

CLICK FLOW

www.oviaUK.com



CLICK FLOW

**MAKES WIRING A LIGHTING CIRCUIT EASY,
USING A COMBINATION OF CONNECTORS,
HUBS & MANAGEMENT BOXES.**

With the emphasis now on flexibility & ease of installation many building design projects are focusing on products & services that can adapt to changing legislation, energy efficiency & the ever changing needs of the client.

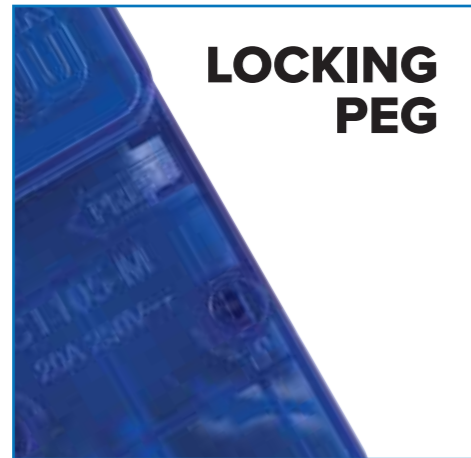
The Lighting Management System has been designed specifically to help contractors create more complex lighting installations quickly, easily & safely. It features a number of products that allow the quick connection, configuration & re-configuration of circuits, primarily intended for lighting.

Flexibility is important as requirements can change & the ability to adapt to these changes quickly & economically is seen as an advantage. The development of this range has evolved as a result of the increasing demand from our customers.

**SIMPLE
CONNECTIVITY
& CONTROL**

FAST FIT CONNECTORS

Time is a key factor during any installation process, therefore our range of Push Fit Connectors with low maintenance terminals not only enhances the existing range but offers installers a time saving benefit because no screws are required! The Fast Fit Click Flow Connectors have push in lever terminals & are compatible with the current range of Click Flow Connectors.



LOCKING PEG

The connector cover unlocks by simply turning the locking peg.



STRIP LENGTH MARKER

Correctly prepare the cable to the optimal length.



TIME SAVING LEVERS

Push in terminals, offer stripped conductor into terminal & release lever, ensuring cable cannot easily be pulled out.



BUILT IN CABLE CLAMPS

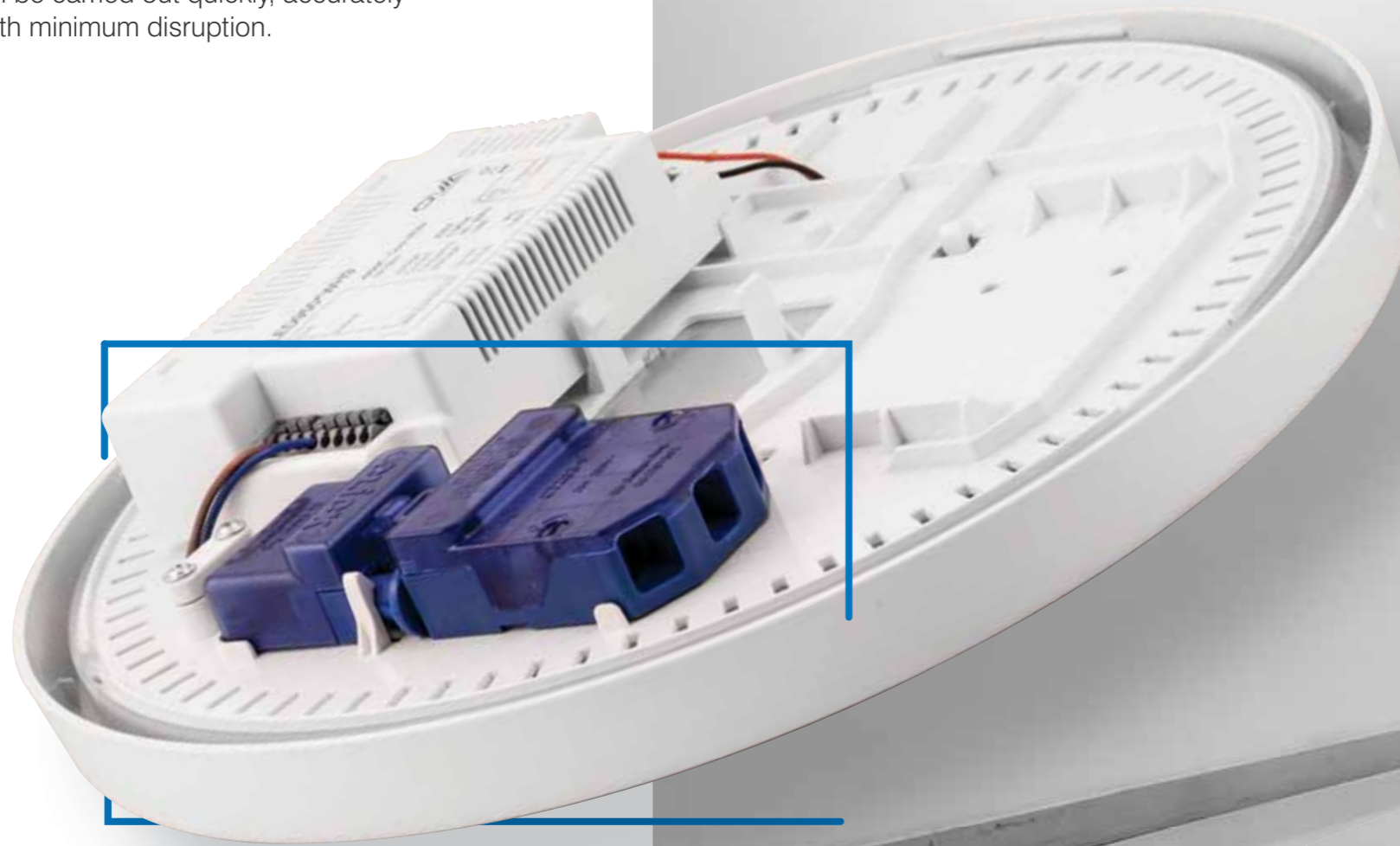
In built on all entry points offering versatility on a range of cable types & sizes, & no screws required.

CUT INSTALL TIME IN HALF



DOMESTIC INSTALLATIONS

Designed to help speed up installation & allow the quick & simple removal of the unit when carrying out routine maintenance, circuit testing or replacing components. This means testing procedures can be carried out quickly, accurately & effectively, with minimum disruption.



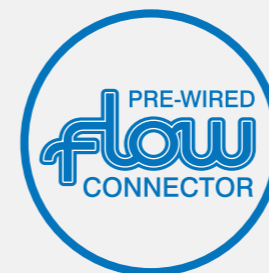
MAKES WIRING A LIGHTING CIRCUIT EASY

6

7

▲ INCEPTOR EVO

Integrated LED Driver prewired to a 4 Pole Click Flow connector to aid the installation & future maintenance.



PRODUCTS FROM THE OVIA® RANGE
FEATURING CLICK FLOW DISPLAY THIS ICON.

DOMESTIC INSTALLATIONS

The Click Flow range works perfectly with multiple products from Ovia®.

Some products within the Ovia® ranges come pre-wired with Click Flow.



INTEGRATED CLICK FLOW CONNECTORS



DOMESTIC APPLICATIONS

Click Flow & Ovia® make wiring a lighting circuit is easy, below is a representation of a domestic installation using a combination of connectors, hubs & management boxes.

The versatile Click Flow with suitability of loads up to 20A means you aren't just limited to lighting.

8 GANG DISTRIBUTION HUB

Ample fixing points to suit any method of installation.

page 22



1 IN 3 OUT HUB

Durable & heavy duty finish to help withstand all installation requirements.

page 24



COMMERCIAL INSTALLATIONS

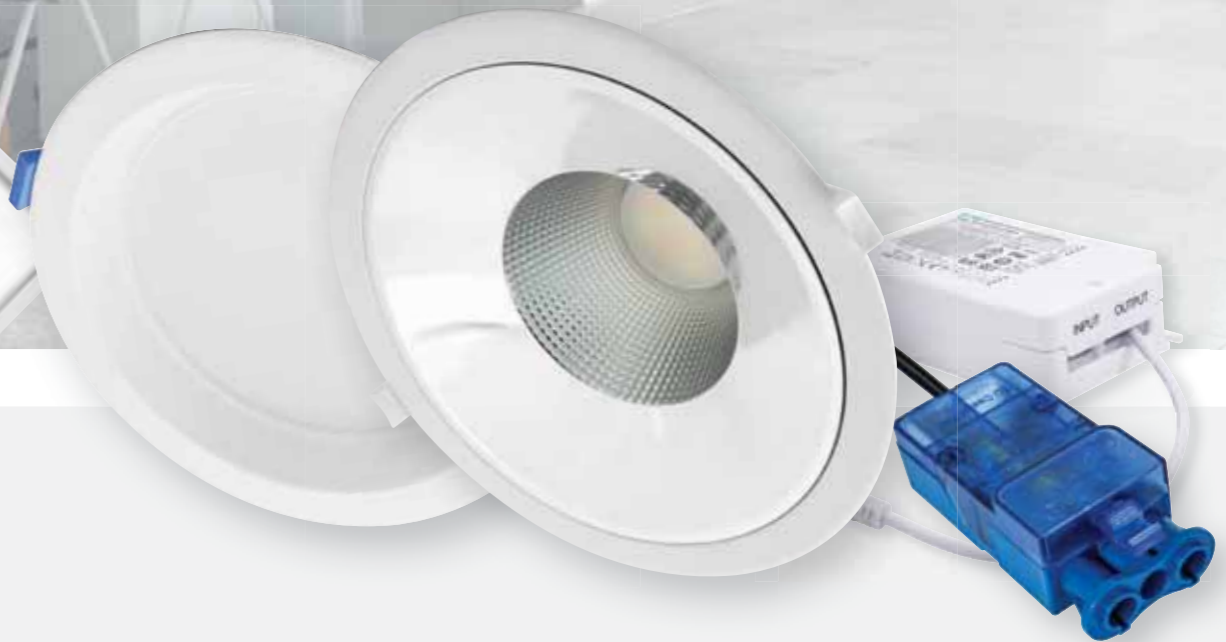
The Click Flow range has been designed specifically to help contractors create more complex lighting installations quickly, easily & safely. It features a number of products that allow the quick connection, configuration & re-configuration of circuits, primarily intended for lighting.

▲ INCEPTOR SLATE

Includes an pre-wired push-fit 3 Pole Click Flow connector for quick and easy installation.



PUSH-FIT CLICK FLOW CONNECTORS



SPRITE & E-SPRITE

The Sprite & E-Sprite include a pre-wired push-fit 3 Pole Click Flow connector for quick and easy installation.

COMMERCIAL APPLICATIONS

Click Flow & Ovia® make wiring a lighting circuit easy, below is a representation of a commercial installation using a combination of connectors, hubs & management boxes.

The versatile Click Flow with suitability of loads up to 20A means you aren't just limited to lighting, Click Flow can be used in offices (large or small), sports halls, exhibitions, kitchens, display lighting, temporary installations, under floor wiring, inside lighting columns instead of a conventional junction box & many more.

SPLITTER



page 25

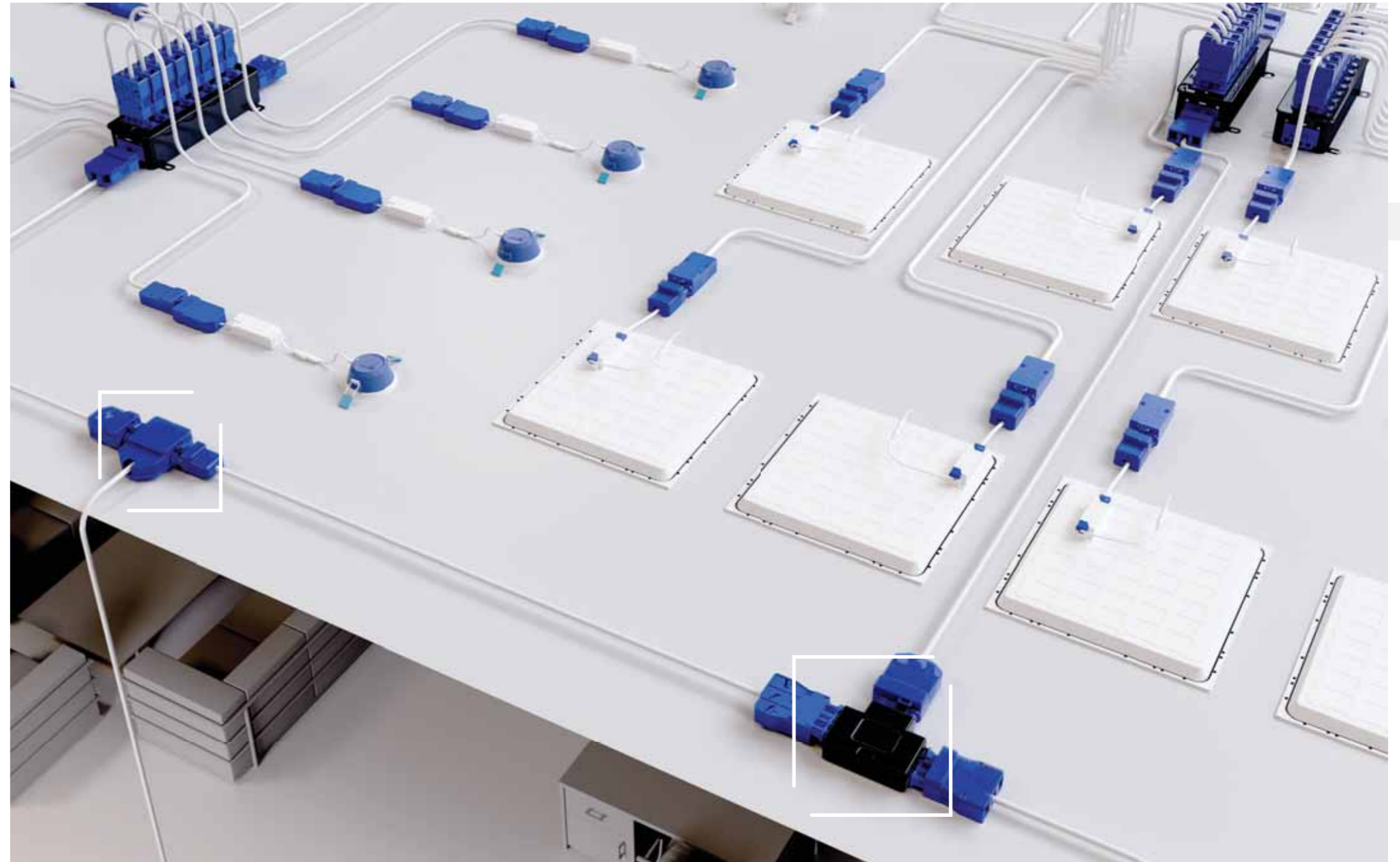
SWITCH ADAPTOR



page 34



CAN BE CONTROLLED OR DIMMED USING SUITABLE PIR SENSORS OR MAINS DIMMERS.



A PREFABRICATED WIRING SOLUTION

Prefabricated wiring systems are typically used in prefabricated houses, installation cavities (such as suspended floors & ceilings), cable tray systems, cable ladder systems, cable ducting systems, cable trunking systems, commercial showrooms, partition walls & in similar applications.

The use & the initial verification of a prefabricated wiring system is carried out according to the national wiring regulations.



A GUIDE TO USE

PREFABRICATED WIRING SYSTEMS ARE DESIGNED TO PROVIDE A RAPID CONNECTION, WHILST GUARANTEEING THE CORRECT CONNECTION.

Prefabricated wiring systems can be used in applications where the quick & easy connection of different parts of the installation is required.

The use of prefabricated wiring systems can help when planning a wiring system, it can help facilitate installation & disconnecting while enabling changes & repairs to be made easily after installation. Prefabricated wiring systems might employ rigid or flexible cables which are intended to be connected & disconnected without a current flowing.



APPLICATIONS

PREFABRICATED WIRING SYSTEMS MAKE THE INSTALLATION WORK QUICKER THAN USING MORE TRADITIONAL METHODS.

In housebuilding, prefabricated wiring systems can have a role when houses are assembled from prefabricated elements. In buildings or structures prefabricated wiring systems are used in suspended floors & ceilings. In this kind of system, the flexibility of the installation is achieved by using a prefabricated wiring system because fitments & furnishing of the rooms are easily changeable.

Installation couplers can be a part or a component of equipment & not just a method of connecting cables. Separate luminaires are a typical group of electrical equipment & can be easily linked to a comprehensive lighting system by using a prefabricated wiring system. Machinery commonly consists of different units all connected to each other by a prefabricated wiring system. Typical examples are air conditioners & heat recovery units, which have separate motors, control units & pumps.

LIGHTING DESIGN SERVICE

WE OFFER A DEDICATED LIGHTING DESIGN SERVICE.

CUSTOMERS CAN ACCESS FREE LIGHTING DESIGN SCHEMES FOR THEIR COMMERCIAL PROJECTS.

The free service is available to electrical contracting companies, M&E consultants and anyone involved in the specification of lighting and lighting control equipment.

Providing expertise in selecting the right products and solutions, to create a scheme that meets all the requirements and objectives of the project in question, and that is compliant with all the relevant regulations and standards.



The lighting design request will normally come through the Ovia® area sales managers, who will be actively promoting the service and will be the first point of contact to field the inquiry. An Ovia® Pre-qualification Form will need to be completed for each request, with the aim of gathering as much relevant information as possible about the project and any specific requirements. Where necessary a site visit will take place.

With all the relevant information gathered, including drawings and specifications, and taking into consideration the customer's requirements together with the latest legislations and guidelines, a Lighting Design Proposal will be prepared. A schedule of lighting and lighting controls will be shared with the Ovia® internal sales team who will prepare a quotation. The Lighting Design Proposal and prepared quotation will be sent back to the Ovia® sales team member and the quote will then either go through the wholesaler of choice, or the inquiry will be directed through one of Ovia's supporting Elite stockists.

LIGHTING DESIGN FILES

At Ovia® we are committed to support you on & off the job, we have made things easy for you by providing you direct access to all of our lighting design files (.ldt). The library is conveniently grouped into categories which is available on our website, oviaUK.com.

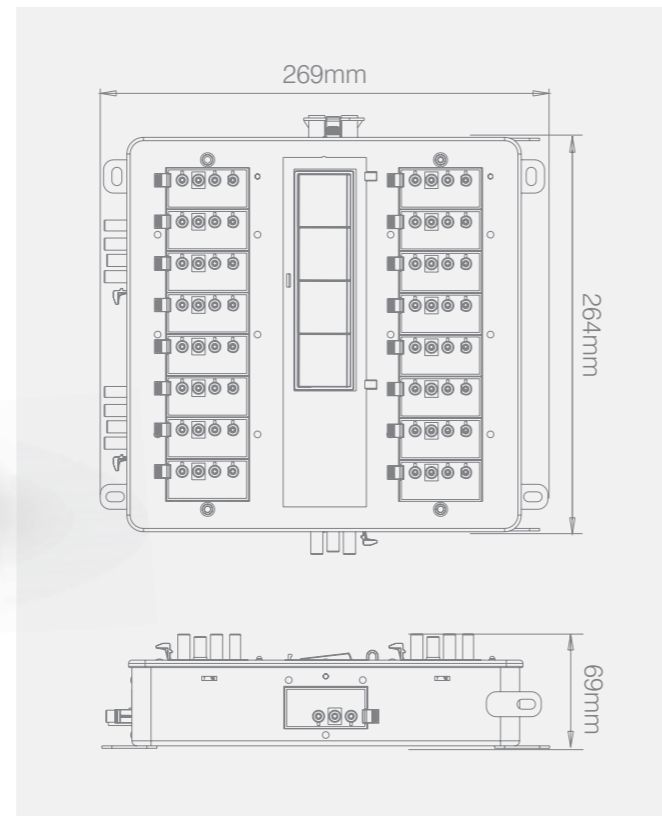
LIGHTING MANAGEMENT BOX



Designed to help contractors create more complex lighting installations quickly, easily & safely. Built-in selectable switching configurations save time in the planning & fitting stages of a project. Take control of up to 16 lights (24 using the CT350), with three different switching configurations, & easily add a switched live into a Click Flow circuit.

CT1016

250V 20A 16 WAY LIGHTING MANAGEMENT BOX



STANDARDS: BS 8488, BS EN 61535, BS 5733

LOAD RATING (A): 20

DIMENSIONS (mm): 264 (W) x 269 (L) x 69 (D)

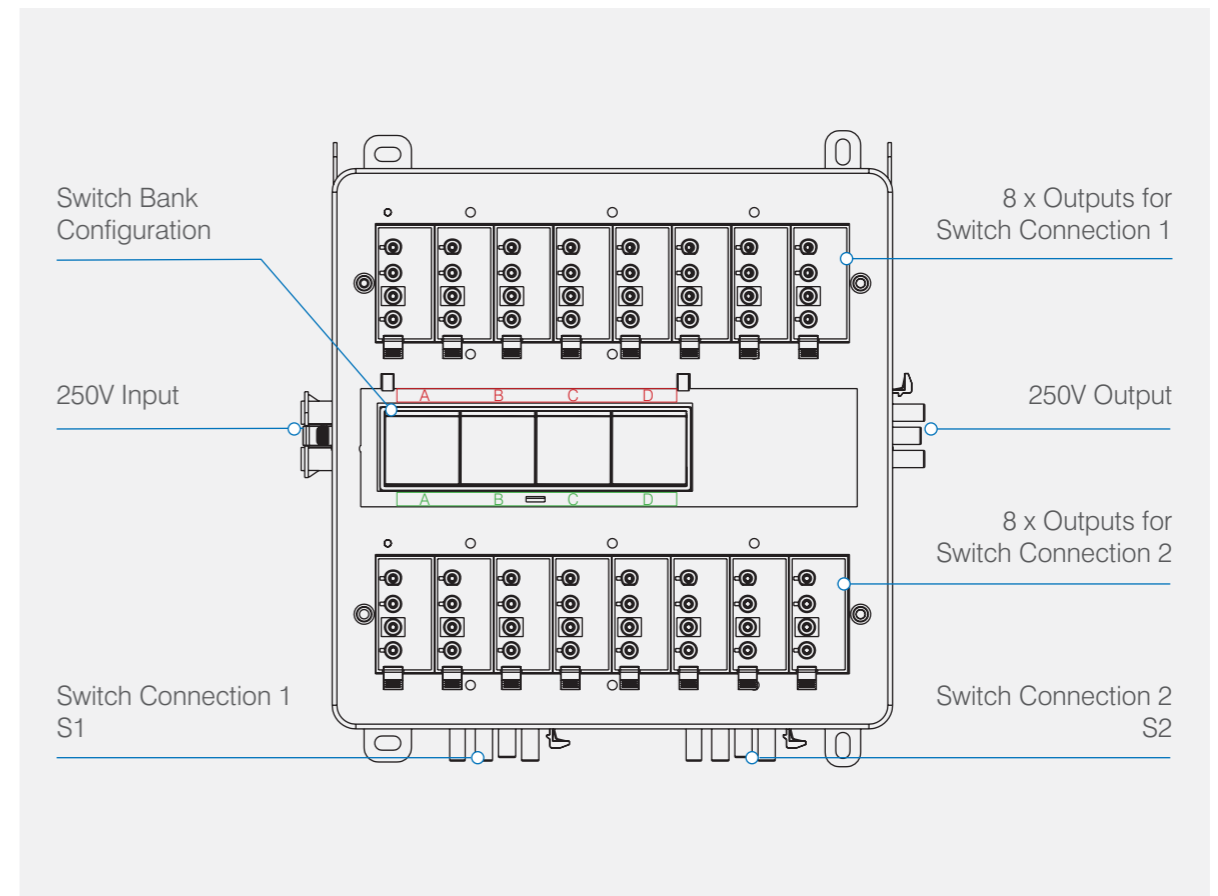
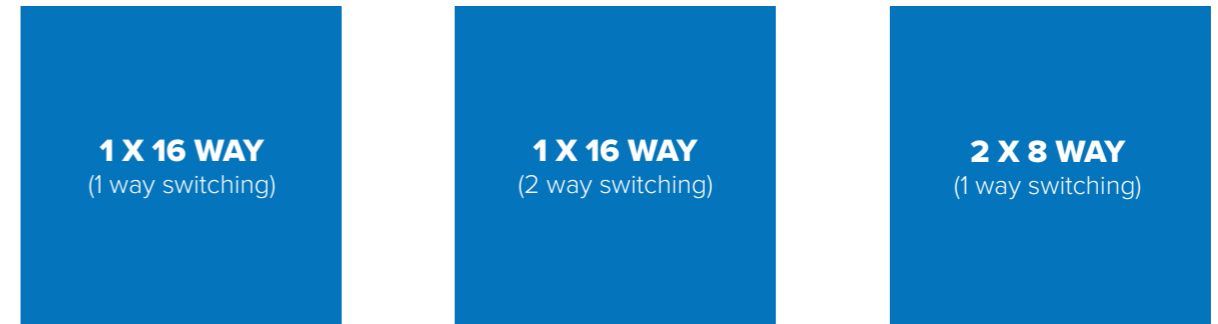
CHANGEABLE SWITCH MODES

Built-in selectable switching configurations save time in the planning & fitting stages. If requirements should change it can be easily altered to suit.

CONNECTORS ARE SUPPLIED

Supplied with 3 pole input connector & 2 x 4 pole switch input.

ADDITIONAL OUTPUT ALLOWS INTERLINKING OR PROVIDES ADDITIONAL WAY



SWITCH CONFIGURATION	A	B	C	D	S1	S2
2 Way 16 Gang	○	○	○	○		
2 X 8 Gang	○	○	○	○		
1 X 16 Gang	○	○	○	○		

DISTRIBUTION BOX



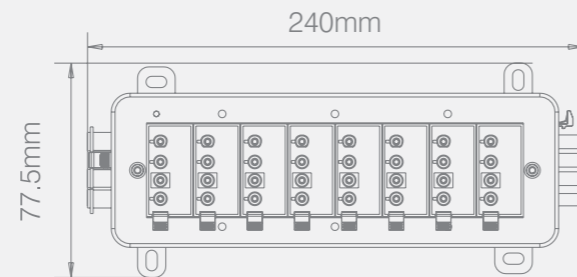
The 8 Gang Click Flow Distribution Hub has been designed to help contractors create more complex lighting installations quickly, easily & safely. Connect up to 8 lights (16 using the CT350), or you can connect another CT1008 to the output at the end.



CT1008

250V 20A 8 WAY DISTRIBUTION BOX

Additional output allows interlinking or provides additional way.



DIMENSIONS (mm): 77.5 (W) x 240 (L) x 52 (D)

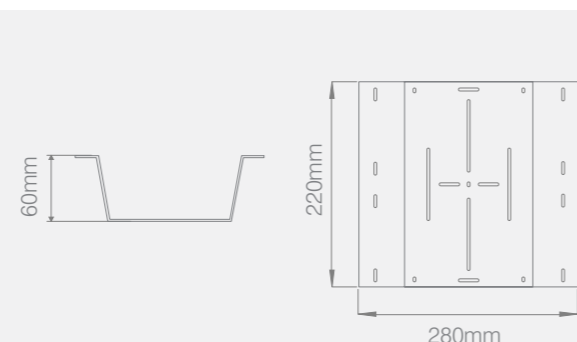
STANDARDS: BS 8488, BS EN 61535, BS 5733



LOAD RATING (A): 20

SP1016

MOUNTING TRAY FOR CT1016 & CT1008



DIMENSIONS (mm): 280 (W) x 220 (H) x 60 (D)

1 X 8 WAY CONFIGURATION

Utilises male & female Click Flow connector options & wired in conjunction with splitters & adaptors.

AMPLE FIXING POINTS

Suitable for any method of installation.

CONTROLLED & DIMMED

Controlled or dimmed using suitable PIR sensors or mains dimmers.

DURABLE HEAVY DUTY FINISH

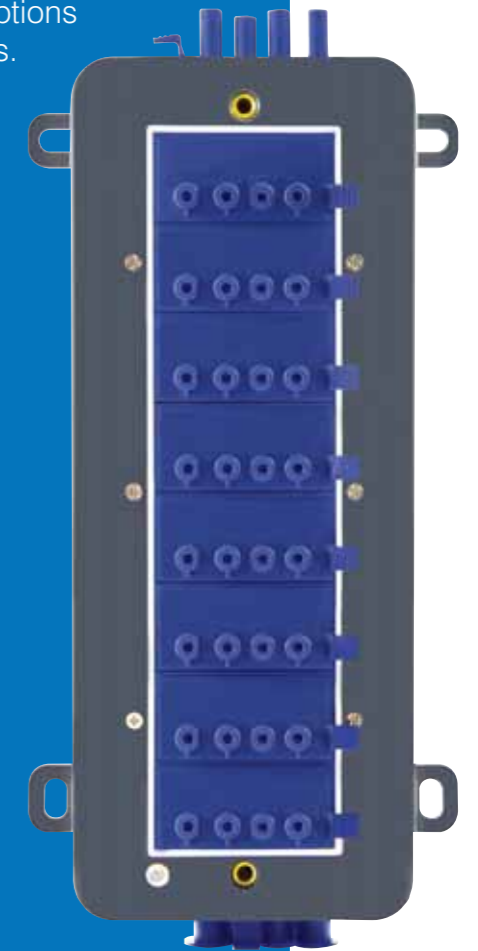
Withstands all installation requirements.

SUITABLE FOR LOADS UP TO 20A

Use for more than just lighting!

ADDITIONAL 8 WAYS

Using CT350 splitter.

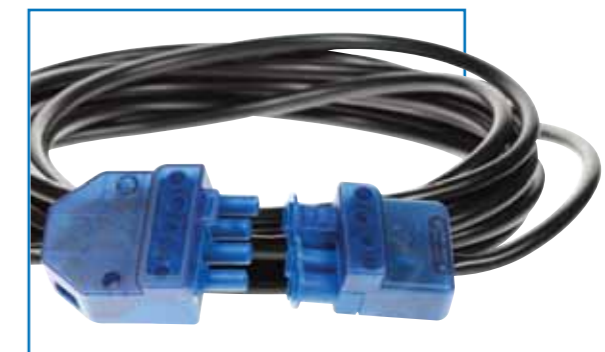


PRE-WIRED LINK CABLES

The addition of a Pre-Wired Link Cable provides a quick & easy solution when adding additional lighting or appliances to an existing Click Flow circuit.



LOW SMOKE ZERO HALOGEN



6A 4 POLE

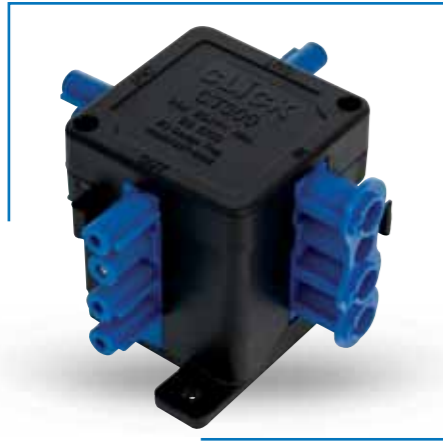
Pre-wired with CT202C.

CABLE SIZE (mm²): 4 x 0.75
 LOAD RATING (A): 6
 MIN APERTURE DIA (mm): 55
 STANDARDS: BS EN 61535, BS 5733, BS EN 50525-3-11

HUBS & SPLITTERS

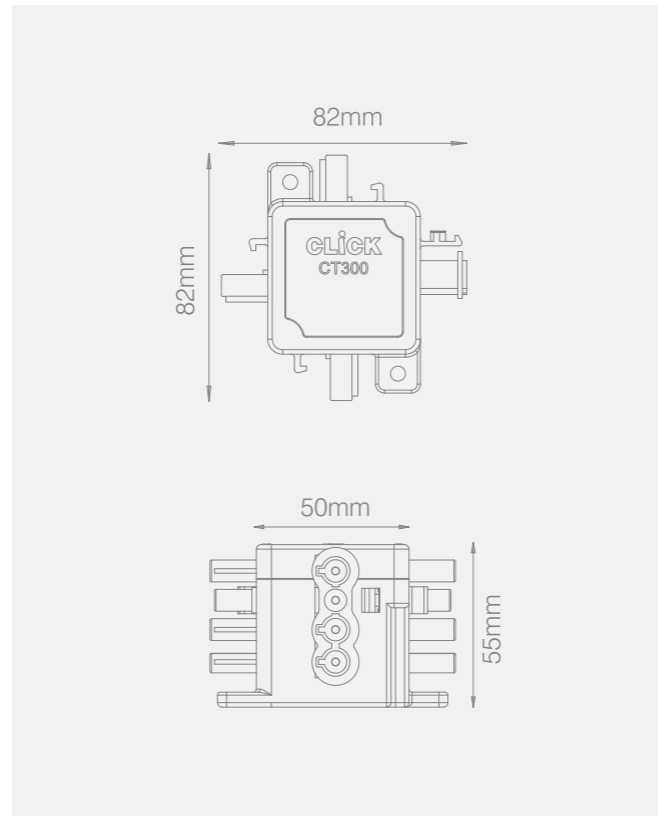


Provides flexibility, which is important as requirements can change, the ability to add further outputs quickly without tools is a huge professional advantage, (can be linked up to 20A).



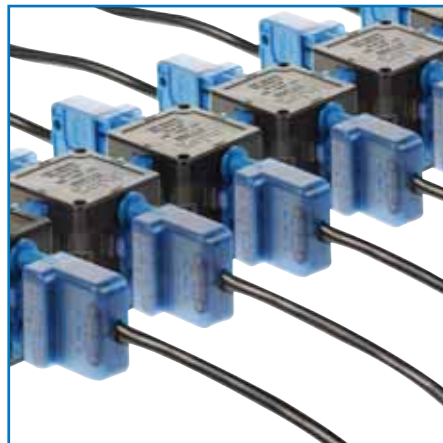
CT300

250V 20A 4 POLE (1 IN 3 OUT) HUB JUNCTION BOX



DIMENSIONS (mm): 82 (W) x 82 (D) x 55 (H)

STANDARDS: BS 8488, BS EN 61535, BS 5733



LOAD RATING (A): 20

QUICK & EASY

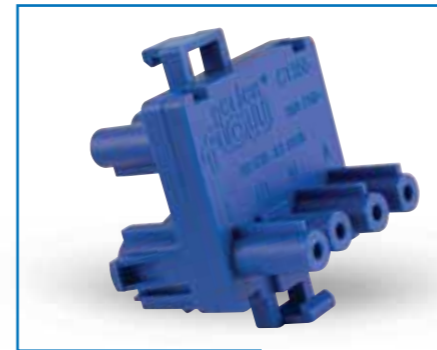
Provides installers with the perfect solution when adding lighting or appliances to an existing circuit.

DIRECT CONNECTION

The Hub can be connected directly to another Hub or via the link cables.

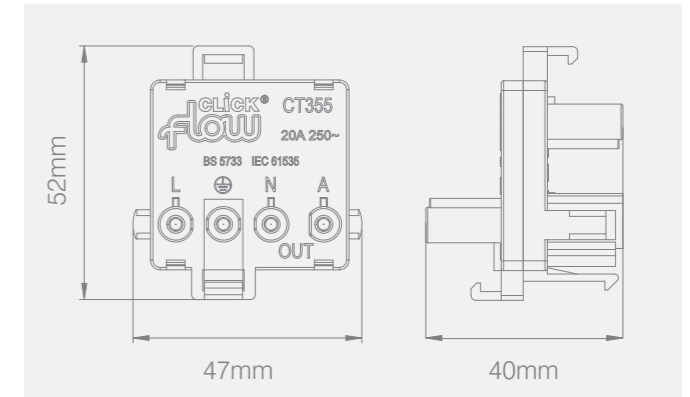
CT355

250V 20A 4 POLE (1 IN 2 OUT) COMPACT SPLITTER



STANDARDS: BS 8488, BS EN 61535, BS 5733

LOAD RATING (A): 20



DIMENSIONS (mm): 52 (W) x 47 (D) x 40 (H)

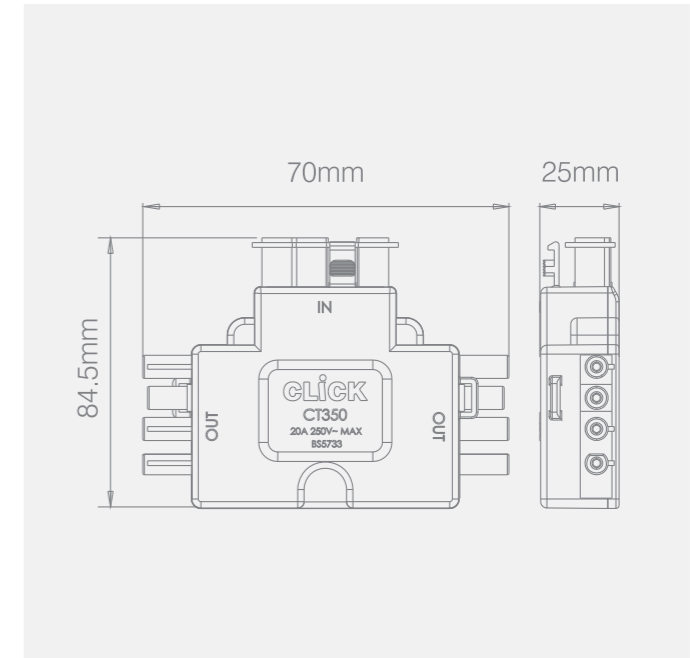


STANDARDS: BS 8488, BS EN 61535, BS 5733

LOAD RATING (A): 20

CT350

250V 20A 4 POLE SPLITTER (1 IN 2 OUT)



DIMENSIONS (mm): 84.5 (W) x 70 (D) x 25 (H)

SLIMLINE

Specifically designed to be slimline so that it can be used with the lighting management boxes or split any circuit.

VERSATILE, EASY-CONNECTION SYSTEM

Allows up to double the amount of ways & has an easy lock & release mechanism.

3 POLE PUSH FIT CONNECTORS



3 Pole Fast Fit Plug-in Connectors offering loop-in & out facility with large terminals each accepting up to 2.5mm² Max. They have cable grips for where the installation limits the fixing of the connector. All feature fast fit cable clamps & quick release lockable covers.



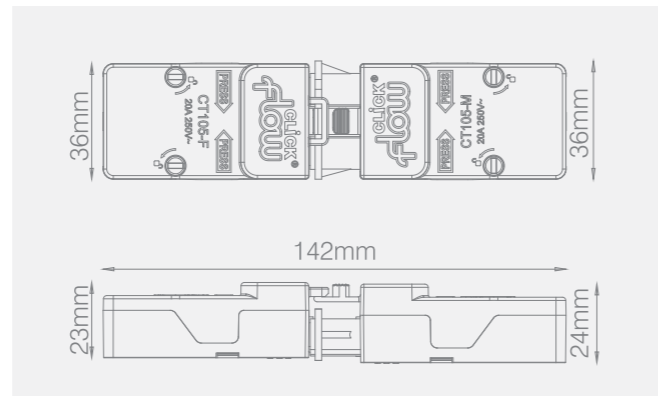
STANDARDS: BS EN 61535



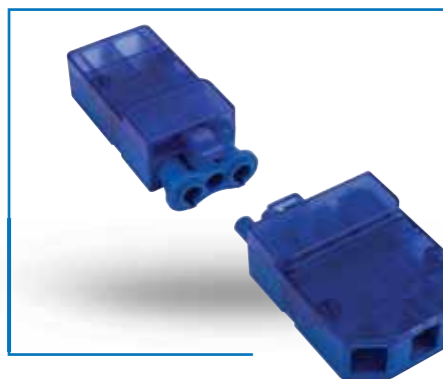
CABLE SIZE (mm²): 2.5 (Max.)
LOAD RATING (A): 20
MIN APERTURE DIA (mm): 40

CT105C

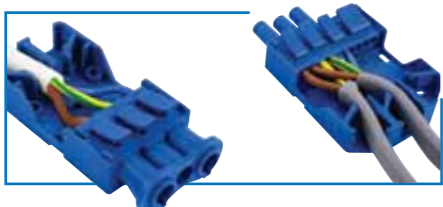
250V 20A 3 POLE COMPLETE PUSH FIT CONNECTOR (CT105M & CT105F)



MALE (mm): 79 (W) x 36 (D) x 24 (H)
FEMALE (mm): 79 (W) x 36 (D) x 23 (H)



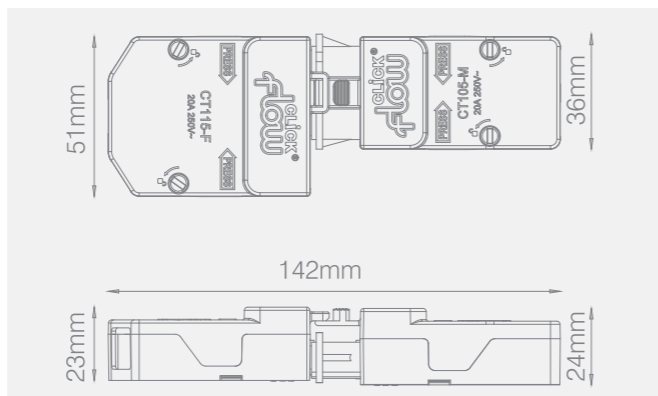
STANDARDS: BS EN 61535



CABLE SIZE (mm²): 2.5 (Max.)
LOAD RATING (A): 20
MIN APERTURE DIA (mm): 55

CT115C

250V 20A 3 POLE COMPLETE PUSH FIT CONNECTOR WITH LOOP (CT105M & CT115F)



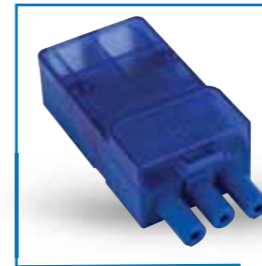
MALE (mm): 79 (W) x 36 (D) x 24 (H)
FEMALE (mm): 79 (W) x 51 (D) x 23 (H)

250V 20A 3 POLE FEMALE PUSH FIT CONNECTOR

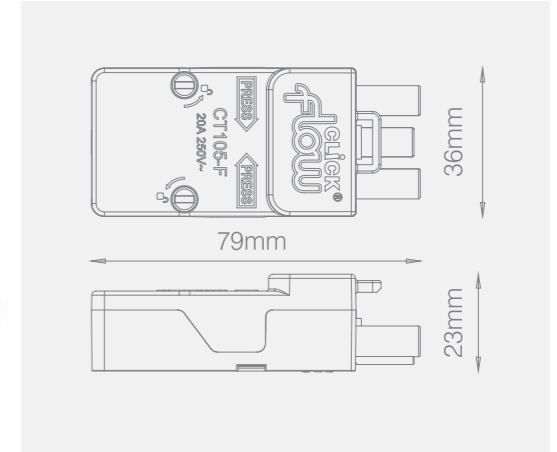
CT105F



STANDARDS: BS EN 61535



CABLE SIZE (mm²): 2.5 (Max.)
LOAD RATING (A): 20
MIN APERTURE DIA (mm): 40



DIMENSIONS (mm): 79 (W) x 36 (D) x 23 (H)

250V 20A 3 POLE MALE PUSH FIT CONNECTOR

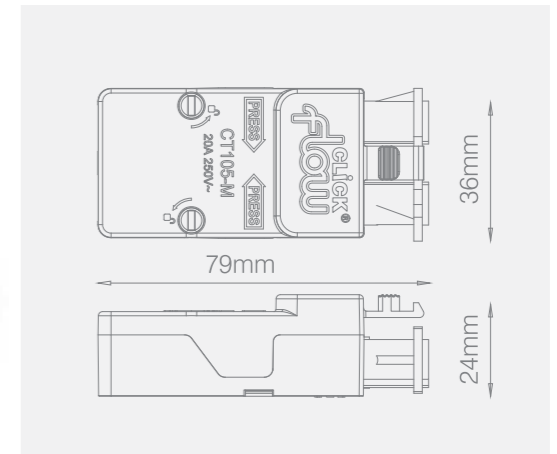
CT105M



STANDARDS: BS EN 61535



CABLE SIZE (mm²): 2.5 (Max.)
LOAD RATING (A): 20
MIN APERTURE DIA (mm): 40



DIMENSIONS (mm): 79 (W) x 36 (D) x 24 (H)

250V 20A 3 POLE FEMALE PUSH FIT CONNECTOR WITH LOOP

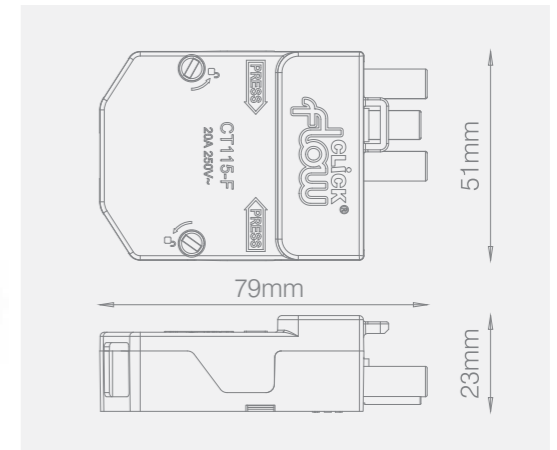
CT115F



STANDARDS: BS EN 61535



CABLE SIZE (mm²): 2.5 (Max.)
LOAD RATING (A): 20
MIN APERTURE DIA (mm): 55



DIMENSIONS (mm): 79 (W) x 51 (D) x 23 (H)

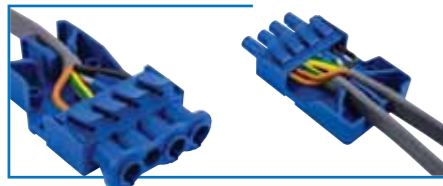
4 POLE PUSH FIT CONNECTORS



4 pole Fast Fit Plug-in Connectors with Auxiliary terminals & loop. Auxiliary provides the opportunity for a second switched live or permanent feed for use typically with emergency lighting applications. All feature fast fit cable clamps & quick release lockable covers.



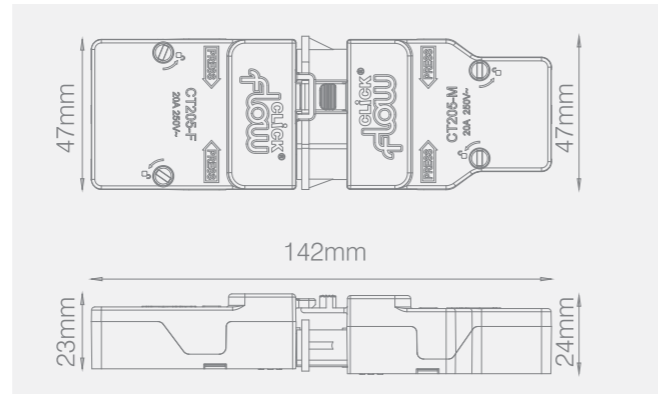
STANDARDS: BS EN 61535



CABLE SIZE (mm²): 2.5 (Max.)
LOAD RATING (A): 20
MIN APERTURE DIA (mm): 50

CT205C

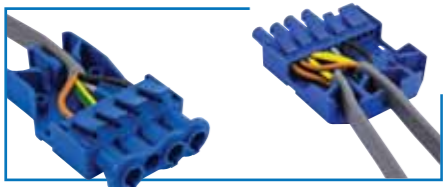
250V 20A 4 POLE COMPLETE PUSH FIT CONNECTOR (CT205M & CT205F)



MALE (mm): 79 (W) x 47 (D) x 24 (H)
FEMALE (mm): 79 (W) x 47 (D) x 23 (H)



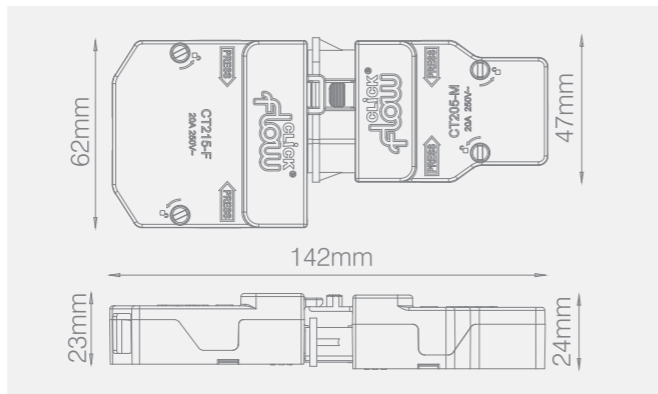
STANDARDS: BS EN 61535



CABLE SIZE (mm²): 2.5 (Max.)
LOAD RATING (A): 20
MIN APERTURE DIA (mm): 65

CT215C

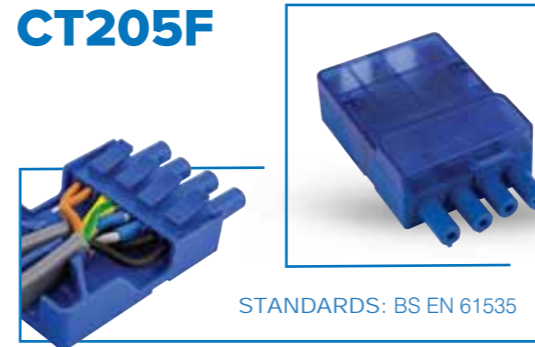
250V 20A 4 POLE COMPLETE PUSH FIT CONNECTOR WITH LOOP (CT205M & CT215F)



MALE (mm): 79 (W) x 47 (D) x 24 (H)
FEMALE (mm): 79 (W) x 62 (D) x 23 (H)

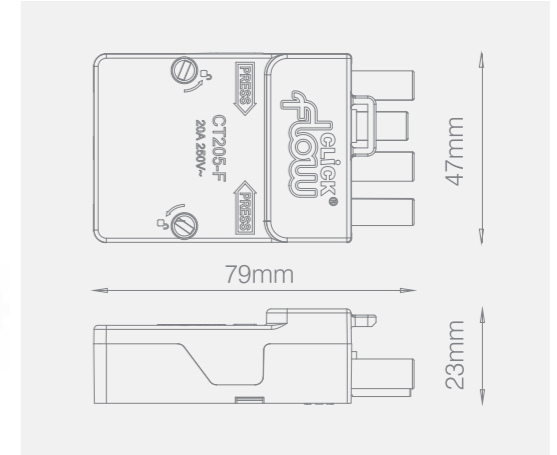
250V 20A 4 POLE FEMALE PUSH FIT CONNECTOR

CT205F



STANDARDS: BS EN 61535

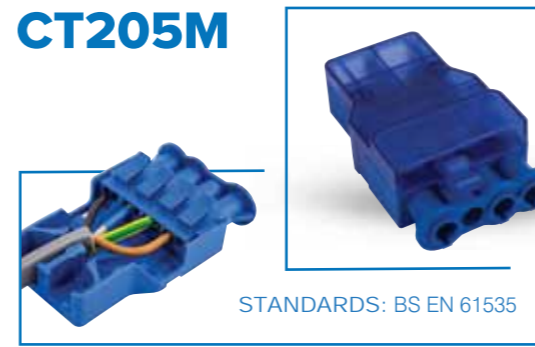
CABLE SIZE (mm²): 2.5 (Max.)
LOAD RATING (A): 20
MIN APERTURE DIA (mm): 50



DIMENSIONS (mm): 79 (W) x 47 (D) x 23 (H)

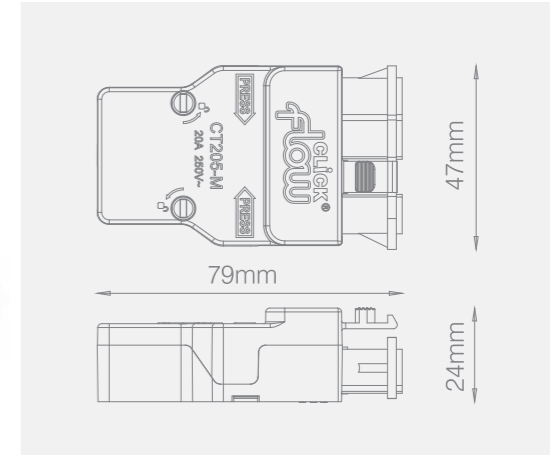
250V 20A 4 POLE MALE PUSH FIT CONNECTOR

CT205M



STANDARDS: BS EN 61535

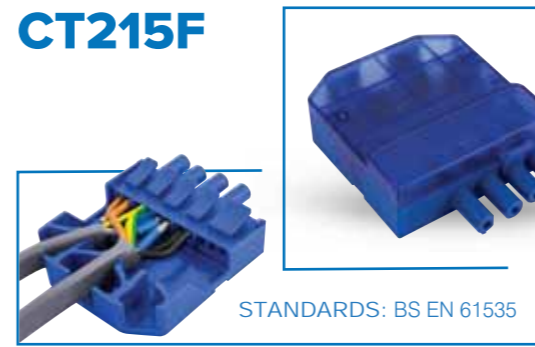
CABLE SIZE (mm²): 2.5 (Max.)
LOAD RATING (A): 20
MIN APERTURE DIA (mm): 50



DIMENSIONS (mm): 79 (W) x 47 (D) x 24 (H)

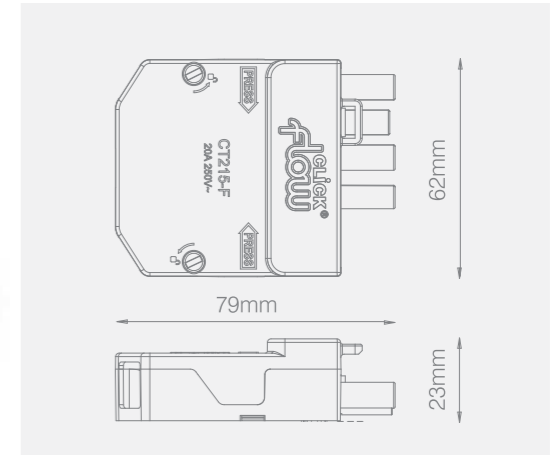
250V 20A 4 POLE FEMALE PUSH FIT CONNECTOR WITH LOOP

CT215F



STANDARDS: BS EN 61535

CABLE SIZE (mm²): 2.5 (Max.)
LOAD RATING (A): 20
MIN APERTURE DIA (mm): 65



DIMENSIONS (mm): 79 (W) x 62 (D) x 23 (H)

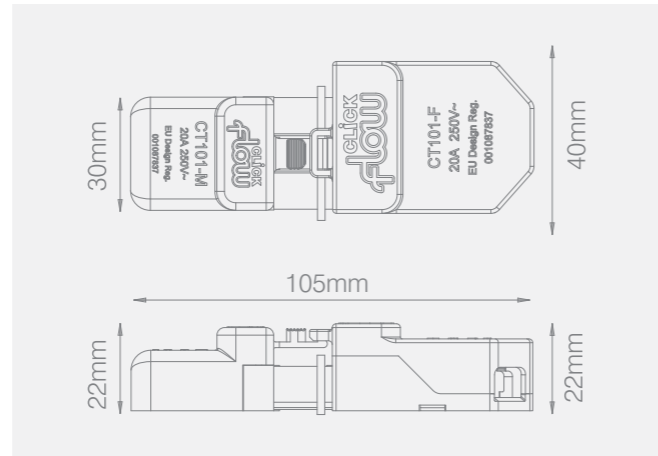
3 POLE CONNECTORS



CT101C

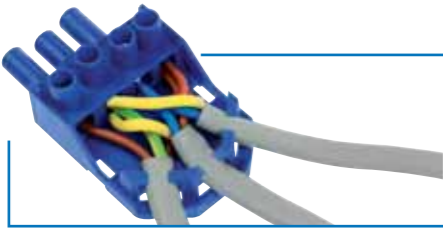
250V 20A 3 POLE CONNECTOR

Cord restraint is fitted within the male connector.



MALE (mm): 52 (W) x 30 (D) x 22 (H)
 FEMALE (mm): 68 (W) x 40 (D) x 22 (H)

STANDARDS: BS 5733



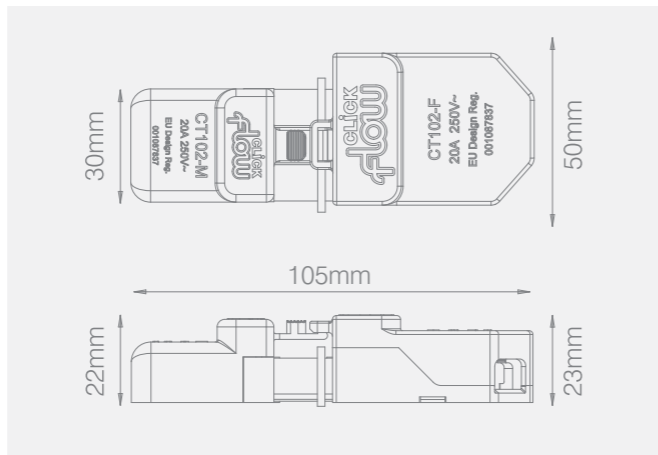
CABLE SIZE (mm²): 3 x 2.5
 LOAD RATING (A): 20
 MIN APERTURE DIA (mm): 46



CT102C

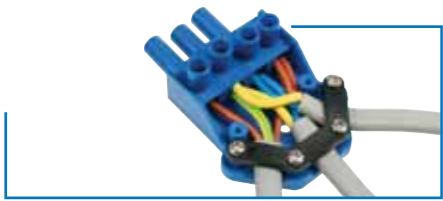
250V 20A 3 POLE CONNECTOR SCREW-DOWN CORD GRIP

Screw cord restraints & covers fitted on both male & female connectors.



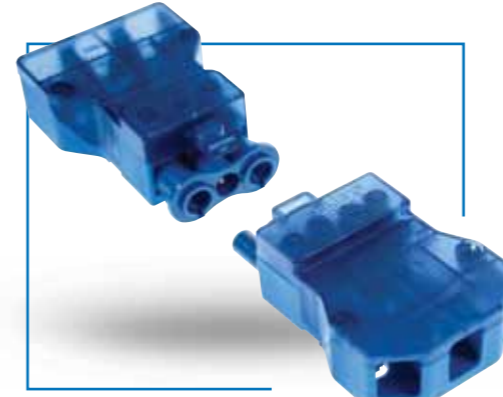
MALE (mm): 52 (W) x 30 (D) x 22 (H)
 FEMALE (mm): 67 (W) x 50 (D) x 23 (H)

STANDARDS: BS EN 61535, BS 5733



CABLE SIZE (mm²): 3 x 2.5
 LOAD RATING (A): 20
 MIN APERTURE DIA (mm): 55

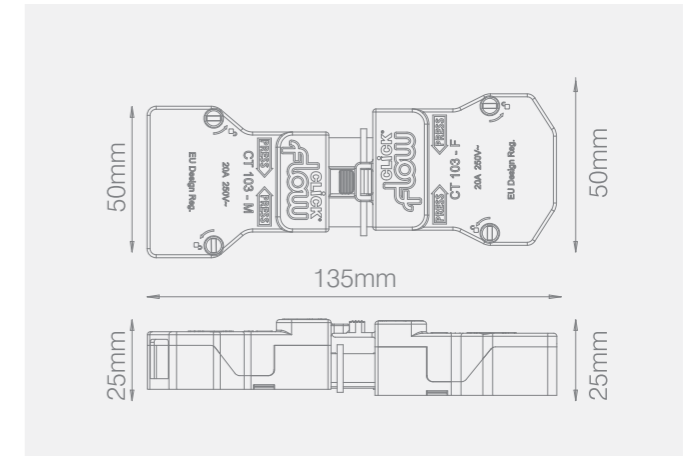
3 Pole Plug-in Connectors offering quick connection, configuration & re-configuration of circuits, primarily intended for lighting. Loop-in & out facility with large terminals accepting up to 3 x 2.5mm². They have cable grips for where the installation limits the fixing of the connector.



CT103C

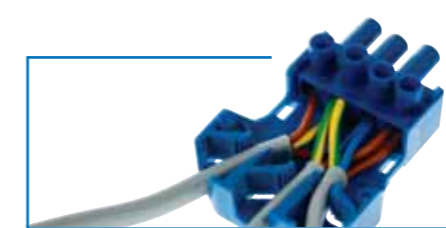
250V 20A 3 POLE CONNECTOR FAST FIT CORD GRIP

Fast fit cable clamps & quick release lockable covers.



MALE (mm): 73 (W) x 50 (D) x 25 (H)
 FEMALE (mm): 75 (W) x 50 (D) x 25 (H)

STANDARDS: BS EN 61535, BS 5733



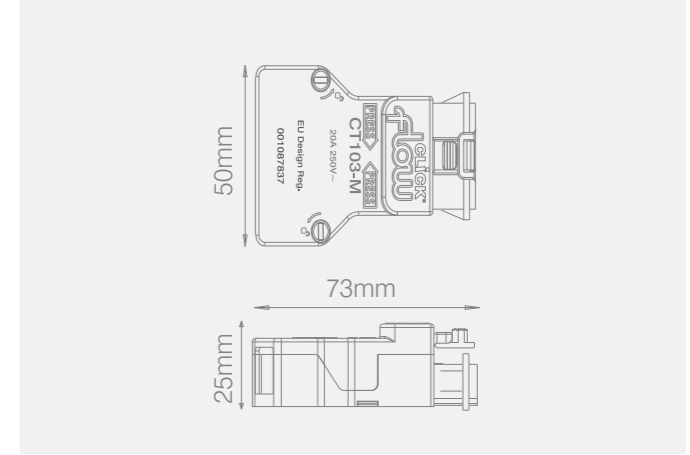
CABLE SIZE (mm²): 3 x 2.5
 LOAD RATING (A): 20
 MIN APERTURE DIA (mm): 55



CT103M

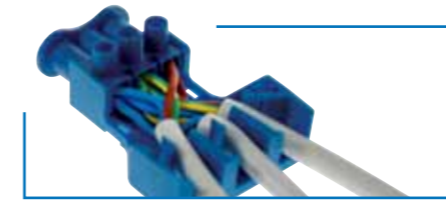
250V 20A 3 POLE FAST FIT CORD GRIP (MALE CONNECTOR ONLY)

Fast fit cable clamps & quick release lockable covers.



DIMENSIONS (mm): 73 (W) x 50 (D) x 25 (H)

STANDARDS: BS EN 61535, BS 5733



CABLE SIZE (mm²): 3 x 2.5
 LOAD RATING (A): 20
 MIN APERTURE DIA (mm): 55

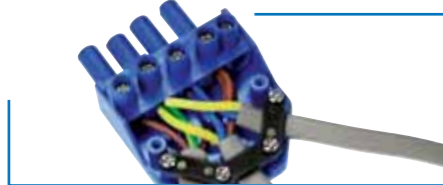
4 POLE CONNECTORS



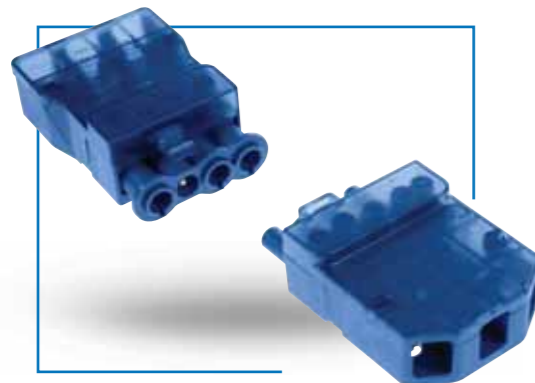
4 pole Plug-in Connectors with Auxiliary terminals & loop. Auxiliary provides the opportunity for a second switched live or permanent feed for use typically with emergency lighting applications.



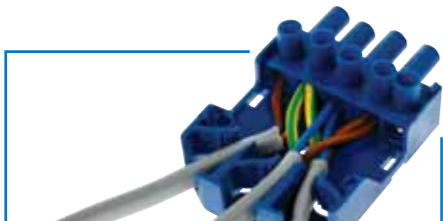
STANDARDS: BS EN 61535, BS 5733



CABLE SIZE (mm²): 3 x 2.5
LOAD RATING (A): 20
MIN APERTURE DIA (mm): 55



STANDARDS: BS EN 61535, BS 5733

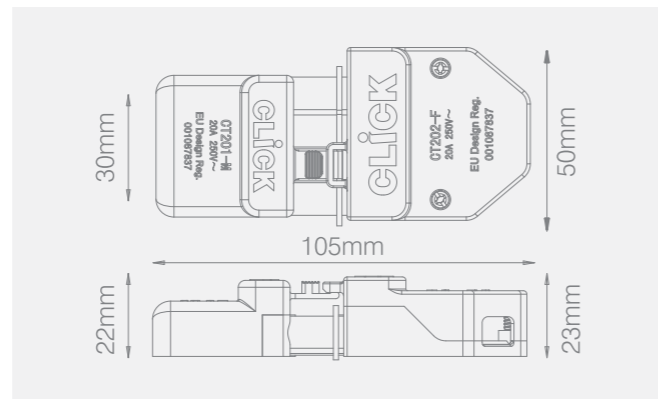


CABLE SIZE (mm²): 3 x 2.5
LOAD RATING (A): 20
MIN APERTURE DIA (mm): 55

CT202C

250V 20A 4 POLE CONNECTOR
SCREW-DOWN CORD GRIP

Screw cord restraints & covers fitted on both male & female connectors.

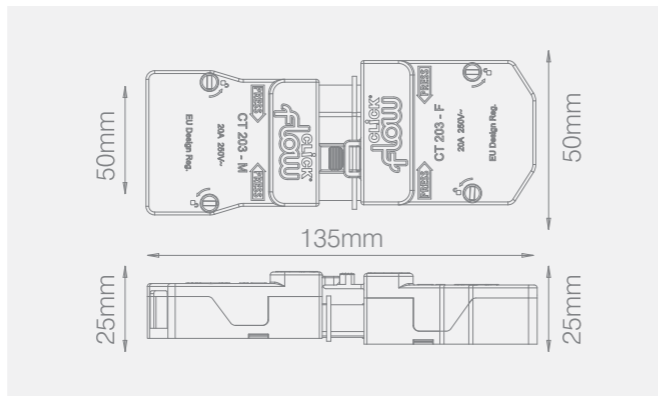


MALE (mm): 54 (W) x 30 (D) x 22 (H)
FEMALE (mm): 69 (W) x 50 (D) x 23 (H)

CT203C

250V 20A 4 POLE CONNECTOR
FAST FIT CORD GRIP

Fast fit cable clamps & quick release lockable covers.

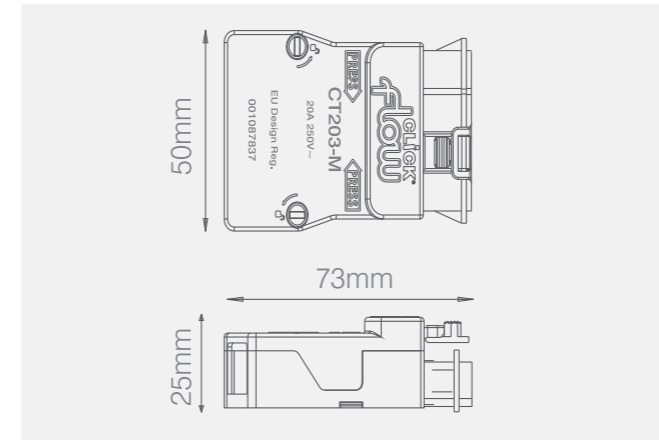


MALE (mm): 73 (W) x 50 (D) x 25 (H)
FEMALE (mm): 75 (W) x 50 (D) x 25 (H)

CT203M

250V 20A 4 POLE FAST FIT CORD GRIP
(MALE CONNECTOR ONLY)

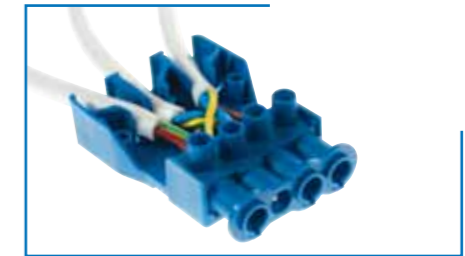
Fast fit cable clamps & quick release lockable covers.



DIMENSIONS (mm): 73 (W) x 50 (D) x 25 (H)



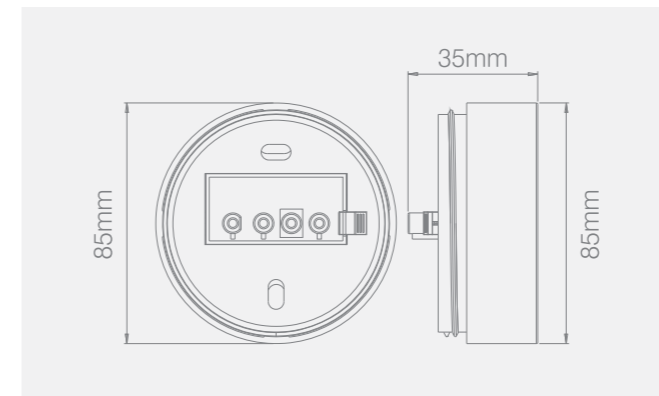
STANDARDS: BS EN 61535, BS 5733



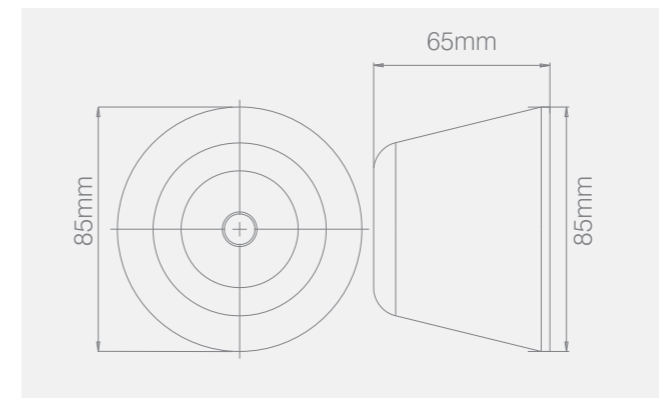
CABLE SIZE (mm²): 3 x 2.5
LOAD RATING (A): 20
MIN APERTURE DIA (mm): 55

The Click Flow Ceiling Rose & Cover provide flexibility, important as requirements can change, the ability to gain additional outs quickly is a huge professional advantage.

250V 20A 4 POLE CEILING ROSE (WITHOUT COVER)



CT1400 CEILING ROSE COVER



ROSE (mm): 85 (Dia) x 35 COVER (mm): 85 (Dia) x 65



STANDARDS: BS 8488, BS EN 61535, BS 5733



Recommended connectors: 3 Pole CT101C & 4 Pole CT202C. Not suitable for use with CT103 & CT203.

CABLE SIZE (mm²): 3 x 2.5
LOAD RATING (A): 20

SWITCH ADAPTERS



We recognise that your time is money, with easy access large terminals & fast connection, pre-wired with Earth, Neutral & Auxiliary links, our plug-in switch adaptor easily adds a switched live into a Click Flow circuit where access to an auxiliary output & input is required.

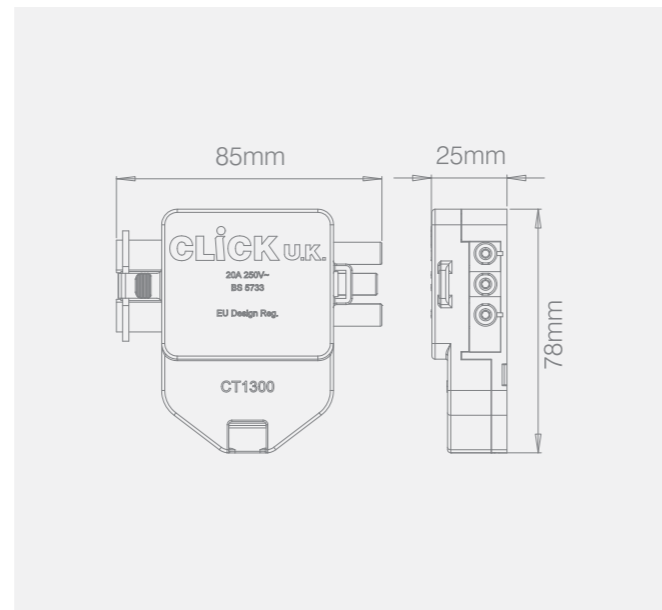
CT1300

250V 20A 3 POLE SWITCH ADAPTOR



STANDARDS: BS 8488, BS EN 61535, BS 5733

LOAD RATING (A): 20



DIMENSIONS (mm): 78 (W) x 85 (D) x 25 (H)

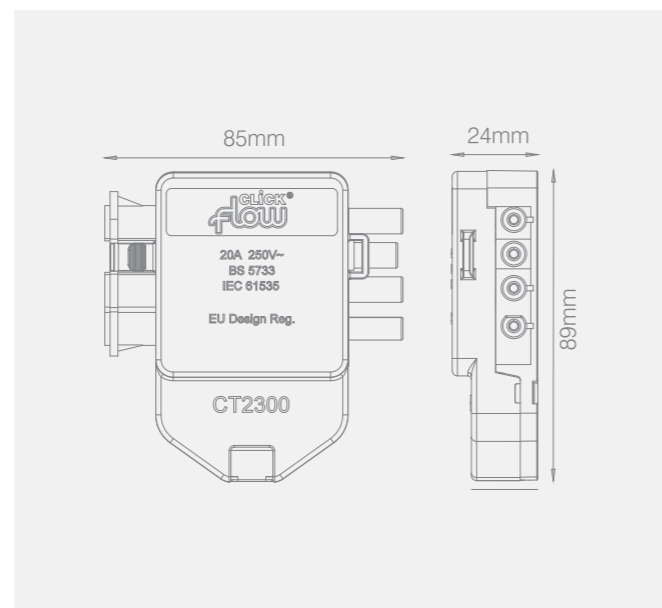
CT2300

250V 20A 4 POLE SWITCH ADAPTOR

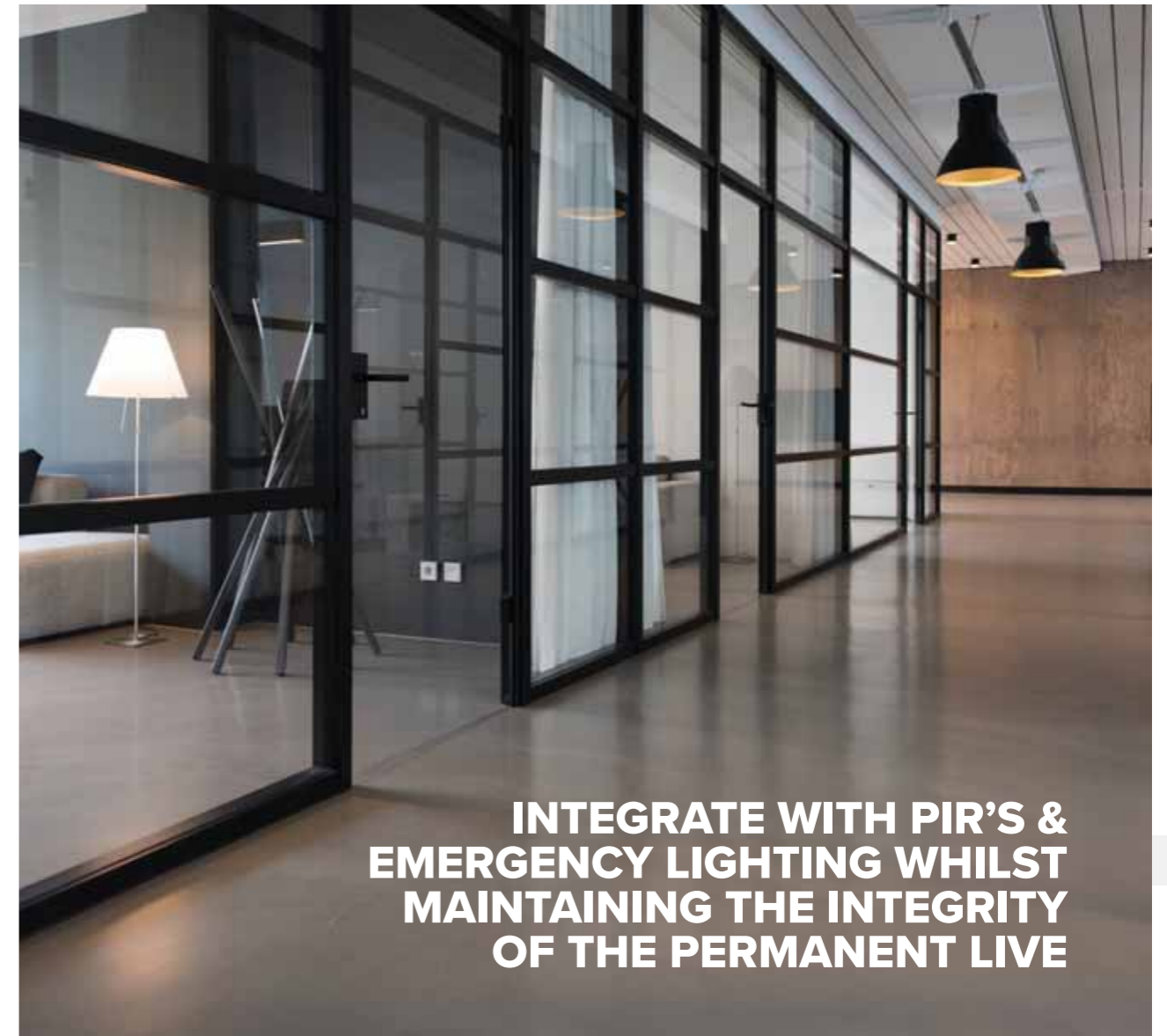


STANDARDS: BS 8488, BS EN 61535, BS 5733

LOAD RATING (A): 20



DIMENSIONS (mm): 89 (W) x 85 (D) x 24 (H)



INTEGRATE WITH PIR'S & EMERGENCY LIGHTING WHILST MAINTAINING THE INTEGRITY OF THE PERMANENT LIVE

QUICK & EASY

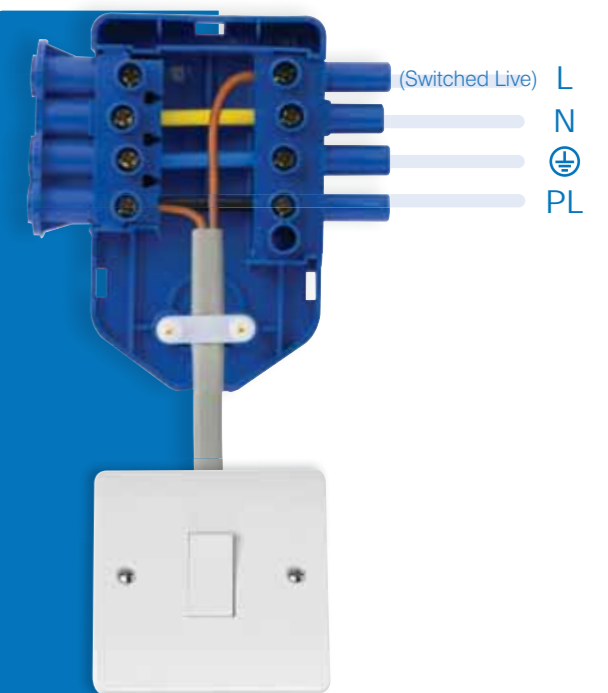
Pre-wired 1.5mm² with Earth Neutral & Auxiliary links & a loop facility. Large terminals with easy access & terminal screws supplied raised.

SIMPLE INSTALLATION

Use with link cables for easier installation.

VERSATILE, EASY CONNECTION SYSTEM

Easy lock & release mechanism on the covers. In built cable grips for security on a range of cable types & sizes.

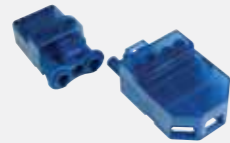


PRODUCT RANGE

Our 3 & 4 Pole Click Flow connectors make wiring a lighting circuit easy, our new Fast Fit versions are screwless making install even quicker!

3 POLE CONNECTORS

CT101C
250V 20A 3 Pole Connector



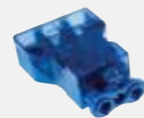
CT102C
250V 20A 3 Pole Connector Screw-Down Cord Grip



CT103C
250V 20A 3 Pole Connector Fast Fit Cord Grip

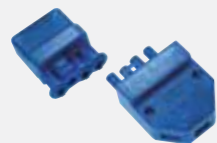


CT103M
250V 20A 3 Pole Fast Fit Cord Grip (Male Connector Only)

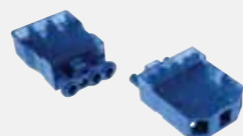


4 POLE CONNECTORS

CT202C
250V 20A 4 Pole Connector Screw-Down Cord Grip



CT203C
250V 20A 4 Pole Connector Fast Fit Cord Grip



CT203M
250V 20A 4 Pole Fast Fit Cord Grip (Male Connector Only)

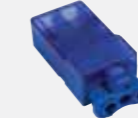


3 POLE FAST FIT CONNECTORS

CT105F
250V 20A 3 Pole Female Push Fit Connector



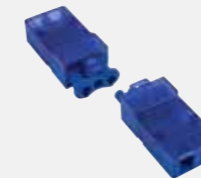
CT105M
250V 20A 3 Pole Male Push Fit Connector



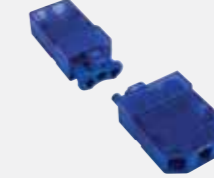
CT115F
250V 20A 3 Pole Female Push Fit Connector With Loop



CT105C
250V 20A 3 Pole Complete Push Fit Connector (CT105M & CT105F)

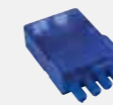


CT115C
250V 20A 3 Pole Complete Push Fit Connector With Loop (CT105M & CT115F)

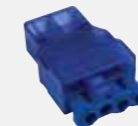


4 POLE FAST FIT CONNECTORS

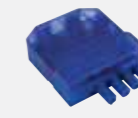
CT205F
250V 20A 4 Pole Female Push Fit Connector



CT205M
250V 20A 4 Pole Male Push Fit Connector



CT215F
250V 20A 4 Pole Female Push Fit Connector With Loop



CT205C
250V 20A 4 Pole Complete Push Fit Connector (CT205M & CT205F)



CT215C
250V 20A 4 Pole Complete Push Fit Connector With Loop (CT205M & CT215F)



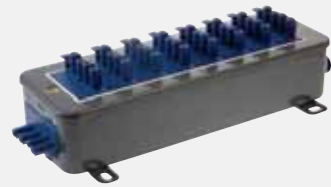
PRODUCT RANGE

Wiring a lighting circuit is quick & easy, using a combination of connectors, hubs & management boxes.

MANAGEMENT & DISTRIBUTION BOXES

CT1008

250V 20A 8 Way Distribution Box



CT1016

250V 20A 16 Way Lighting Management Box



SP1016

Mounting Tray For CT1016 & CT1008



HUBS & SPLITTERS

CT300

250V 20A 4 Pole (1 in 3 Out) Hub Junction Box



CT350

250V 20A 4 Pole Splitter (1 in 2 Out)



CT355

250V 20A 4 Pole (1 in 2 Out) Compact Splitter



SWITCH ADAPTERS

CT1300

250V 20A 3 Pole Switch Adaptor



CT2300

250V 20A 4 Pole Switch Adaptor



PRE-WIRED LSZH LINK CABLES

CT732

6A 3 Pole 0.75mm LSZH To FE 2 Metre



CT733

6A 3 Pole 0.75mm LSZH To FE 3 Metre



CT735

6A 3 Pole 0.75mm LSZH To FE 5 Metre



CT742

6A 4 Pole 0.75mm LSZH To FE 2 Metre



CT743

6A 4 Pole 0.75mm LSZH To FE 3 Metre



CT745

6A 4 Pole 0.75mm LSZH To FE 5 Metre



CEILING ROSE/COVER

CT845

20A 4 Pole 2.5mm Male To Female LSZH 5 Metre



CT1400

250V 20A 4 Pole Ceiling Rose (Without Cover)



CT1401

CT1400 Ceiling Rose Cover



EXTENSION CABLES

CT802

6A 4 Pole PVC Extension Cable - 2 Metre



CT803

6A 4 Pole PVC Extension Cable - 3 Metre



CT805

6A 4 Pole PVC Extension Cable - 5 Metre



TECHNICAL SPECIFICATIONS

CONNECTORS

CT101C CT102C CT103C CT103M CT202C CT203C CT203M

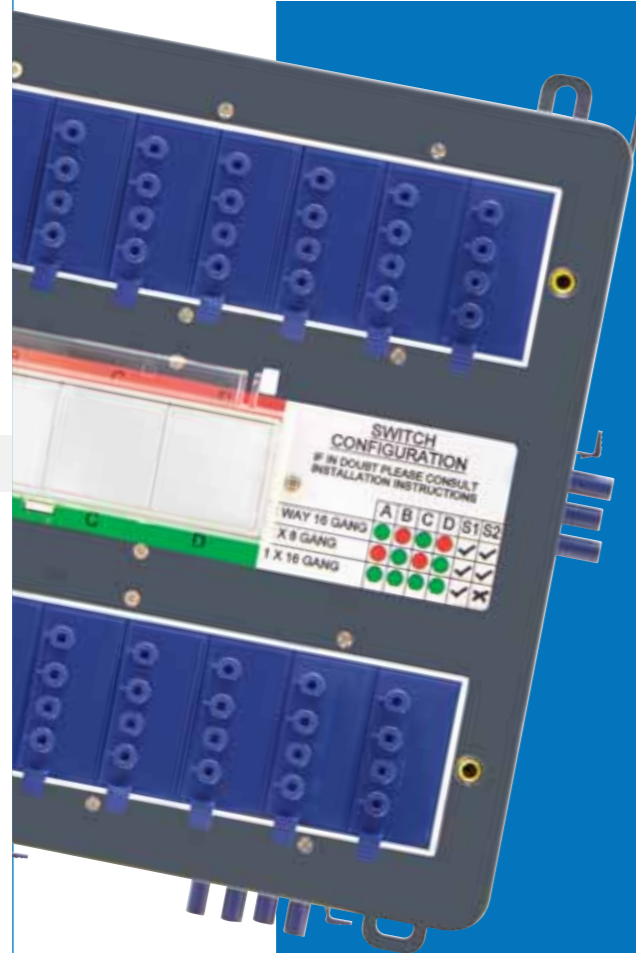
	Material Composition	Cover: Polycarbonate Base & Terminal Housing: Nylon (PA66) Terminals: Silver Plated Brass Terminal Screws: Steel and Yellow Passivated
	Input Voltage (V~)	250
	Input Frequency (Hz)	50
	Load Rating (A)	50
	Rated Impulse Voltage (kV)	4
	Terminal Size (mm)	Ø4.2
	Terminal Capacity Flex (mm ²)	3 x 1.5
	Cut-Out (mm)	Ø55 CT101C Ø46
	Warranty (Years)	10
	IP Rating	IP20
	Operational Temperature (°C)	-5 to +40
Standards	BS EN 61535, BS 5733 CT101C BS 5733	

PUSH FIT CONNECTORS

CT105C CT105F CT105M CT115C CT115F CT205C CT205F CT205M CT215C CT215F

	Material Composition	Cover: Polycarbonate Base & Terminal Housing: Nylon (PA66) Terminals: Silver Plated Brass Contact Spring: Stainless Steel
	Input Voltage (V~)	250
	Input Frequency (Hz)	50
	Load Rating (A)	50
	Rated Impulse Voltage (kV)	4
	Terminal Capacity Flex (mm ²)	2.5 (Max.)
	Cut-Out (mm)	CT105M, CT105F Ø40 CT205M, CT205F Ø50 CT115F Ø55 CT215F Ø65 CT215C Ø65
	Warranty (Years)	10
	IP Rating	IP20
	Operational Temperature (°C)	-5 to +40
	Standards	BS EN 61535

TECHNICAL SPECIFICATIONS



AMPLE FIXING POINTS

Suitable for any method of installation.

CONTROLLED & DIMMED

Using suitable PIR sensors or mains dimmers.

DURABLE HEAVY DUTY FINISH

Withstands all installation requirements.

SUITABLE FOR LOADS UP TO 20A

Use for more than just lighting!

ADDITIONAL 8 WAYS

Using CT350 splitter.


250V 20A 16 WAY LIGHTING MANAGEMENT BOX




Material Composition	Front Plate & Back Box: Electrophoretically Coated Steel Male & Female Connectors: Nylon (PA66) Terminals: Silver Plated Brass Terminal Screws: Steel and Yellow Passivated Dust Covers: Polycarbonate
Input Voltage (V~)	230
Input Frequency (Hz)	50
Load Rating (A)	50
Compatible Connectors	Input Connector: Input Connector: 3 Pole (CT203M) Connector Supplied Output Connectors: Compatible with 3 and 4 Pole Male Connectors
Input / Output	Main Input: 1 x 3 Pole Female Connector (Supply In) - Supplied Switch Inputs: 2 x 4 Pole Male Connectors (No Neutral) - Supplied 16 Outputs: 3 Pole or 4 Pole Male Connectors - To Be Selected 3 Pole Output: 1 x 3 Pole Male Connector - To Be Selected
Warranty (Years)	10
IP Rating	IP20
Operational Temperature (°C)	-5 to +40
Standards	BS 8488, BS EN 61535, BS 5733

TECHNICAL SPECIFICATIONS

250V 20A 8 WAY DISTRIBUTION BOX

	Material Composition	Front Plate & Back Box: Electrophoretically Coated Steel Male & Female Connectors: Nylon (PA66) Terminals: Silver Plated Brass Terminal Screws: Steel and Yellow Passivated Dust Covers: Polycarbonate
	Input Voltage (V~)	230
	Input Frequency (Hz)	50
	Load Rating (A)	50
	Compatible Connectors	Input Connector: Input Connector: Compatible With 3 and 4 Pole Connectors (Complete or Female) Output Connectors: Compatible with 3 and 4 Pole Male Connectors
	Input / Output	Main Input: 1 x 4 Pole Female Connector - To Be Selected 8 Outputs: 3 Pole or 4 Pole Male Connectors - To Be Selected 4 Pole Output: 1 x 4 Pole Male Connector - To Be Selected
	Warranty (Years)	10
	IP Rating	IP20
	Operational Temperature (°C)	-5 to +40
	Standards	BS 8488, BS EN 61535, BS 5733

250V 20A 4 POLE (1 IN 2 OUT) COMPACT SPLITTER

	Material Composition	Housing: Nylon Terminals: Silver Plated Brass
	Input Voltage (V~)	250
	Input Frequency (Hz)	50
	Load Rating (A)	50
	Compatible Connectors	Input Connector: Compatible With 3 and 4 Pole Connectors (Complete or Female) Output Connectors: Compatible with 3 and 4 Pole Male Connectors
	Warranty (Years)	10
	IP Rating	IP20
	Operational Temperature (°C)	-5 to +40
	Standards	BS 8488, BS EN 61535, BS 5733

250V 20A 4 POLE (1 IN 3 OUT) HUB JUNCTION BOX

	Material Composition	Cover: Polycarbonate Base & Terminal Housing: Nylon (PA66) Terminals: Silver Plated Brass Terminal Screws: Steel and Yellow Passivated
	Input Voltage (V~)	250
	Input Frequency (Hz)	50
	Load Rating (A)	50
	Compatible Connectors	Input Connector: Compatible With 3 and 4 Pole Connectors (Complete or Female) Output Connectors: Compatible with 3 and 4 Pole Male Connectors
	Input / Output	CT300: 1 Male Input, 3 Female Outputs
	Warranty (Years)	10
	IP Rating	IP20
	Operational Temperature (°C)	-5 to +40
	Standards	BS 8488, BS EN 61535, BS 5733

250V 20A 4 POLE SPLITTER (1 IN 2 OUT)

	Material Composition	Housing: Nylon Terminals: Silver Plated Brass Internal Busbars: Copper
	Input Voltage (V~)	250
	Input Frequency (Hz)	50
	Load Rating (A)	50
	Compatible Connectors	Input Connector: Compatible With 3 and 4 Pole Connectors (Complete or Female) Output Connectors: Compatible with 3 and 4 Pole Male Connectors
	Input / Output	CT350: 1 Male Input, 2 Female Outputs
	Warranty (Years)	10
	IP Rating	IP20
	Operational Temperature (°C)	-5 to +40
	Standards	BS 8488, BS EN 61535, BS 5733

TECHNICAL SPECIFICATIONS

CLICK FLOW TO FREE END & EXTENSION CABLES

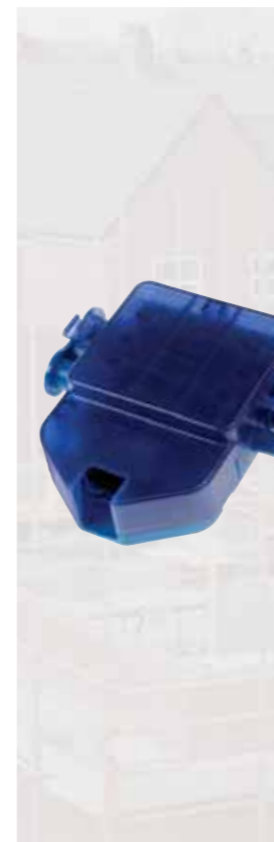
CT732 CT733 CT735 CT742 CT743 CT745 CT802 CT803 CT805 CT845

	Material Composition	Cover: Polycarbonate Base & Terminal Housing: Nylon (PA66) Terminals: Silver Plated Brass Terminal Screws: Steel and Yellow Passivated
	Input Voltage (V~)	250
	Input Frequency (Hz)	50
	Load Rating (A)	50
	Cable Type	3G 0.75mm ² (Low Smoke Zero Halogen) H05Z1Z1-F 4G 0.75mm ² (Low Smoke Zero Halogen) H05Z1Z1-F 4G 2.5mm ² (Low Smoke Zero Halogen) H05Z1Z1-F 4G 0.75mm ² (PVC) H05VV-F
	Marking of Poles	3 Pole: Male: L-E-N 4 Pole: Male: L-E-N-A
	Cut-out Required	3 Pole - 51mm Diameter Aperture 4 Pole - 55mm Diameter Aperture
	Warranty (Years)	10
	IP Rating	IP20
	Operational Temperature (°C)	-5 to +40
	Standards	BS EN 61535, BS 5733, BS EN 50525-3-11

250V 20A 4 POLE CLICK FLOW CEILING ROSE & COVER

	Material Composition	Cover: Polycarbonate Base & Terminal Housing: Nylon (PA66) Terminals: Silver Plated Brass Terminal Screws: Steel and Yellow Passivated
	Input Voltage (V~)	250
	Input Frequency (Hz)	50
	Load Rating (A)	50
	Terminal Conductor Sizes	Up to 3 x 2.5mm ² T&E
	Warranty (Years)	10
	IP Rating	IP20
	Operational Temperature (°C)	-5 to +40
	Standards	BS 8488, BS EN 61535, BS 5733

250V 20A 3 POLE SWITCH ADAPTOR



Material Composition	Cover: Polycarbonate Base & Terminal Housing: Nylon (PA66) Terminals: Silver Plated Brass Terminal Screws: Steel and Yellow Passivated
Input Voltage (V~)	250
Input Frequency (Hz)	50
Load Rating (A)	50
Terminal Conductor Size	Up to 4 x 1.00mm ² T&E
Pre-Wired Links	2.50mm ² (Earth & Neutral)
Input / Output	Input - 3 Pole Female Connector Required Output - 3 Pole Male Connector Required Switch Input - Up to 4 X 1mm ² flat twin & earth cable
Warranty (Years)	10
IP Rating	IP20
Operational Temperature (°C)	-5 to +40
Standards	BS 8488, BS EN 61535, BS 5733

250V 20A 4 POLE SWITCH ADAPTOR



Material Composition	Cover: Polycarbonate Base & Terminal Housing: Nylon (PA66) Terminals: Silver Plated Brass Terminal Screws: Steel and Yellow Passivated
Input Voltage (V~)	250
Input Frequency (Hz)	50
Load Rating (A)	50
Terminal Conductor Size	Up to 4 x 1.00mm ² T&E
Pre-Wired Links	2.50mm ² (Permanent Live, Earth & Neutral)
Input / Output	Input - 3 Or 4 Pole Female Connector Required Output - 3 Or 4 Pole Male Connector Required Switch Input - Up to 4 X 1mm ² flat twin & earth cable
Warranty (Years)	10
IP Rating	IP20
Operational Temperature (°C)	-5 to +40
Standards	BS 8488, BS EN 61535, BS 5733



United Kingdom
Scolmore House, Mariner
Lichfield Road Industrial Estate
Tamworth, Staffordshire,
B79 7UL

T: +44 (0)1827 300640
E: sales@oviaUK.com

www.oviaUK.com



Ireland
241 Holly Road
Western Industrial Estate
Dublin 12
D12 NW24

T: +353 1 9123462
E: sales@ovia.ie

www.ovia.ie



Dubai, UAE
Lake Central Tower,
Office 1803,
Business Bay,
Dubai, UAE

UAE Office: +971 4589 6552
E: sales@scolmoredubai.com

www.scolmoredubai.com