



LIGHTING CATALOGUE

ISSUE 5

WELCOME TO OVIA[®] LIGHTING



SCAN TO VIEW OUR
TRADE PRICELIST



United Kingdom	Ireland	Middle East
sales@oviaUK.com	sales@ovia.ie	sales@scolmoreme.com
01827 300640	01-912 3462	+971 4589 6552
oviaUK.com	ovia.ie	scolmoreme.com

Lighting solutions optimised for performance, energy efficiency & safety...

Ovia has been operating as an independent lighting company within Scolmore Group since 2019 and has firmly established its reputation as a leading supplier of lighting solutions to the professional electrical contract market.

We continue to invest in new product development to expand our product offer, to bring to market a comprehensive range of fittings and lighting controls that are contractor friendly, innovative and can be sourced through the reliable wholesale channel.

With around 930 individual product lines available, installers can have confidence that there is a light fitting or solution to meet their every requirement.

The extensive Ovia collection will provide solutions for a whole spectrum of projects in a broad variety of sectors, including domestic, commercial, industrial, utility, amenity, emergency lighting and floodlighting. The lighting offer is further enhanced with a full range of lighting control solutions that will optimise energy saving credentials.

We have a huge resource to call on and a very experienced team in place to manage stocks and the supply chain to ensure that we continue to deliver a first-class service to our customers.



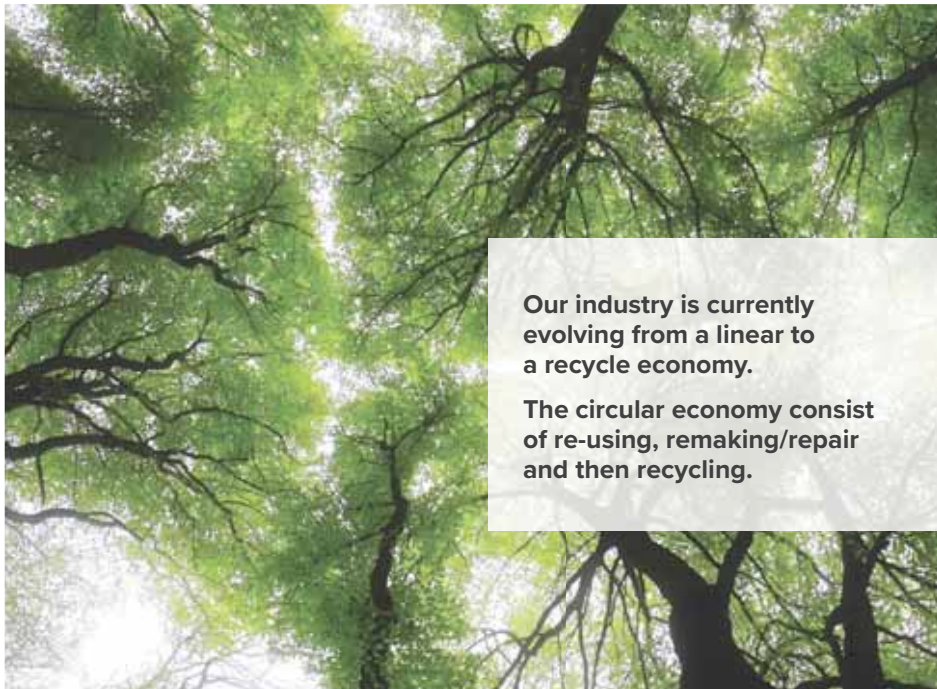
ISO 9001 - QUALITY MANAGEMENT SYSTEM

Ovia[®] is an ISO certified company with certification for ISO 9001:2015 Quality Standard.



SUSTAINABLE INCEPTOR®

Sustainability drives all of our decisions and actions. We prioritise sustainability in all aspects of our business operations. Ovia® aims to become market leaders in sustainable lighting.



Our industry is currently evolving from a linear to a recycle economy.

The circular economy consist of re-using, remaking/repair and then recycling.



SWITCH TO INCEPTOR®

Throughout our extensive range of lighting solutions we have a number of products that are part of our Pro Range which are identified by the name Inceptor®.

Inceptor® products were developed with the contractor in mind, providing some time saving installation features as a key design characteristics.

Look out for the switch to Inceptor® section on the packaging of all Pro Range products for details on all the additional features these products offer.



In order to identify the Inceptor® brand throughout this catalogue we have created an icon on the pages relating to this range for ease of reference.

HOW TESTING WORKS

To test our products we complete the TM66 form created by CIBSE.

Testing involves gathering thorough evidence which supports the specifications of our product ranges and we provide reports.

We deconstruct our products to show the disassembly and material used. This also demonstrates the ability to recycle or refurbish the different materials.

The ecosystem of our company is also thoroughly investigated to navigate what we offer to support a circular economy, for example technical support, warranty lengths, photometry data and so on.

Why we use the LIA to verify our TM66 test results...

Gaining the correct score is important to us, it allows us to understand where we stand in the process of achieving more sustainable product ranges. Therefore we use the LIA to verify our results, this ensures we have a consistent and accurate rating without any bias towards the products.

We are proud advocates in using TM66 and have been given the opportunity to be founding partners, demonstrating our commitment to a circular economy for our industry.



2.5 - 4
EXCELLENT

CIRCULARITY PERFORMANCE

1.5 - 2.5
SUBSTANTIAL

CIRCULARITY PERFORMANCE

0.5 - 1.5
SOME

CIRCULARITY PERFORMANCE

0 - 0.5
POOR

CIRCULARITY PERFORMANCE





OUR CIRCULAR ECONOMY



In our efforts towards a circular economy the following products sit in the 1.5-2.5 score range of the TM66 Circularity Report.

College LED Linear Batten
INCEPTOR® A-LITE









Multi-Current LED Linear Batten
INCEPTOR® RIO









Linear LED Lights
INCEPTOR® U-LITE











Up & Down Linear Luminaire
INCEPTOR® DUO











Linear Batten Multi-Current LED Light
INCEPTOR® B-LITE





OUR CIRCULAR ECONOMY



In our efforts towards a circular economy the following products sit in the 1.5-2.5 score range of the TM66 Circularity Report.

LED Dimmable Highbay
INCEPTOR® HI-LITE




6 YR WARRANTY IP65 IK10 CCT

LED Wall Pack
INCEPTOR® MURUS




5 YR WARRANTY IP66 IK10 CCT

Adaptable Downlight with CCT Switch
INCEPTOR® APTO




3 YR WARRANTY CCT



OUR INCEPTOR® PROMISE

We are working towards a circular economy & promise our Inceptor products will get to the standards set by the TM66 report.

LED Bulkhead
INCEPTOR® EVO



5 YR WARRANTY IP65

LED Asymmetric Floodlight
INCEPTOR® ACE




5 YR WARRANTY IP65 IK06

Low Glare Panel Lights
INCEPTOR® SKYLAR



5 YR WARRANTY IP20 3 IN 1 <16 UGR

Low UGR Diffuser
INCEPTOR® SLATE



5 YR WARRANTY IP44 TPL6

Dimmable Fire-Rated LED Downlight
INCEPTOR® MILLI



5 YR WARRANTY IP65 CCT



RELUX MEMBER

Relux is the world's leading software application for professional lighting planning and has specialised in the development of lighting planning and product presentation software for more than 20 years. It is recognised by the LIA (Lighting Industry Association) which offers Relux lighting software courses.

Ovia's acceptance as a Relux member is a huge achievement, coming just three years after the company was first established as an independent lighting company within Scolmore Group. It means that the extensive Ovia lighting directory of products and all its photometric data is now embedded in Relux and can be accessed free of charge. Relux currently has over 200,000 users worldwide.

Relux provides its users – lighting consultants, designers and specifiers - with access to more than one million luminaires and sensors from leading manufacturers in order to guarantee the maximum possible quality in their lighting calculations. It enables designers to plan their projects with accurate and complete product data.

RELUX applications are noted for their precise calculation values and compliance with standards, plus an intuitive user interface. Whether daylight or artificial light, interior or outdoor areas, street or tunnel lighting, or sensor planning, Relux supports users in their professional lighting planning and contributes to bringing projects to a successful conclusion.



RELUX®

FREE LIGHTING AND CONNECTION DESIGN SERVICE

Ovia® is offering a dedicated lighting & connection design service, allowing customers to access free lighting design schemes for their commercial projects.

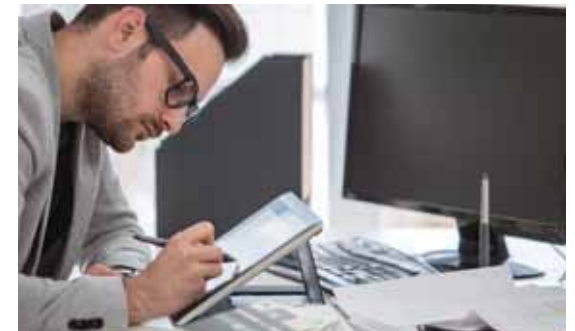
The free service is available to electrical contracting companies, M&E consultants and anyone involved in the specification of lighting and lighting control equipment.

Providing expertise in selecting the right products and solutions, to create a scheme that meets all the requirements and objectives of the project in question, and that is compliant with all the relevant regulations and standards.

The lighting & connection design request will normally come through the Ovia® area sales managers, who will be actively promoting the service and will be the first point of contact to field the inquiry. An Ovia® Pre-qualification Form will need to be completed for each request, with the aim of gathering as much relevant information as possible about the project and any specific requirements. Where necessary a site visit will take place.

Once all the relevant information is gathered, including drawings and specifications, and taking into consideration the customer's requirements together with the latest legislations and guidelines, a Lighting Design Proposal will be prepared. A schedule of lighting and lighting controls will be shared with the Ovia® internal sales team who will prepare a quotation.

The Lighting Design Proposal and prepared quotation will be sent back to the Ovia® sales team member and the quote will then either go through the wholesaler of choice, or the inquiry will be directed through one of Ovia's supporting Elite stockists.



ON SITE WARRANTY

1 & 2 YEAR WARRANTIES.

Ovia® offers an on-site warranty of 1 to 2 years dependant on registration of the Inceptor® luminaires.

Our on-site warranty icon highlights the Inceptor® products that offer this feature.

HOW TO REGISTER:

In order to register a product purchase and to extend the 1 year on-site warranty to a 2 year on-site warranty you will need to register the product via this link https://oviauk.com/on_site_warranty/ within 6 months of date of purchase.

ON SITE WARRANTY

1 YEAR STANDARD

2 YEAR REGISTERED

CLICK® FLOW

Makes wiring a lighting circuit easy, using a combination of connectors, hubs and management boxes.

SIMPLE CONNECTIVITY & CONTROL



PRE-WIRED
flow
CONNECTOR

PRODUCTS FROM THE OVIA® RANGE FEATURING CLICK FLOW DISPLAY THIS ICON.

With the emphasis now on flexibility & ease of installation many building design projects are focusing on products & services that can adapt to changing legislation, energy efficiency & the ever changing needs of the client.

The Lighting Management System has been designed specifically to help contractors create more complex lighting installations quickly, easily &

safely. It features a number of products that allow the quick connection, configuration & re-configuration of circuits, primarily intended for lighting.

Flexibility is important as requirements can change & the ability to adapt to these changes quickly & economically is seen as an advantage. The development of this range has evolved as a result of the increasing demand from our customers.

GENERAL PRODUCT ICON GUIDE

We have designed a range of simple icons to make searching for the right product for your project quick and easy!

COLOUR TEMPERATURE

The icons below demonstrate the different colour temperatures available for that product. The CCT icon highlights a product that has an adjustable colour temperature.



AVAILABLE FINISHES

The icons below demonstrate the different finishes available for that product.



PRODUCT WARRANTIES

The icons below demonstrate the number of years warranty the product has.



GENERAL PRODUCT ICONS

The icons below will be used throughout each section in this catalogue. They highlight the general information from each product.



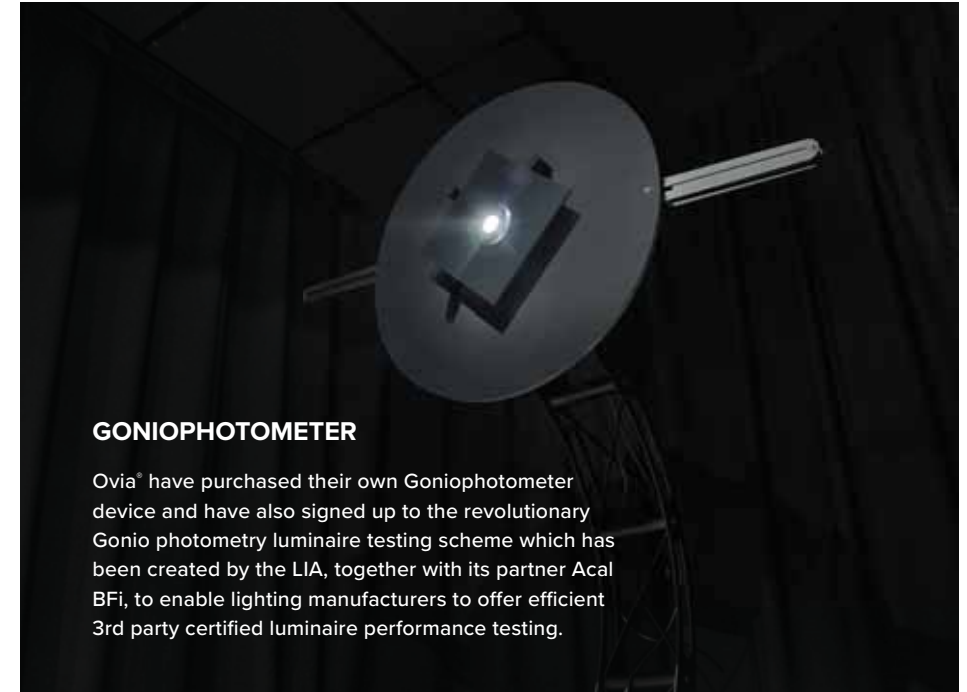
ICON GUIDE

INDUSTRIAL		Microwave Sensor
AMENITY		Benefits from a PIR Sensor
		Lamp Type
EMERGENCY		Self Testing Available
		Lens Type
DOMESTIC		Dual Wattage
		30, 60 & 90 Min Fire Rating
		Regs Compliant; Solid / I / Web Joist
FLOODLIGHTING		Lithium Battery
		Light Control Sensor
		PIR Sensor
		Solar Power
		Infrared Sensor
		Sensor Over-ride
		Besa Box Mountable
UTILITY		Emergency Available
		Self Testing Available
		Light Control Sensor
		Besa Box Mountable
		Corridor Function
		Microwave Sensor
		Thermoplastic Rating
		Lithium Battery
CONTROL		Use Indoors
		Use Indoors & Outdoors
		Zero Cross Technology
		UP TO 12M Max Detection Range
		5-12M Detection Range Between
		10M DIAMETER Max Detection Diameter Range
		Infrared Sensor
		Microwave Sensor
		Light Control Sensor
COMMERCIAL		Use Indoors
		PIR Sensor
	<16 UGR Reduced Glare Rating icon"/>	<16 UGR Reduced Glare Rating
		Magnetic Bezels Available
		3 IN 1 Multi-Function Driver
		Thermoplastic Rating

OVIA® LIGHTING LABORATORY

Ovia® continues its efforts to stay one step ahead in a competitive marketplace, with significant investment in new testing equipment and a cutting-edge photometry luminaire testing scheme, which will bring the company's light testing facility in house.

The Scheme is built around the class-leading Viso systems LapSpion goniometer. Its cutting edge technology eliminates the need for a traditional goniometer and/or integrating sphere and allows manufacturers to perform these tests quickly and accurately on their own premises, without the need for a large dedicated dark room. It gives participants the ability to scan light sources and luminaires quickly and easily, creating quality, ease to understand light measurement data.



GONIOPHOTOMETER

Ovia® have purchased their own Goniophotometer device and have also signed up to the revolutionary Gonio photometry luminaire testing scheme which has been created by the LIA, together with its partner Acal BFi, to enable lighting manufacturers to offer efficient 3rd party certified luminaire performance testing.



PHOTOMETRY LUMINAIRE TESTING SCHEME

As well as radically speeding up the testing process for Ovia's lighting products, the ground breaking scheme will also offer reassurance when it comes to validating photometric measurements such as Lumens per Watt and related performance claims.

Full photometric scans can take from as little as two minutes and once ready, the data is sent securely via a dedicated cloud server to the LIA Laboratory for validation. The LIA Laboratory will then be able to issue third party reports without the need for product samples to be transported around the country or the world.



MARKETING SUPPORT

OVIA® WEBSITE

Visit oviaUK.com & ovia.ie to see our websites! Showcasing the full range of quality, cost effective products currently on offer. With regular updates on new products, as well as details of developments within our business, the site is a great source of information keeping you fully up to date with the click of a button.

- Product Finder
- Technical Specification Brochures
- Product Technical Specification Sheets
- Photometrics
- Instruction Manuals



MARKETING HUB

The Marketing Hub is the latest update to the Ovvia® website giving customers the opportunity to enhance their own marketing facilities with very little effort or cost.

A selection of templates are available featuring many of our popular products. These templates can be customised with our stockists' details to provide maximum impact and optimise local sales opportunities.

DISPLAY BOARDS

We offer a vast range of point of sale displays to promote our products in your showroom.



OVIA® ONLINE ORDERING

WWW.OVIAONLINE.COM | WWW.OVIAONLINE.IE

To register E-mail us at sales@oviaUK.com or sales@ovia.ie or call our sales office on **01827 300 640 (UK)** or **01-912 3462 (Ireland)** and one of our sales representatives will be more than happy to get you online.

- Our PDF upload feature eliminates the need for time consuming manual data entry, simply upload your purchase order PDF and we will extract the information for you so you can add the products straight to your basket within seconds
- Ordering 24 hours a day 7 days a week with the ability to check current stock levels as required, meaning you are not restricted to ordering during normal office hours
- Access to online catalogues will keep you fully updated with the complete product range and provide information on new products as and when they become available
- The order tracking service keeps you up to date with the progress of your shipment.
- Managing your administration paperwork is now even easier with instant access to reports and essential documents at a click of a button.
- A 'quick buy tab' and the ability to store the most common orders for repeated use, adds to the versatility and flexibility of the revised system.

OVIA® PRODUCT FINDER

Our product finder tool makes it easier than ever for electricians, wholesalers and end users to search and locate products from across all categories, with just a few clicks.



ARE YOU AN OVIA® ELITE STOCKIST?

If so, you automatically have access to the Marketing Hub. Download all our latest literature, flyers to personalise and our full range of images for use on your website or artwork. Follow links from oviaUK.com or ovia.ie for more information.



SCOLMORE® GROUP APP

The Scolmore® Group app allows you to use your smart phone to browse our complete range of products, add products to your Favourites or to the Quote Basket and allows you to email the contents of the basket back to yourself.

With Scolmore®, Ovia® Lighting, ESP® & Unicrimp® products available you can use the search facility to easily locate the products required.

Our App also has a useful tool kit featuring: Quick Quote Calculator, Zs Values, Cables Selection & Voltage (V_n) Drop, Adiabatic Equation Calculator, Power Factor Calculator, KVA Converter, Lighting Cost Saving Calculator, Lighting No. Calculator and many more...



OVIA® MOBILE SHOWROOM



If you wish to book our Ovia® mobile showroom please get in touch with your local area sales manager!

The eye-catching, branded vehicle transforms into a spacious and stylish showroom, fitted out with the very latest products which are mounted on display panels.

With room for a hospitality table and concealed storage for presentation materials and samples, the air conditioned, fully glazed unit provides an ideal space in which to host seminars and presentations and provide product training sessions for visitors.



25 CLICK FLOW

Flow™ Accessories	28
-------------------	----

41 DOMESTIC LIGHTING

Inceptor® Milli	48
Inceptor® OmniV2	52
Inceptor® NanoV2	56
Inceptor® Nano5	60
Pico	64
Pico FG	65
FlameGuard®	70
Baylis	75
LED Lamps	78
Novus	80
Nova	82
Ovo	83
Inceptor® Intense	84

105 AMENITY LIGHTING

Twist	109
Verta	110
Avori	112
Centuri	114
Eden	116
Orna	118
Quadra	119
Durus	120
Spear	121
Tribus	122
Holborn	124
Trinity	126
Neo	128
Adorna	129
Nova	130
Ovo	131

133 CONTROL

Recessed PIR	138
Surface Microwave	140
Surface PIR	142
Wall PIR	146
Luminaire PIR	150

155 UTILITY LIGHTING

Inceptor® Evo	158
Evo	168
Evo Orb	176
Evo Deco XL	182
Evo Deco XL	184
Evo Slim Mini	186
Evo Slim	188
Barra	190
Velo	192
Rex	194
Inceptor® Rio	198

155 UTILITY LIGHTING

Inceptor® A-lite	202
Inceptor® Duo	224
Inceptor® B-Lite	234
Inceptor U-Lite	248
U-lite	262

277 COMMERCIAL LIGHTING

Inceptor® Slate	280
Slate Backlit	288
Inceptor® Slate Backlit	289
Inceptor® Slate Backlit UGR	290
Inceptor® Skylar UGR16	292
Inceptor® Trofa	296
Dimmable Control Gear	300
Inceptor® Apto	306
PolyPanel	318
AluPanel	321
Sprite	326
E-Sprite	333

343 INDUSTRIAL LIGHTING

Inceptor® Hi-Lite	346
-------------------	-----

355 FLOOD LIGHTING

Inceptor® Ace	360
Inceptor® Murus	372
Sentro	386
Zontor	398
Zonne	400
Pathfinder	401
Gator	418

423 EMERGENCY LIGHTING

Inceptor® Hulke	426
Novem5	428
Ornex5	429
Calvex	431
Calvex5	434
Hanex5	437
Vanex	438
Vanex5	439
Ernex5	440
Newem	441
Newem5	442
Ibex	445
Ibex5	446
Sibex	450
Emergency Accessories	452
Control Gear5	457

A modern office interior featuring a long wooden table with a dark metal base, surrounded by red chairs. The room has large windows on the left, a concrete ceiling with exposed pipes and ductwork, and two black pendant lights hanging over the table. The floor is a light-colored, polished surface. A blue triangle is visible in the bottom right corner.

CLICK FLOW



CLICK FLOW

Contents

Lighting Management Boxes	28
Flow™ Connectors	32
Flow™ Extension Cables	38
Ceiling Rose	40

Management & Distribution Boxes

WARRANTY
IP20 **20**
YEAR

**VISIBLE
POWER
INDICATOR**



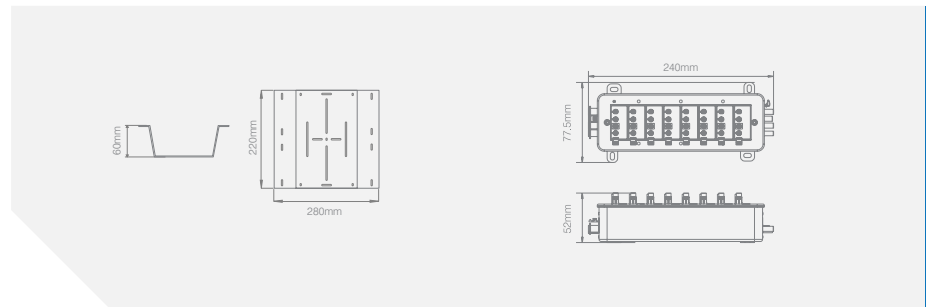
CT1008



SP1016

CODE	DESCRIPTION
CT1008	20A 8 Way Distribution Box
SP1016	Mounting Tray For CT1016 & CT1008

PRODUCT INFO	
Input Voltage (V~)	240
Input Frequency (Hz)	50
Total Output Maximum (A)	20
Operating Temperature Range (°C)	-5 to +40



Additional 4 Pole Output Supplied

PRODUCT APPROVALS

BS 8488, BS EN 61535, BS 5733



Management & Distribution Boxes

WARRANTY
20 **IP20**
YEAR

**VISIBLE
POWER
INDICATOR**



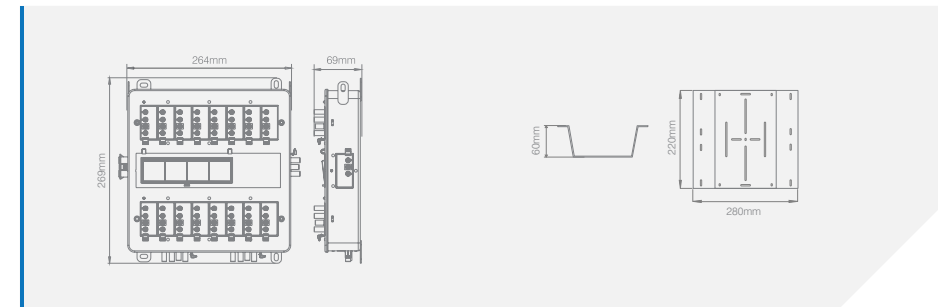
CT1016



SP1016

PRODUCT INFO	
Input Voltage (V~)	240
Input Frequency (Hz)	50
Total Output Maximum (A)	20
Operating Temperature Range (°C)	-5 to +40

CODE	DESCRIPTION
CT1016	20A 16 Way Lighting Management Box
SP1016	Mounting Tray For CT1016 & CT1008



PRODUCT APPROVALS

Connector Supplied: 3 Pole (Input), 2 x 4 Pole (Switch Inputs)

BS 8488, BS EN 61535, BS 5733



Hubs & Splitters

WARRANTY
IP20 **20**
YEAR



CT300



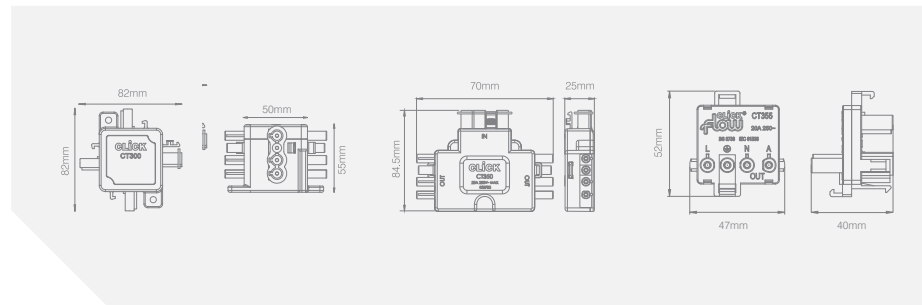
CT350



CT355

CODE	DESCRIPTION
CT300	20A 4 Pole (1 in 3 Out) Flow™ Hub Junction Box
CT350	20A 4 Pole Splitter (1 in 2 Out)
CT355	20A 4 Pole (1 in 2 Out) Compact Splitter

PRODUCT INFO	
Input Voltage (V~)	250
Input Frequency (Hz)	50
Total Output Maximum (A)	20
Operating Temperature Range (°C)	-5 to +40



PRODUCT APPROVALS

BS 8488, BS EN 61535, BS 5733



Switch Adaptors

WARRANTY
20 **IP20**
YEAR



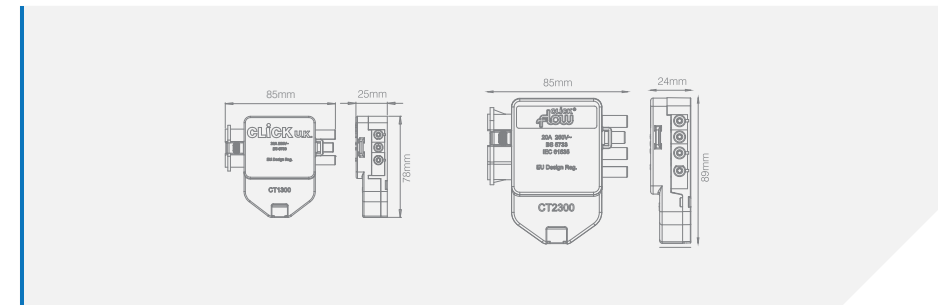
CT1300



CT2300

PRODUCT INFO	
Input Voltage (V~)	250
Input Frequency (Hz)	50
Terminal Size (mm)	Ø4.2
Total Output Maximum (A)	20
Terminal Capacity - Flex (mm²)	3 x 1.5
Terminal Capacity - Solid (mm²)	3 x 2.5
Operating Temperature Range (°C)	-5 to +40

CODE	DESCRIPTION
CT1300	20A 3 Pole Switch Adaptor
CT2300	20A 4 Pole Switch Adaptor with pre-wired earth and neutral links



PRODUCT APPROVALS

BS 8488, BS EN 61535, BS 5733



CLICK FLOW

CLICK FLOW

3 Pole Push-Fit Connectors

WARRANTY
IP20 **20**
YEAR



CT105F



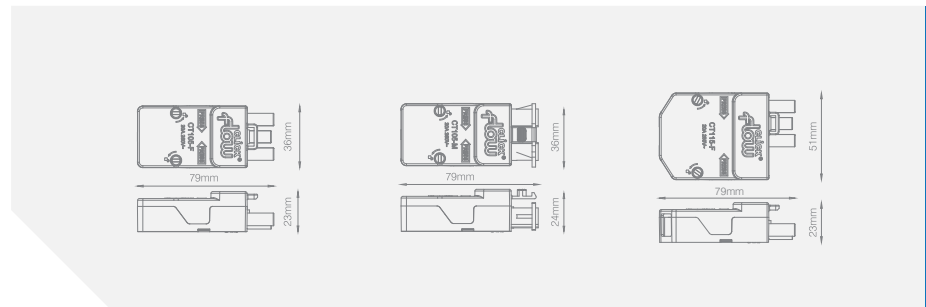
CT105M



CT115F

CODE	DESCRIPTION	PRODUCT INFO
CT105F	20A 3 Pole Female Push-Fit Connector	Input Voltage (V~) 250
CT105M	20A 3 Pole Male Push-Fit Connector	Input Frequency (Hz) 50
CT115F	20A 3 Pole Female Push-Fit Connector With Loop	Rated Impulse Voltage (kV) 4
		Total Output Maximum (A) 20
		Terminal Capacity - Flex (mm ²) 2.5 (Max.)
		Terminal Capacity - Solid (mm ²) 2.5 (Max.)
		Operating Temperature Range (°C) -5 to +40

TIME SAVING LEVERS
Simply push lever down, offer stripped conductor into the terminal & then release the lever, ensuring the cable cannot easily be pulled out.



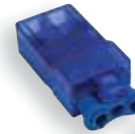
PRODUCT APPROVALS

BS EN 61535

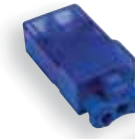


3 Pole Push-Fit Connectors

WARRANTY
20 **IP20**
YEAR



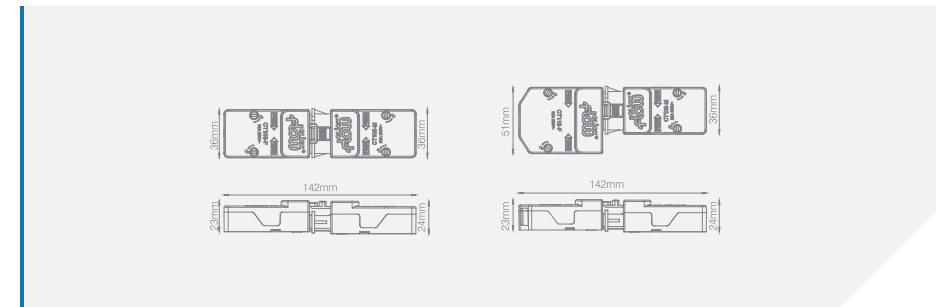
CT105C



CT115C

PRODUCT INFO	CODE	DESCRIPTION
Input Voltage (V~) 250	CT105C	20A 3 Pole Complete Push-Fit Connector (CT105M & CT105F)
Input Frequency (Hz) 50	CT115C	20A 3 Pole Complete Push-Fit Connector With Loop (CT105M & CT115F)
Rated Impulse Voltage (kV) 4		
Total Output Maximum (A) 20		
Terminal Capacity - Flex (mm ²) 2.5 (Max.)		
Terminal Capacity - Solid (mm ²) 2.5 (Max.)		
Operating Temperature Range (°C) -5 to +40		

TIME SAVING LEVERS
Simply push lever down, offer stripped conductor into the terminal & then release the lever, ensuring the cable cannot easily be pulled out.



PRODUCT APPROVALS

BS EN 61535



CLICK FLOW

CLICK FLOW

4 Pole Push-Fit Connectors



CT205F

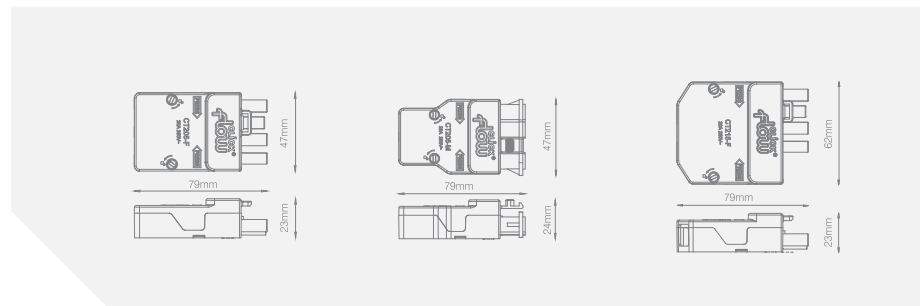
CT205M

CT215F

CODE	DESCRIPTION
CT205F	20A 4 Pole Female Push-Fit Connector
CT205M	20A 4 Pole Male Push-Fit Connector
CT215F	20A 4 Pole Female Push-Fit Connector With Loop

TIME SAVING LEVERS
Simply push lever down, offer stripped conductor into the terminal & then release the lever, ensuring the cable cannot easily be pulled out.

PRODUCT INFO	
Input Voltage (V~)	250
Input Frequency (Hz)	50
Rated Impulse Voltage (kV)	4
Total Output Maximum (A)	20
Terminal Capacity - Flex (mm ²)	2.5 (Max.)
Terminal Capacity - Solid (mm ²)	2.5 (Max.)
Operating Temperature Range (°C)	-5 to +40



PRODUCT APPROVALS

BS EN 61535



4 Pole Push-Fit Connectors



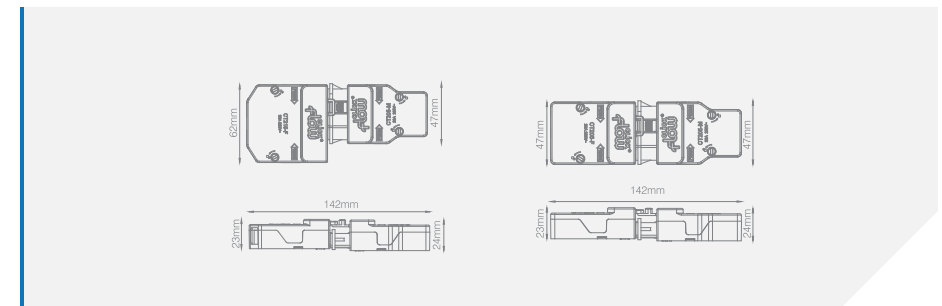
CT205C

CT215C

PRODUCT INFO	
Input Voltage (V~)	250
Input Frequency (Hz)	50
Rated Impulse Voltage (kV)	4
Total Output Maximum (A)	20
Terminal Capacity - Flex (mm ²)	2.5 (Max.)
Terminal Capacity - Solid (mm ²)	2.5 (Max.)
Operating Temperature Range (°C)	-5 to +40

CODE	DESCRIPTION
CT205C	20A 4 Pole Complete Push-Fit Connector (CT205M & CT205F)
CT215C	20A 4 Pole Complete Push-Fit Connector With Loop (CT205M & CT215F)

TIME SAVING LEVERS
Simply push lever down, offer stripped conductor into the terminal & then release the lever, ensuring the cable cannot easily be pulled out.



PRODUCT APPROVALS

BS EN 61535

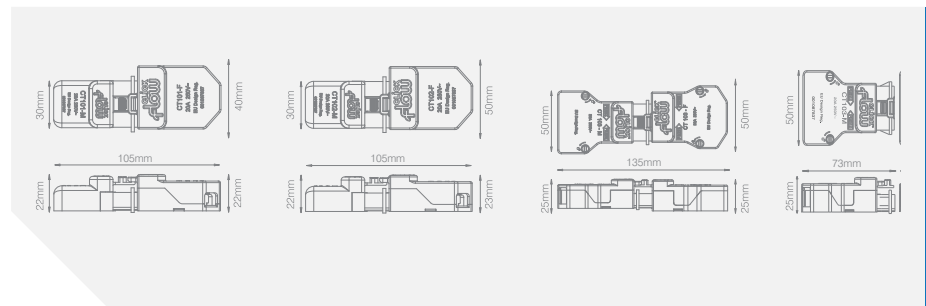


3 Pole Connectors

WARRANTY
IP20 20 YEAR



CODE	DESCRIPTION	PRODUCT INFO
CT101C	20A 3 Pole Connector	Input Voltage (V~) 250
CT102C	20A 3 Pole Connector Screw-Down Cord Grip	Input Frequency (Hz) 50
CT103C	20A 3 Pole Connector Fast-Fit Cord Grip	Rated Impulse Voltage (kV) 4
CT103M	20A 3 Pole Fast-Fit Cord Grip (Male Connector Only)	Terminal Size (mm) Ø4.2
		Total Output Maximum (A) 20
		Terminal Capacity - Flex (mm²) 3 x 1.5
		Terminal Capacity - Solid (mm²) 3 x 2.5
		Operating Temperature Range (°C) -5 to +40



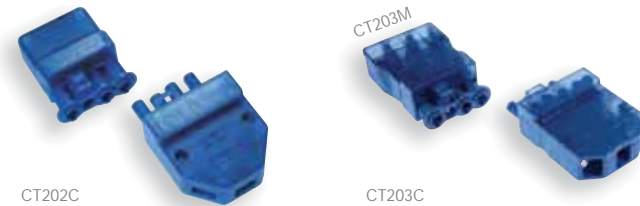
PRODUCT APPROVALS

CT101C: BS 5733
BS EN 61535, BS 5733

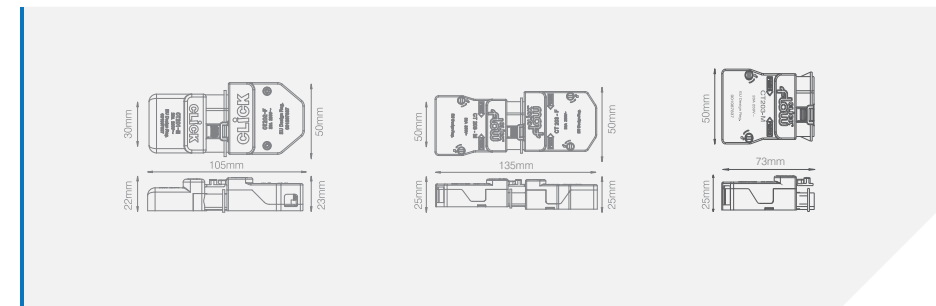


4 Pole Connectors

WARRANTY
20 YEAR IP20



PRODUCT INFO	CODE	DESCRIPTION
Input Voltage (V~) 250	CT202C	20A 4 Pole Connector Screw-Down Cord Grip
Input Frequency (Hz) 50	CT203C	20A 4 Pole Connector Fast-Fit Cord Grip
Rated Impulse Voltage (kV) 4	CT203M	20A 4 Pole Fast-Fit Cord Grip (Male Connector Only)
Terminal Size (mm) Ø4.2		
Total Output Maximum (A) 20		
Terminal Capacity - Flex (mm²) 3 x 1.5		
Terminal Capacity - Solid (mm²) 3 x 2.5		
Operating Temperature Range (°C) -5 to +40		



PRODUCT APPROVALS

BS EN 61535, BS 5733



Pre-Wired LSZH Link Cables, Male connectors to F/E



CT845

CODE	DESCRIPTION
CT732	6A 3 Pole 0.75mm LSZH To FE 2m - Black
CT733	6A 3 Pole 0.75mm LSZH To FE 3m - Black
CT735	6A 3 Pole 0.75mm LSZH To FE 5m - Black
CT742	6A 4 Pole 0.75mm LSZH To FE 2m - Black
CT743	6A 4 Pole 0.75mm LSZH To FE 3m - Black
CT745	6A 4 Pole 0.75mm LSZH To FE 5m - Black
CT845	20A 4 Pole 2.5mm Male To Female LSZH 5m - Black

PRODUCT INFO	
Input Voltage (V~)	250
Input Frequency (Hz)	50
Total Output Maximum (A)	6 & 20
Operating Temperature Range (°C)	-5 to +40

PRODUCT APPROVALS

BS EN 61535, BS 5733, BS EN 50525-3-11



Extension Cables



CT802



CT803



CT805

PRODUCT INFO	
Input Voltage (V~)	250
Input Frequency (Hz)	50
Total Output Maximum (A)	6
Operating Temperature Range (°C)	-5 to +40

CODE	DESCRIPTION
CT802	6A 4 Pole PVC Extension Cable - 2 Metre
CT803	6A 4 Pole PVC Extension Cable - 3 Metre
CT805	6A 4 Pole PVC Extension Cable - 5 Metre

PRODUCT APPROVALS

BS EN 61535, BS 5733, BS EN 50525-3-11



Ceiling Rose

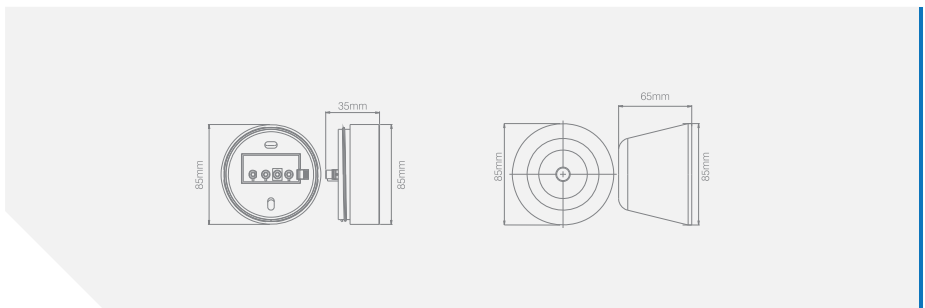


CT1400



CT1401

CODE	DESCRIPTION	PRODUCT INFO
CT1400	20A 4 Pole Ceiling Rose (Without Cover)	Input Voltage (V~) 250
CT1401	CT1400 Ceiling Rose Cover	Input Frequency (Hz) 50
CT101C, CT102C, CT202C compatible with rose cover installed		Rated Impulse Voltage (kV) 4
When rose cover installed, not suitable for use with CT103, CT203 or Push Fit Connectors		Terminal Size (mm) Ø4.2
		Total Output Maximum (A) 20
		Terminal Capacity - Flex (mm²) 3 x 1.5
		Terminal Capacity - Solid (mm²) 3 x 2.5
		Operating Temperature Range (°C) -5 to +40



PRODUCT APPROVALS

CT1401: BS 8488, BS EN 61535, BS 5733





DOMESTIC LIGHTING

DOMESTIC LIGHTING

This section hosts a selection of lighting products created for domestic and display purposes.

We feature everything from fire-rated downlights with pre-wired Flow™ connectors and integrated light source, IP65 downlights, downlights with a replacement lamp option through to LED strip lighting and cabinet lighting.

By utilising the colour temperature options and different light sources you are able to create many different mood settings for your living space.

Contents

Downlights	48
Lamps	78
Shaver Light	80
Star Light	82
LED Strip	84

INCEPTOR® PRODUCTS
TO LOOK OUT FOR IN
THIS SECTION...

Switch **2** Inceptor



INTENSE



MILLI



OMNI^{V2}



NANO⁵



NANO^{V2}

FIRE DEFIANT & REGS COMPLIANT

Inceptor® Milli, Inceptor® Omni^{V2},
Inceptor® Nano⁵ & Nano^{V2},
Pico FG and FlameGuard® Downlights.

How it works?

The FlameGuard® intumescent seal, when exposed to fire, forms a dense carbon char which separates and insulates the substrate from the heat of the fire. The expanded seal eliminates the flow of air through the void and thereby starves the fire of vital elements for combustion.



Products that incorporate our award-winning FlameGuard® system technology, benefit from a **30, 60 & 90 minute fire rating and are acoustic and airflow compliant.**

Complies with Part B, P, E, C, L | Acoustic tested to BS EN ISO 10140-2 & BS EN ISO 10140-3+A1 whilst satisfying Robust Details Appendix F requirements | Air-flow tested to BS 5250 | Fire rated in accordance with EN 1365-2, BS 476: Part 21

Full Compliance & Corresponding Test Certification Available



Solid Timber

Traditional solid wood joist which has been used in house building for decades.



I-Joist

Combining an engineered composite panel with high grade softwood.



Metal-Web / Open Web / Posi Joist

Combination of timber runners with metal webbing.

With the nature of fire testing and different types of joists, do not take for granted that a downlight tested in solid timber construction will maintain the same integrity within a construction using metal web or engineered 'I' Beam joists. FlameGuard® has been fire tested in floor constructions with these types of modern joists, and is compliant for 30, 60 and 90 minutes to BS EN 1365.

WHAT TO LOOK OUT FOR...



Fire rated downlights. Compliant in all ceiling types: Solid Timber, I-Joist and Metal-Web.



INCEPTOR® MILLI
CCT Dimmable LED Downlight

IP65



ADJUSTABLE COLOUR TEMPERATURE



30, 60 AND 90 MINUTE FIRE-RATING



INCEPTOR® OMNI^{V2}
Adjustable CCT Dimmable LED Downlight

IP54 ADJUSTABLE

IP65 FIXED



ADJUSTABLE COLOUR TEMPERATURE



30, 60 AND 90 MINUTE FIRE-RATING



INCEPTOR® NANO^{V2}
Compact Fire-Rated Dimmable LED Downlight

IP54 ADJUSTABLE

IP65 FIXED



120° BEAM ANGLE



30, 60 AND 90 MINUTE FIRE-RATING



INCEPTOR® NANO⁵
Compact Fire-Rated Dimmable LED Downlight

IP65 FIXED



120° BEAM ANGLE



30, 60 AND 90 MINUTE FIRE-RATING



PICO FG
Fire Rated Fixed Integrated LED Downlight



ADJUSTABLE COLOUR TEMPERATURE



30, 60 AND 90 MINUTE FIRE-RATING



FLAMEGUARD®
GU10 Cast Dimmable Downlight




30, 60 AND 90 MINUTE FIRE-RATING

INCEPTOR[®] MILLI



4 & 6.4W Dimmable Fixed Fire-Rated LED Downlight

The Milli is available in a standard and baffle version and has the ability to switch between 4W and 6.4W. The Milli features a pre-wired Flow™ connector and has a CCT switch which grants the ability to change the colour temperature instantly.



CCT Switch

The Milli has the ability to change the colour temperature between:

- 2700K - Warm White
- 4000K - Cool White
- 6500K - Daylight

Power Switchable

The Milli has the ability to change the Wattage between 4W and 6.4W

Broad Cut-Out Range

Great for replacing a broad range of downlights as can be installed in a wide scope of pre-existing downlight ceiling cut-outs (64mm-75mm) and still be 100% Fire rated

Pre-Wired Flow Connector

All of our Inceptor Milli downlights come pre-wired with a Fast-Fit 3 Pole & loop Flow connector. We also provide a loose push-fit Flow connector in the box which ensures a quick and easy installation process.



Insulation Coverable

The Inceptor Milli features an insulation cover which allows you to install the downlights safely under insulation, this gives the fitting an extra 5mm of distance away from the insulation, preventing overheating. Fire Rated to 30, 60 and 90 minutes and also feature an Intumescent Strip, which, when exposed to fire, expands to seal the gap between the luminaire and plasterboard.



- Insulation support**
Twist lock function prevents overheating to give an extra 5mm of distance away from insulation.
- CCT & dual wattage**
Switch between 4W & 6.4W & warm white, cool white & daylight.
- Intumescent tape**
- Moisture seal**
- Fire-rated integrated bezel heatsink**
- Heatsink**
- LED array**
- Reflector**
- Lens**
- Baffled version**
Choose between a White or Black baffle.
- 5 finish options**
Choose between White, Chrome, Satin Chrome, Black & Antique Brass



Dimmable as Standard



30, 60 and 90 Minute Fire-Rating



25° (Baffle)
60° (Standard)
Beam Angle



User Changeable Bezels (Baffle Version Only)



60mm Low Profile

4 - 6.4W Dimmable IP65 LED Fixed Downlights With CCT Switch



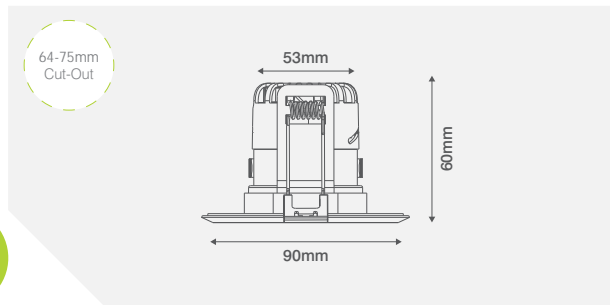
AVAILABLE FINISHES



CODE	DESCRIPTION
OXM-B	Fixed Downlight - Black
OXM-W	Fixed Downlight - White
OXM-CH	Fixed Downlight - Chrome
OXM-SC	Fixed Downlight - Satin Chrome
OXM-AB	Fixed Downlight - Antique Brass
OXM-W-10	Fixed Downlight - White (Pack of 10)

PRODUCT INFO			
CCT (K)	2700	4000	6500
Lumens (lm) 4W	430	480	480
Lumens (lm) 6.4W	720	800	800
Efficacy (lm/W)	108	120	120
Wattage (W)	4 / 6.4		
CRI	>80		
Beam Angle (°)	60		
LED Lifetime (Hrs)	35000		
Voltage (AC)	220-240		
Frequency (Hz)	50		
Dimmable	Yes		
Operating Temp (°C)	-5 to +25		

COMPATIBLE PRODUCTS		
OEP6501	3 Hour Universal Emergency Pack with prewired Flow Connectors	See page 68



Complete with prewired push-fit Flow™ Connector with loop terminal

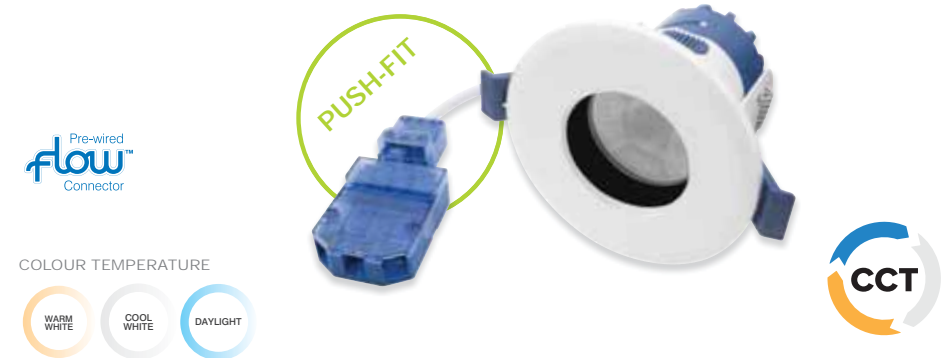
PRODUCT APPROVALS

BS EN 60598-1 BS EN 60598-2-2 BS EN 62471 BS EN 62031 BS EN 55015 BS EN 61547
 BS EN 62493 BS EN 61000-3-2 BS EN 61000-3-3 BS EN 61347-2-13
 Fire Rating: 30 Minutes: 1 Joists, Metal Web and Solid Timber Joists
 60 Minutes: 1 Joists, Metal Web and Solid Timber Joists
 90 Minutes: Solid Timber Joists Acoustic Rating: 0dB (zero impact on sound insulation)
 Air Flow™ BS 5250: 2011 compliant



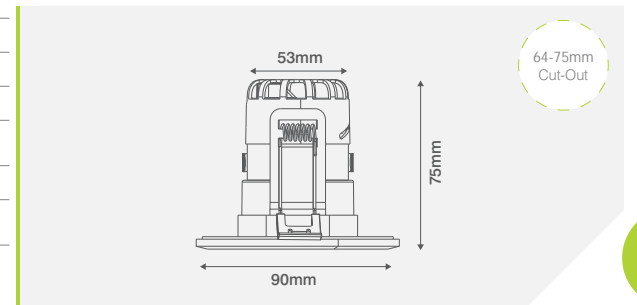
4 - 6.4W Dimmable IP65 LED Baffle Downlights With CCT Switch

AVAILABLE FINISHES



PRODUCT INFO			
CCT (K)	2700	4000	6500
Lumens (lm) 4W	350	380	370
Lumens (lm) 6.4W	550	600	580
Efficacy (lm/W) Black	86	94	91
Efficacy (lm/W) White	89	97	94
Wattage (W)	4 / 6.4		
CRI	>80		
Beam Angle (°)	25		
LED Lifetime (Hrs)	35000		
Voltage (AC)	220-240		
Frequency (Hz)	50		
Dimmable	Yes		
Operating Temp (°C)	-5 to +25		

CODE	DESCRIPTION	
OXMB-B-W	Baffle Downlight - Black Baffle White Bezel	
OXMB-W-W	Baffle Downlight - White Baffle White Bezel	
COMPATIBLE PRODUCTS		
OEP6501	3 Hour Universal Emergency Pack with prewired Flow Connectors	See page 68
OVBZMB	Baffled Downlight Bezels	See page 50



PRODUCT APPROVALS

Complete with prewired push-fit Flow™ Connector with loop terminal

BS EN 60598-1 BS EN 60598-2-2 BS EN 62471 BS EN 62031 BS EN 55015 BS EN 61547
 BS EN 62493 BS EN 61000-3-2 BS EN 61000-3-3 BS EN 61347-2-13 Fire Rating: 30
 Minutes: 1 Joists, Metal Web and Solid Timber Joists
 60 Minutes: 1 Joists, Metal Web and Solid Timber Joists
 90 Minutes: Solid Timber Joists Acoustic Rating: 0dB (zero impact on sound insulation)
 Air Flow™ BS 5250: 2011 compliant



Inceptor® Milli Baffle Downlight Bezels

AVAILABLE FINISHES



CODE	DESCRIPTION
OVBZMB-B	Bezel - Black
OVBZMB-CH	Bezel - Chrome
OVBZMB-SC	Bezel - Satin Chrome
OVBZMB-AB	Bezel - Antique Brass

COMPATIBLE PRODUCTS

- OXMB-W-W: 4-6.4W Dimmable LED Downlight With CCT Switch IP65 White Baffle White Bezel
- OXMB-B-W: 4-6.4W Dimmable LED Downlight With CCT Switch IP65 Black Baffle White Bezel



DOMESTIC

INCEPTOR® OMNI V2

Fire-Rated 6W Fixed & Adjustable LED Downlight

The OmniV2 features an integrated 3 Pole Flow™ connector with built in driver and CCT switch which grants the ability to change the colour temperature instantly.



Colour Temperature Adjustable

The OmniV2 has the ability to change the colour temperature between the below:

- 2700K - Warm White
- 4000K - Cool White
- 6500K - Daylight



Integrated Flow™ Connector

An integrated 3 Pole PUSH-FIT Flow™ connector with built in driver and CCT switch allows for quick and simple connection & setup.



Insulation Coverable

53mm recess depth low profile installation with no insulation support bracket needed thanks to the Flow™ integrated driver.



Part B, E and L Compliant:

Part B - Fire, Part E - Passage of Sound, Part L - Conservation of Fuel & Power.



Built in Insulation Support

Removes the need for a support clip.

Trademark intumescent strip

Our trademark blue strip of intumescent adds an extra barrier of protection against fire by expanding to fill the gap between the plasterboard and light fitting.

Improved cooling

Our patented, multi-functional heat sink not only channels heat away from the LED chip, it also grants the unit's ability to adapt from fixed to adjustable.

Top mounted cable grip



Inceptor® OmniV2 bezels

For use with OmniV2 available in Satin Chrome, Chrome, Antique Brass, Black, White & Grey finishes.

Faceted lens

Wide faceted lens gathers the natively broad beam of the LEDs and focuses the light into a series of beam angles creating optimal light output.

User-changeable fixed & adjustable bezels

The bezels for the OmniV2 have a twist and lock feature and can be quickly and easily replaced as required. There is the choice of 5 different finishes in both fixed and adjustable options.

Built in Flow™ Driver with CCT Switch

The Inceptor® OmniV2's high powered compact external driver has been designed to feature our trademark Flow™ connector to allow for quick and easy installation. The integrated CCT switchable colour temperature makes the OmniV2 colour changeable from 2700K - 6500K



Dimmable as Standard



30, 60 and 90 Minute Fire-Rating



60° Beam Angle



User Changeable Bezels



53mm Low Profile

6W Dimmable IP65 LED Downlight With CCT Switch



AVAILABLE FINISHES



CODE DESCRIPTION

- OV4700WH6D** Fixed Downlight - White
- OV4700CH6D** Fixed Downlight - Chrome
- OV4700SC6D** Fixed Downlight - Satin Chrome

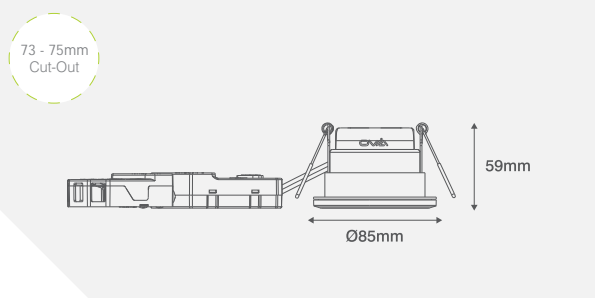


COMPATIBLE PRODUCTS

OV4700WH6D	Fixed Downlight - White	
OV4700CH6D	Fixed Downlight - Chrome	
OV4700SC6D	Fixed Downlight - Satin Chrome	
COMPATIBLE PRODUCTS		
OV4700WH6D	Fixed Bezel Range	See page 55
OV4700CH6D	Adjustable Bezel Range	See page 55
OV4700SC6D	130mm Diameter Converter Plate (only applicable for CH, WH and SC)	See page 66
OV4700SC6D	3 Hour Universal Emergency Pack with prewired Flow Connectors	See page 68

PRODUCT INFO

CCT (K)	2700	4000	6500
Lumens (lm)	600	620	600
Efficacy (lm/W)	100	103	100
Wattage (W)	6		
CRI	>80		
Beam Angle (°)	60		
LED Lifetime (Hrs)	25000		
Voltage (AC)	220-240		
Frequency (Hz)	50		
Dimmable	Yes		
Operating Temp (°C)	-5 to +40		



Complete with prewired push-fit Flow™ Connector & Driver

PRODUCT APPROVALS

BS EN 60598-1 BS EN 60598-2-2 BS EN 62471 BS EN 62031 BS EN 55015 BS EN 61547 BS EN 62493
 BS EN 61000-3-2 BS EN 61000-3-3 BS EN 61347-2-7
 Fire Rating 30 Minutes: 1' Joists, Metal Web and Solid Timber Joists60 Minutes: 1' Joists, Metal Web and Solid Timber Joists90 Minutes: Solid Timber Joists Acoustic Rating OdB (zero impact on sound insulation)
 Air Flow™ BS 5250: 2011 compliant



Inceptor® Omni^{V2} Bezels

AVAILABLE FINISHES



Fixed Bezel



CODE DESCRIPTION

OV4700WH6D	Fixed Bezel - White
OV4700CH6D	Fixed Bezel - Chrome
OV4700SC6D	Fixed Bezel - Satin Chrome
OV4700BK6D	Fixed Bezel - Matt Black
OV4700AB6D	Fixed Bezel - Antique Brass
OV4700GY6D	Fixed Bezel - Grey

Adjustable Bezel



CODE DESCRIPTION

OV4705WH6D	Adjustable Bezel - White
OV4705CH6D	Adjustable Bezel - Chrome
OV4705SC6D	Adjustable Bezel - Satin Chrome
OV4705BK6D	Adjustable Bezel - Matt Black
OV4705AB6D	Adjustable Bezel - Antique Brass
OV4705GY6D	Adjustable Bezel - Grey

7.5° Adjustable Angle



INCEPTOR[®] NANO^{V2}

Fire-Rated LED Downlight

Shallow recess depth with a powerful SMD light source, paired with a 60° Multi-faceted, Halogen-effect lens for exceptional light quality.



Fixed



Adjustable



Integrated Flow[™] Connector

An integrated 3 Pole Flow[™] driver allows for quick and simple connection & disconnection for initial and periodic testing to be carried out.



Insulation Support Bracket

Sold Separately - the removable Insulation Support Bracket has been developed to allow installers to lay thermal insulation directly over the top of the Inceptor[®] Nano^{V2}. Creating a 20mm air-space above the driver allows air to circulate and cool, therefore the driver dissipates heat more effectively and in-turn lets the luminaire run cooler.

Product Code: OVISC1020
See page 67



Part B, E and L Compliant:

Part B - Fire, Part E - Passage of Sound, Part L - Conservation of Fuel & Power.



Fire-rated body

The steel body, together with the intumescent band, provides the fittings' with 30, 60 & 90 minute fire-ratings. The unique twin-section bracket has been optimised to provide maximum heat deflection for the lowest possible weight.

SMD LED technology

SMD LED's require lower current and create less heat than standard LEDs, perfect when space is at a premium.

Trademark intumescent strip

Our trademark blue strip of intumescent adds an extra barrier of protection against fire by expanding to fill the gap between the plasterboard and light fitting

Optics platform

The optics platform comprises of an aluminium body which holds the lens creating a 60° beam angle

Faceted lens (halogen effect)

The custom-built, multifaceted lens gathers the natively broad beam of the SMD LED and focuses the emitted light into a 60° beam angle to provide a clean crisp light that rivals a traditional halogen lamp

Moisture seals

Ensures that water does not enter ceiling void through or around the fitting and seals the unit, making it suitable for kitchens and bathrooms.

Inceptor[®] converter plates

For use with Inceptor[®] Downlights, up to 120mm cut-out available in Satin Chrome, Chrome and White finishes.

Compact driver & Flow[™] connector

The Inceptor Nano^{V2} has a custom built, high powered and extremely compact driver which has been built inside a Flow[™] connector to achieve quick and easy installation.



Dimmable as Standard



30, 60 and 90 Minute Fire-Rating



60° Beam Angle



35,000 Hour Lifetime

5.5W Dimmable IP65 LED Fixed Downlights

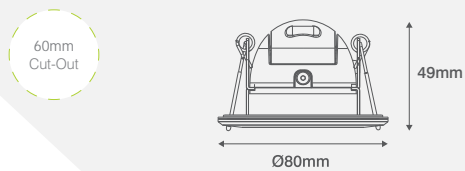


Pre-wired
flow
Connector



CODE	DESCRIPTION
OV5700WH5CD	Fixed Downlight - 4000K - White
OV5700WH5WD	Fixed Downlight - 2700K - White
OV5700CH5CD	Fixed Downlight - 4000K - Chrome
OV5700CH5WD	Fixed Downlight - 2700K - Chrome
OV5700SC5CD	Fixed Downlight - 4000K - Satin Chrome
OV5700SC5WD	Fixed Downlight - 2700K - Satin Chrome

COMPATIBLE PRODUCTS		
OVISC1020	Insulation Support Bracket	See page 67
OEP6501	3 Hour Universal Emergency Pack with prewired Flow Connectors	See page 68
OVSP4120**	130mm Diameter Converter Plate	See page 66



PRODUCT INFO		
CCT (K)	2700	4000
Lumens (lm)	510	565
Efficacy (lm/W)	93	103
Wattage (W)	5.5	
CRI	>80	
Beam Angle (°)	60	
LED Lifetime (Hrs)	35000	
Voltage (AC)	220-240	
Frequency (Hz)	50/60	
Dimmable	Yes	
Operating Temp (°C)	-5 to +40	

Complete with prewired push-fit Flow™ Connector & Driver

PRODUCT APPROVALS

BS EN 60598-1 BS EN 60598-2-2 BS EN 55015 BS EN 62031 BS EN 62471 BS EN 61347-2-13 BS EN 61547 BS EN 62493 BS EN 61000-3-2 & BS EN 61000-3-3

Fire Rating 30 Minutes: 'I' Joists, Metal Web and Solid Timber Joists
60 Minutes: 'I' Joists, Metal Web and Solid Timber Joists
90 Minutes: Solid Timber Joists Acoustic Rating 0dB (zero impact on sound insulation) Air Flow™ BS 5250: 2011 compliant



5.5W Dimmable IP54 LED Adjustable Downlights

AVAILABLE FINISHES



Pre-wired
flow
Connector

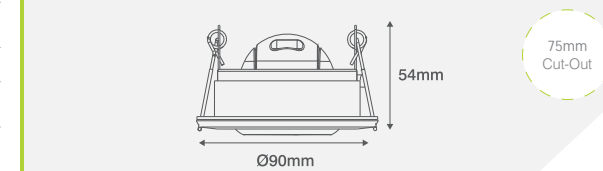
COLOUR TEMPERATURE



PRODUCT INFO		
CCT (K)	2700	4000
Lumens (lm)	565	103
Efficacy (lm/W)	510	93
Wattage (W)	5.5	
CRI	>80	
Beam Angle (°)	60	
LED Lifetime (Hrs)	35000	
Voltage (AC)	220-240	
Frequency (Hz)	50/60	
Dimmable	Yes	
Operating Temp (°C)	-5 to +40	

CODE	DESCRIPTION
OV5705WH5CD	Adjustable Downlight - 4000K - White
OV5705WH5WD	Adjustable Downlight - 2700K - White
OV5705CH5CD	Adjustable Downlight - 4000K - Chrome
OV5705CH5WD	Adjustable Downlight - 2700K - Chrome
OV5705SC5CD	Adjustable Downlight - 4000K - Satin Chrome
OV5705SC5WD	Adjustable Downlight - 2700K - Satin Chrome

COMPATIBLE PRODUCTS		
OVISC1020	Insulation Support Bracket	See page 67
OEP6501	3 Hour Universal Emergency Pack with prewired Flow Connectors	See page 68
OVSP3120**	130mm Diameter Converter Plate	See page 66



PRODUCT APPROVALS

Complete with prewired push-fit Flow™ Connector & Driver 20° Adjustable Angle

BS EN 60598-1 BS EN 60598-2-2 BS EN 55015 BS EN 62031 BS EN 62471 BS EN 61347-2-13 BS EN 61547 BS EN 62493 BS EN 61000-3-2 & BS EN 61000-3-3

Fire Rating 30 Minutes: 'I' Joists, Metal Web and Solid Timber Joists
60 Minutes: 'I' Joists, Metal Web and Solid Timber Joists
90 Minutes: Solid Timber Joists Acoustic Rating 0dB (zero impact on sound insulation) Air Flow™ BS 5250: 2011 compliant



DOMESTIC

DOMESTIC



INCEPTOR[®] NANO⁵

4.8W Fire-Rated LED Downlight

Shallow recess depth with a powerful SMD light source, paired with a 40° Multi-faceted, Halogen-effect lens for exceptional light quality.



Integrated Flow[™] Connector

An integrated 3 Pole Flow[™] connector allows for quick and simple connection & disconnection for initial and periodic testing to be carried out.



Insulation Support Bracket

Sold Separately - the removable Insulation Support Bracket has been developed to allow installers to lay thermal insulation directly over the top of the Inceptor[®] Nano5. Creating a 20mm air-space above the driver allows air to circulate and cool, therefore the driver dissipates heat more effectively and in-turn lets the luminaire run cooler.



Part B, E and L Compliant:
Part B - Fire, Part E - Passage of Sound, Part L - Conservation of Fuel & Power.



Engine

The engine combines a 4.8W Dimmable driver, Cast Aluminium Heat Sink and SMD LED chip together with a Flow[™] connector for straight-to-mains connection.

Compact driver

The Inceptor[®] Nano⁵ has a custom-built, high-powered and extremely compact driver, designed to deliver maximum power in the smallest possible space.

Fire-rated body

The steel body, together with the Intumescent band, provides the fittings' 30, 60 & 90 minute fire-ratings. The unique twin-section bracket has been optimised to provide maximum heat deflection for the lowest possible weight.

Optics platform

The optics platform comprises an aluminium body which holds the Lens creating a 40° beam angle.

SMD LED technology

SMD LED's require lower current and create less heat than standard LEDs, perfect when space is at a premium.

Trademark intumescent strip

Our trademark blue strip of intumescent adds an extra barrier of protection against fire by expanding to fill the gap between the plasterboard and light fitting.

Faceted lens (halogen effect)

The custom-built, multifaceted lens gathers the natively broad beam of the SMD LED and focuses the emitted light into a 40° beam angle to provide a clean, crisp light that rivals a traditional halogen lamp.

Moisture seals

Ensures that water does not enter ceiling void through or around the fitting and seals the unit making it suitable for kitchens and bathrooms.

Inceptor[®] converter plates

For use with Inceptor[®] Downlights, up to 120mm cut-out available in Satin Chrome, Chrome and White finishes.



Dimmable as Standard



30, 60 and 90 Minute Fire-Rating



40° Beam Angle



25,000 Hour Lifetime

4.8W Dimmable IP65 LED Fixed Downlights

DOMESTIC



AVAILABLE FINISHES



COLOUR TEMPERATURE



CODE DESCRIPTION

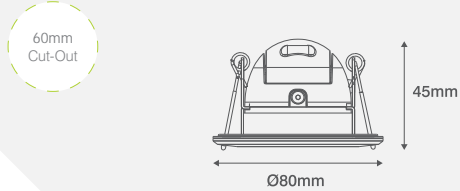
OV5400WH5WD	Fixed Downlight - 2700K - White
OV5400WH5CD	Fixed Downlight - 4000K - White
OV5400CH5WD	Fixed Downlight - 2700K - Chrome
OV5400CH5CD	Fixed Downlight - 4000K - Chrome
OV5400SC5WD	Fixed Downlight - 2700K - Satin Chrome
OV5400SC5CD	Fixed Downlight - 4000K - Satin Chrome

COMPATIBLE PRODUCTS

OVSP4120**	130mm Diameter (65mm Aperture) Converter Plate	See page 66
OVISC1020	Insulation Support Bracket	See page 67
OEP6501	3 Hour Universal Emergency Pack with prewired Flow Connectors	See page 68

PRODUCT INFO

Circuit Wattage (W)	4.8	
CCT (K)	2700	4000
Lumens (lm)	400	450
Efficacy (lm/W)	71	81
CRI	> 80	
Beam Angle (°)	40	
LED Lifetime (Hrs)	25000	
Voltage (AC)	220-240	
Frequency (Hz)	50/60	
Dimmable	Yes	
Operating Temp (°C)	-5 to +40	



Complete with prewired Flow™ Connector

PRODUCT APPROVALS

BS EN 60598-1 BS EN 60598-2-1 BS EN 55015 BS EN 61547 BS EN 62493 BS EN 61000-3-2 BS EN 61000-3-3

Fire Rating 30 Minutes: T Joists, Metal Web and Solid Timber Joists
60 Minutes: T Joists, Metal Web and Solid Timber Joists
90 Minutes: Solid Timber Joists Acoustic Rating OdB (zero impact on sound insulation) Air Flow™ BS 5250: 2011 compliant



5.5W Dimmable IP65 LED Fixed Downlights



AVAILABLE FINISHES



COLOUR TEMPERATURE

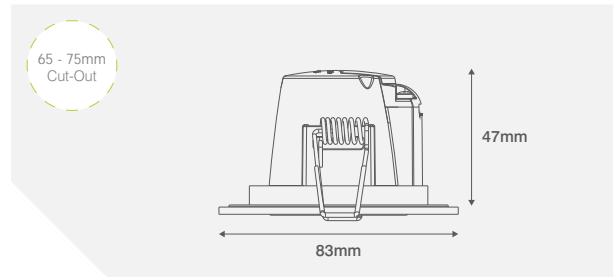


CODE	DESCRIPTION
------	-------------

- OV3500WH5WD** Fixed Downlight - 2700K - White
- OV3500WH5CD** Fixed Downlight - 4000K - White
- OV3500CH5WD** Fixed Downlight - 2700K - Chrome
- OV3500CH5CD** Fixed Downlight - 4000K - Chrome
- OV3500SC5WD** Fixed Downlight - 2700K - Satin Chrome
- OV3500SC5CD** Fixed Downlight - 4000K - Satin Chrome
- OV3500GBK5WD** Fixed Downlight - 2700K - Gloss Black
- OV3500GBK5CD** Fixed Downlight - 4000K - Gloss Black

COMPATIBLE PRODUCTS

- OVSP4120**** 130mm Diameter (65mm Aperture) Converter Plates See page 66
- OEP6501** 3 Hour Universal Emergency Pack with prewired Flow Connectors See page 68



With loop-in & out terminals

PRODUCT APPROVALS

BS EN 60598-1 BS EN 60598-2-2 BS EN 62493



5.5W Fire Rated Dimmable IP65 LED Fixed Downlights

AVAILABLE FINISHES



COLOUR TEMPERATURE



PRODUCT INFO	
--------------	--

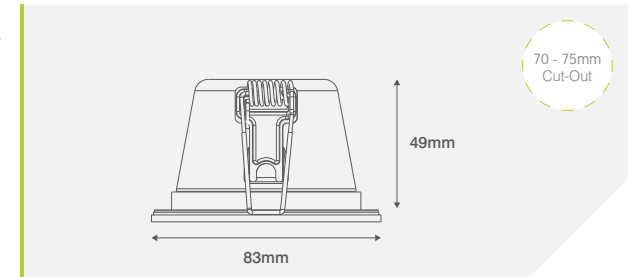
Circuit Wattage (W)	5.5
CCT (K)	2700 4000
Lumens (lm)	340 380
Efficacy (lm/W)	61 69
CRI	>80
Beam Angle (°)	90
LED Lifetime (Hrs)	20000
Voltage (AC)	220-240
Frequency (Hz)	50/60
Dimmable	Yes
Operating Temp (°C)	-15 to +40

CODE	DESCRIPTION
------	-------------

- OV3600WH5WD** Fire Rated Fixed Downlight - 2700K - White
- OV3600WH5CD** Fire Rated Fixed Downlight - 4000K - White
- OV3600CH5WD** Fire Rated Fixed Downlight - 2700K - Chrome
- OV3600CH5CD** Fire Rated Fixed Downlight - 4000K - Chrome
- OV3600SC5WD** Fire Rated Fixed Downlight - 2700K - Satin Chrome
- OV3600SC5CD** Fire Rated Fixed Downlight - 4000K - Satin Chrome

COMPATIBLE PRODUCTS

- OVSP3120**** 130mm Diameter (75mm Aperture) Converter Plates See page 66
- OEP6501** 3 Hour Universal Emergency Pack with prewired Flow Connectors See page 68
- OVISC1020** Insulation Support Bracket See page 67



PRODUCT APPROVALS

BS EN 60598-1 BS EN 60598-2-2 BS EN 61347-2-13

Fire Rating: 30 Minutes: 'I' Joists, Metal Web and Solid Timber Joists 60 Minutes: 'I' Joists, Metal Web and Solid Timber Joists 90 Minutes: Solid Timber Joists Acoustic Rating: 0dB (zero impact on sound insulation) Air Flow: BS 5250: 2011 compliant



Accessories



130mm Diameter 65mm Aperture Converter Plate

CODE DESCRIPTION

- OVSP4120WH** Converter Plate - White
- OVSP4120CH** Converter Plate - Chrome
- OVSP4120SC** Converter Plate - Satin Chrome

Suitable for Inceptor® NanoV2 (fixed) and standard Inceptor® Pico downlights.

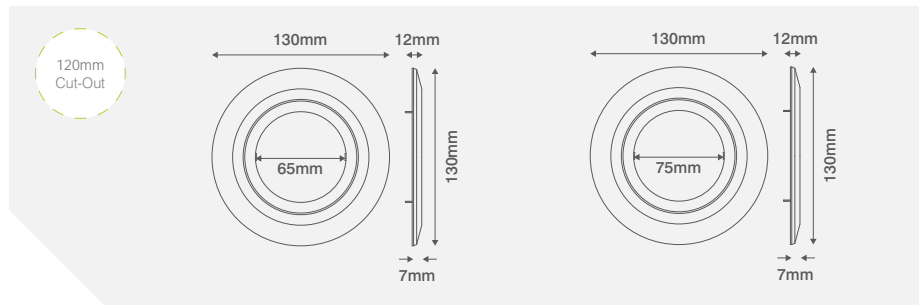


130mm Diameter 75mm Aperture Converter Plate

CODE DESCRIPTION

- OVSP3120WH** Converter Plate - White
- OVSP3120CH** Converter Plate - Chrome
- OVSP3120SC** Converter Plate - Satin Chrome

Suitable for Inceptor® OmniV2 (fixed & adjustable), Inceptor® NanoV2 (adjustable) & Inceptor® Pico FG Downlights



IP65 Downlight Cast Bezels



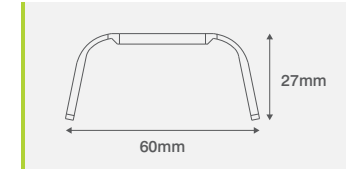
CODE DESCRIPTION

- OVGF495WH** IP65 Bezel - White
- OVGF495CH** IP65 Bezel - Chrome
- OVGF495SC** IP65 Bezel - Satin Chrome



Suitable for OVGU395, GU795 & OVGZ096

Insulation Support Bracket



CODE DESCRIPTION QTY

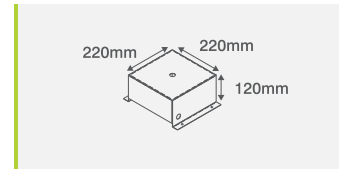
- OVISC1020** Clip On Bracket (PK 10) 10

AVAILABLE FINISHES



Suitable for Use with NanoV2, Nano° & Pico FG

Insulation Support Box



CODE DESCRIPTION

- OVGB400** Insulation Support Box

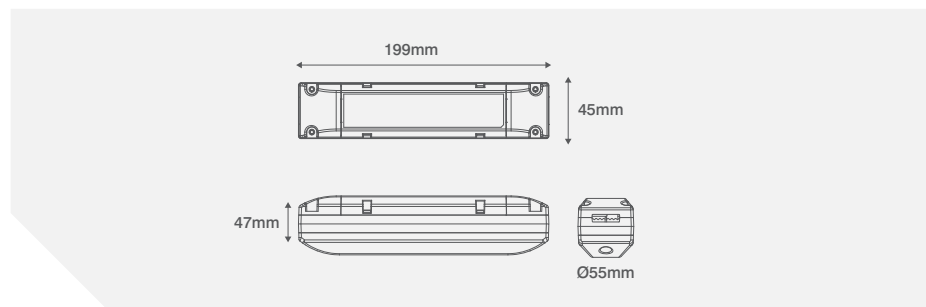
Supplied Flatpacked

3 Hour Universal Emergency Control Gear

DOMESTIC



CODE	DESCRIPTION	PRODUCT INFO										
OEP6501	6.5W Universal Emergency Pack	<table border="1"> <tr> <td>Circuit Wattage (W)</td> <td>6.5</td> </tr> <tr> <td>Voltage (AC)</td> <td>220-240</td> </tr> <tr> <td>Frequency (Hz)</td> <td>50/60</td> </tr> <tr> <td>Operating Temp (°C)</td> <td>+5 to +60</td> </tr> <tr> <td>Duration (Hrs)</td> <td>3</td> </tr> </table>	Circuit Wattage (W)	6.5	Voltage (AC)	220-240	Frequency (Hz)	50/60	Operating Temp (°C)	+5 to +60	Duration (Hrs)	3
Circuit Wattage (W)	6.5											
Voltage (AC)	220-240											
Frequency (Hz)	50/60											
Operating Temp (°C)	+5 to +60											
Duration (Hrs)	3											
<p>Inceptor® Milli, Inceptor® Nano5, Inceptor® Nano V2, Inceptor® Omni V2, Pico & Pico FG</p>												



Complete with prewired Flow™ Connectors

PRODUCT APPROVALS



BS EN 61347-2-7; BS EN 55015; BS EN 61547; BS EN 61000-3-2

FLAMEGUARD®



5 YEAR WARRANTY



JOIST FIRE RATED



UP TO IP65 RATED



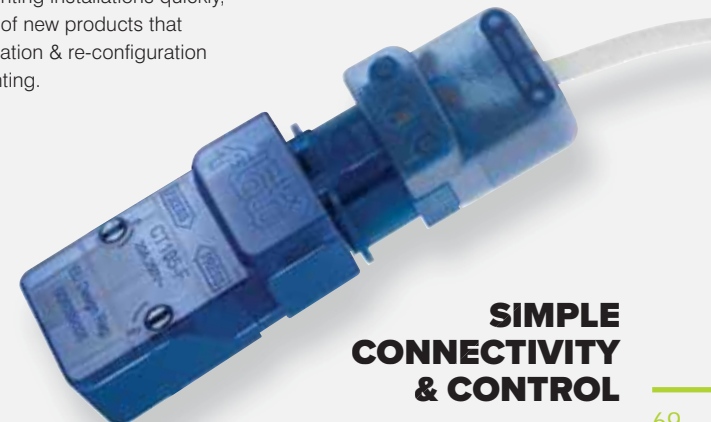
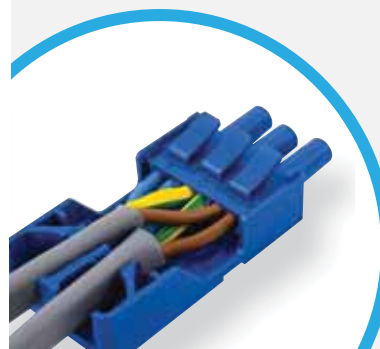
PRE-WIRED FLOW CONNECTOR



PUSH-FIT CLICK FLOW CONNECTORS



The Click Flow range has been designed specifically to help contractors create more complex lighting installations quickly, easily & safely. It features a number of new products that allow the quick connection, configuration & re-configuration of circuits, primarily intended for lighting.



SIMPLE CONNECTIVITY & CONTROL

50W Max. GU10 Cast Fixed Downlight



AVAILABLE FINISHES



OVGU700

COMPLETE WITH PREWIRED PUSH-FIT FLOW™ CONNECTOR

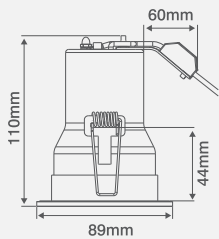
OVGU300

COMPLETE WITH PREWIRED FLOW™ CONNECTOR WITH LOOP TERMINAL

CODE	DESCRIPTION
OVGU700WH	GU10 Fixed Downlight - White
OVGU700CH	GU10 Fixed Downlight - Chrome
OVGU700SC	GU10 Fixed Downlight - Satin Chrome

CODE	DESCRIPTION
OVGU300WH	GU10 Fixed Downlight - White
OVGU300CH	GU10 Fixed Downlight - Chrome
OVGU300SC	GU10 Fixed Downlight - Satin Chrome

70mm Cut-Out



PRODUCT INFO

Wattage (W)	50
Voltage (AC)	220-240



PRODUCT APPROVALS

BS EN 60598-1 BS EN 60598-2-2 BS 476: Part 21 BS EN 1365-2 BS EN ISO 10140-2 BS EN ISO 10140-3 BS 5250

Fire Rating: 30 Minutes: 1 Joists, Metal Web and Solid Timber Joists
60 Minutes: 1 Joists, Metal Web and Solid Timber Joists
90 Minutes: Solid Timber Joists Acoustic Rating 0dB (zero impact on sound insulation) Air Flow™ BS 5250: 2011 compliant



50W Max. GU10 Fixed Downlight

AVAILABLE FINISHES



OVGU715

COMPLETE WITH PREWIRED PUSH-FIT FLOW™ CONNECTOR

OVGU315

COMPLETE WITH PREWIRED FLOW™ CONNECTOR WITH LOOP TERMINAL

CODE	DESCRIPTION
OVGU715WH	GU10 Fixed Downlight - White
OVGU715CH	GU10 Fixed Downlight - Chrome
OVGU715SC	GU10 Fixed Downlight - Satin Chrome

CODE	DESCRIPTION
OVGU315WH	GU10 Fixed Downlight - White
OVGU315CH	GU10 Fixed Downlight - Chrome
OVGU315SC	GU10 Fixed Downlight - Satin Chrome

PRODUCT INFO

Wattage (W)	50
Voltage (AC)	220-240

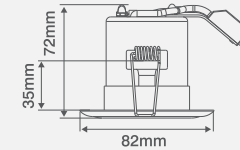


PRODUCT APPROVALS

BS EN 60598-1 BS EN 60598-2-2 BS 476: Part 21 BS EN 1365-2 BS EN ISO 10140-2 BS EN ISO 10140-3 BS 5250

Fire Rating: 30 Minutes: 1 Joists, Metal Web and Solid Timber Joists
60 Minutes: 1 Joists, Metal Web and Solid Timber Joists
90 Minutes: Solid Timber Joists Acoustic Rating 0dB (zero impact on sound insulation) Air Flow™ BS 5250: 2011 compliant

70mm Cut-Out



50W Max. GU10 Cast Adjustable Downlight



AVAILABLE FINISHES



OVGU705

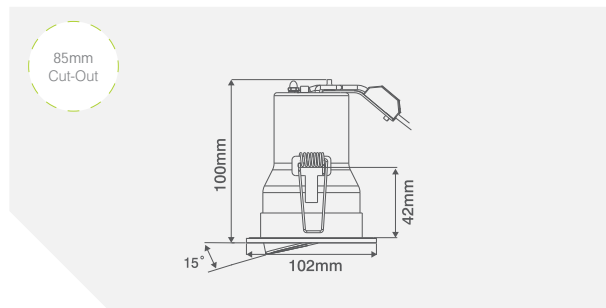
COMPLETE WITH PREWIRED PUSH-FIT FLOW™ CONNECTOR

OVGU305

COMPLETE WITH PREWIRED FLOW™ CONNECTOR WITH LOOP TERMINAL

CODE	DESCRIPTION
OVGU705WH	GU10 Adjustable Downlight - White
OVGU705CH	GU10 Adjustable Downlight - Chrome
OVGU705SC	GU10 Adjustable Downlight - Satin Chrome

CODE	DESCRIPTION
OVGU305WH	GU10 Adjustable Downlight - White
OVGU305CH	GU10 Adjustable Downlight - Chrome
OVGU305SC	GU10 Adjustable Downlight - Satin Chrome



PRODUCT INFO

Wattage (W)	50
Voltage (AC)	220-240



15° Adjustable Angle

PRODUCT APPROVALS

BS EN 60598-1 BS EN 60598-2-2 BS 476: Part 21 BS EN 1365-2 BS EN ISO 10140-2 BS EN ISO 10140-3 BS 5250
 Fire Rating 30 Minutes: 1 Joists, Metal Web and Solid Timber Joists
 60 Minutes: 1 Joists, Metal Web and Solid Timber Joists
 90 Minutes: Solid Timber Joists Acoustic Rating OdB (zero impact on sound insulation) BS 5250: 2011 compliant



50W Max. GU10 Adjustable Downlight

AVAILABLE FINISHES



OVGU720

COMPLETE WITH PREWIRED PUSH-FIT FLOW™ CONNECTOR

OVGU320

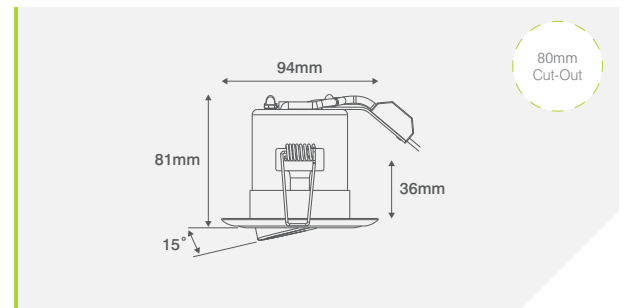
COMPLETE WITH PREWIRED FLOW™ CONNECTOR WITH LOOP TERMINAL

CODE	DESCRIPTION
OVGU720WH	GU10 Adjustable Downlight - White
OVGU720CH	GU10 Adjustable Downlight - Chrome
OVGU720SC	GU10 Adjustable Downlight - Satin Chrome

CODE	DESCRIPTION
OVGU320WH	GU10 Adjustable Downlight - White
OVGU320CH	GU10 Adjustable Downlight - Chrome
OVGU320SC	GU10 Adjustable Downlight - Satin Chrome

PRODUCT INFO

Wattage (W)	50
Voltage (AC)	220-240



PRODUCT APPROVALS

15° Adjustable Angle

BS EN 60598-1 BS EN 60598-2-2 BS 476: Part 21 BS EN 1365-2 BS EN ISO 10140-2 BS EN ISO 10140-3 BS 5250
 Fire Rating 30 Minutes: 1 Joists, Metal Web and Solid Timber Joists
 60 Minutes: 1 Joists, Metal Web and Solid Timber Joists
 90 Minutes: Solid Timber Joists Acoustic Rating OdB (zero impact on sound insulation) BS 5250: 2011 compliant



50W Max. GU10 IP65 Downlight Housing



OVGU795

COMPLETE WITH PREWIRED PUSH-FIT FLOW™ CONNECTOR WITH LOOP TERMINAL

OVGU395

COMPLETE WITH PREWIRED FLOW™ CONNECTOR WITH LOOP TERMINAL

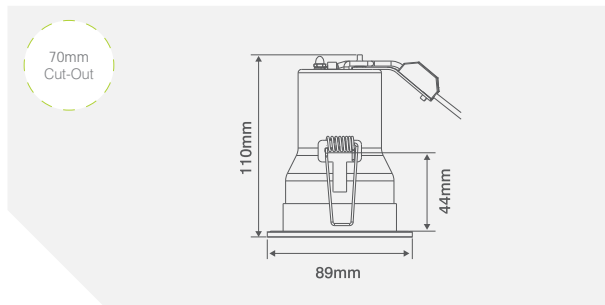
CODE	DESCRIPTION	CODE	DESCRIPTION
OVGU795	GU10 Downlight Housing	OVGU395	GU10 Downlight Housing

COMPATIBLE PRODUCTS

- OVGF495WH** Cast IP65 Bezel - White
- OVGF495CH** Cast IP65 Bezel - Chrome
- OVGF495SC** Cast IP65 Bezel - Satin Chrome



See page 67



PRODUCT INFO

Wattage (W)	50
Voltage (AC)	220-240



IP65 Rated When OVGF495 IP65 Bezel Fitted. Complete with prewired Flow™ Connector with loop terminal

PRODUCT APPROVALS

BS EN 60598-1 BS EN 60598-2-2 BS 476: Part 21 BS EN 1365-2 BS EN ISO 10140-2 BS EN ISO 10140-3 BS 5250
 Fire Rating 30 Minutes: 1 Joists, Metal Web and Solid Timber Joists
 60 Minutes: 1 Joists, Metal Web and Solid Timber Joists
 90 Minutes: Solid Timber Joists Acoustic Rating OdB (zero impact on sound insulation) Air Flow™ BS 5250: 2011 compliant



50W Max. GZ10/GU10 IP65 Downlight Frame

COMPATIBLE PRODUCTS:



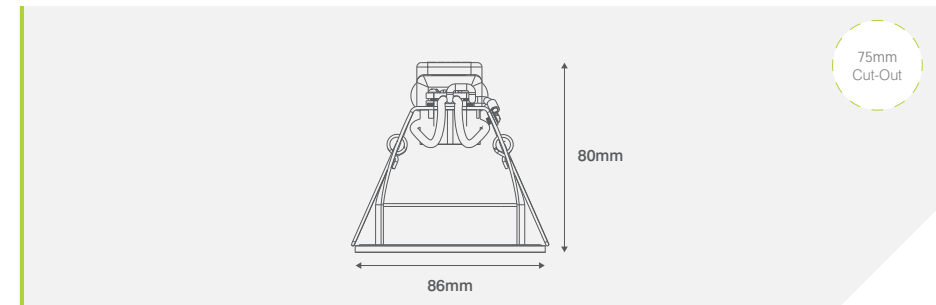
PRODUCT INFO	
Wattage (W)	50
Voltage (AC)	220-240

CODE	DESCRIPTION
OVZ096	GZ/GU10 Downlight Frame

COMPATIBLE PRODUCTS

- OVGF495WH** Cast IP65 Bezel - White
- OVGF495CH** Cast IP65 Bezel - Chrome
- OVGF495SC** Cast IP65 Bezel - Satin Chrome

See page 67



PRODUCT APPROVALS

BS EN 60598-1 BS EN 60598-2-2

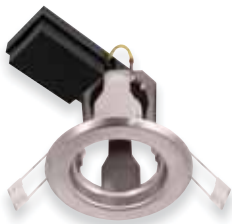
IP65 Rated When OVGF495 IP65 Bezel Fitted. Complete with prewired Flow™ Connector with loop terminal.



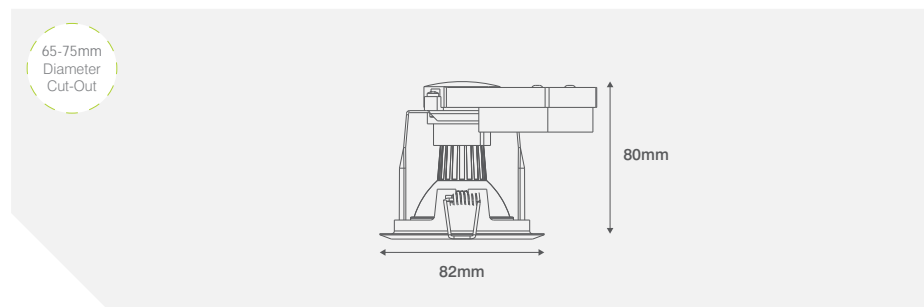
50W Max. GZ10/GU10 Fixed Downlights

WARRANTY
IP20
1
 YEAR

AVAILABLE FINISHES



CODE	DESCRIPTION	PRODUCT INFO
OVGZ015WH	GZ/GU10 Fixed Downlight - White	Wattage (W) 50
OVGZ015SC	GZ/GU10 Fixed Downlight - Satin Chrome	Voltage (AC) 220-240



PRODUCT APPROVALS

BS EN 60598-1 BS EN 60598-2-2



50W Max. GZ10/GU10 Adjustable Downlight

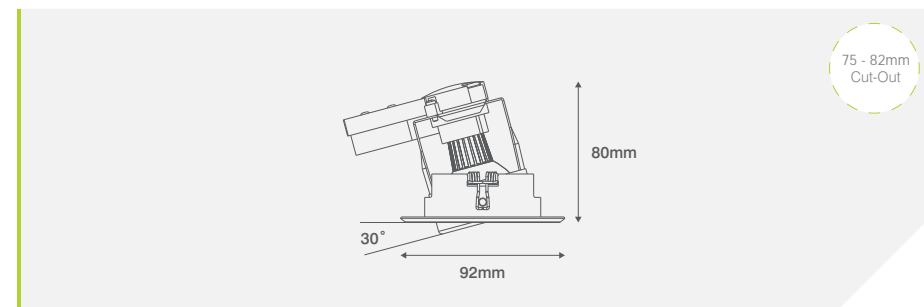
AVAILABLE FINISHES



WARRANTY
1
 YEAR
IP20



PRODUCT INFO	CODE	DESCRIPTION
Wattage (W) 50	OVGZ020CH	GZ/GU10 Adjustable Downlight - Chrome
Voltage (AC) 220-240	OVGZ020SC	GZ/GU10 Adjustable Downlight - Satin Chrome



PRODUCT APPROVALS

BS EN 60598-1 BS EN 60598-2-2

30° Adjustable Angle



DOMESTIC

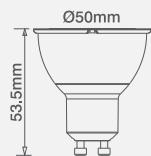
DOMESTIC

4.9W GU10 LED Lamps



CODE	DESCRIPTION
OVLA1009W4	4.9W GU10 LED Lamp - 2700K
OVLA1010C4	4.9W GU10 LED Lamp - 4000K

PRODUCT INFO		
Circuit Wattage (W)	4.9	
CCT (K)	2700	4000
Lumens (lm)	465	490
Efficacy (lm/W)	95	100
CRI	>80	
Beam Angle (°)	38	
LED Lifetime (Hrs)	25000	
Voltage (AC)	220-240	
Frequency (Hz)	50	
Dimmable	No	
Operating Temp (°C)	-25 to +40	



PRODUCT APPROVALS

BS EN 62560 BS EN 62471 BS EN 62493 BS EN 55015 BS EN 61547 BS EN 61000-3-2 BS EN 61000-3-3



4.9W GU10 Dimmable LED Lamps

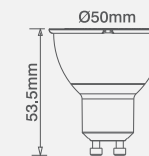


COLOUR TEMPERATURE



PRODUCT INFO		
Circuit Wattage (W)	4.9	
CCT (K)	2700	4000
Lumens (lm)	408	465
Efficacy (lm/W)	85	95
CRI	>80	
Beam Angle (°)	38	
LED Lifetime (Hrs)	25000	
Voltage (AC)	220-240	
Frequency (Hz)	50	
Dimmable	Yes	
Operating Temp (°C)	-25 to +40	

CODE	DESCRIPTION
OVLA1011W4D	4.9W GU10 LED Dimmable Lamp - 2700K
OVLA1012C4D	4.9W GU10 LED Dimmable Lamp - 4000K



PRODUCT APPROVALS

BS EN 62560; BS EN 62471; BS EN 62493; BS EN 55015; BS EN 61547; BS EN 61000-3-2; BS EN 61000-3-3



DOMESTIC

DOMESTIC

7W LED Dual Voltage Shaver Luminaire - IP20

DOMESTIC

WARRANTY

IP20

3
YEAR

AVAILABLE FINISHES

CHROME

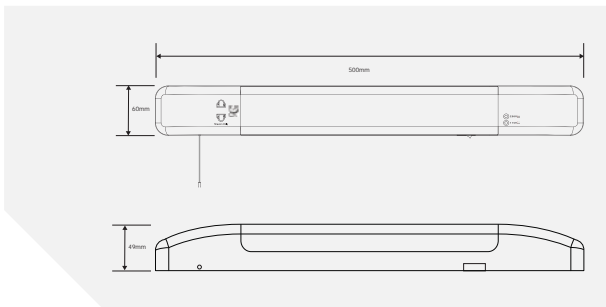
WHITE



COOL WHITE

CODE	DESCRIPTION
ON7-W	7W Shaver Luminaire - 4000K - White
ON7-CH	7W Shaver Luminaire - 4000K - Chrome

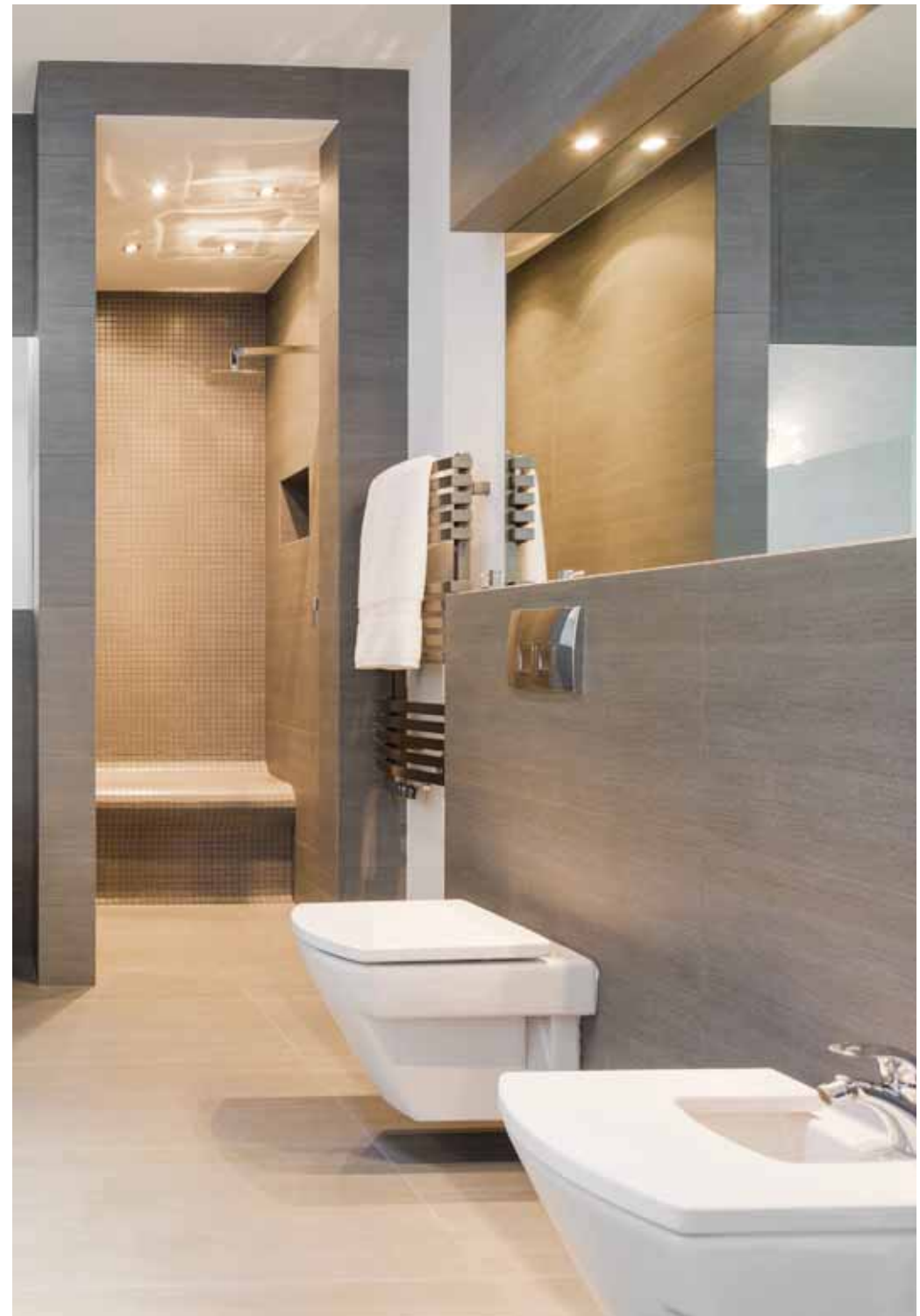
PRODUCT INFO	
CCT (K)	4000
Lumens (lm)	480
Efficacy (lm/W)	70
Wattage (W)	7
CRI	80
Beam Angle (°)	110
LED Lifetime (Hrs)	54000
Voltage (V~)	220-240
Frequency (Hz)	50/60
Dimmable	No
Operating Temp (°C)	-20 to +40



Pull cord light switch. Switch between 115V and 230V shaver outputs

PRODUCT APPROVALS

BS EN 60598-2-22 BS EN 55015 BS EN 61000-3-2 BS EN 61000-3-3 BS EN 61547 BS EN 62031 BS EN 62493



0.8W 12V IP44 LED Plastic Starlight



AVAILABLE FINISHES



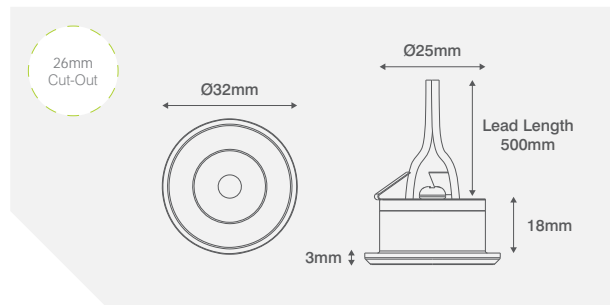
COLOUR TEMPERATURE



CODE	DESCRIPTION
OV204DLWH	Recessed Plastic Starlight - White
OV204DLCH	Recessed Plastic Starlight - Chrome
OV204DLSC	Recessed Plastic Starlight - Satin Chrome

PRODUCT INFO	
Circuit Wattage (W)	0.8
CCT (K)	6000
Lumens (lm)	80
Voltage (DC)	12
Lens Type	Clear

COMPATIBLE PRODUCTS		
OVTR301	0.5-15Va 12V DC LED Driver (Non-dimmable)	See page 132



Prewired with 0.5 metre flylead

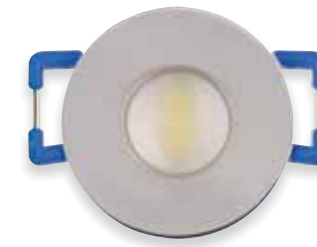
PRODUCT APPROVALS

BS EN 60598-1 BS EN 60598-2-1 BS EN 55015 BS EN 61000-3-2 BS EN 61000-3-3 BS EN 61547



1.6W 12V IP44 LED Cast Starlight

AVAILABLE FINISHES



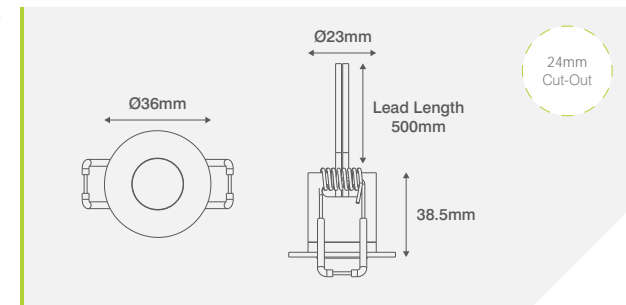
COLOUR TEMPERATURE



PRODUCT INFO	
Circuit Wattage (W)	1.6
CCT (K)	6000
Lumens (lm)	100
Voltage (DC)	12
Lens Type	Opal

CODE	DESCRIPTION
OV203DLWH	Recessed Cast Starlight - White
OV203DLCH	Recessed Cast Starlight - Chrome
OV203DLSC	Recessed Cast Starlight - Satin Chrome

COMPATIBLE PRODUCTS		
OVTR301	0.5-15Va 12V DC LED Driver (Non-dimmable)	See page 132



PRODUCT APPROVALS

Prewired with 0.5 metre flylead

BS EN 60598-1 BS EN 60598-2-1 BS EN 55015 BS EN 61000-3-2 BS EN 61000-3-3 BS EN 61547



INCEPTOR[®] INTENSE



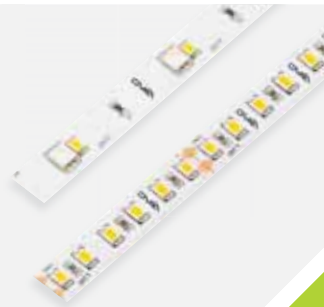
24V LED Strips



Complete Customisation

Our LED Strips come in pre-cut lengths from 0.5m to 5m, offering complete versatility and ensuring a quick and easy installation.

This coupled with designated cutting points allows total flexibility for every installation.



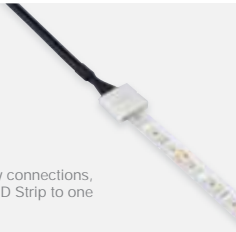
Getting Set Up...

STEP 1.



Peel the adhesive back from your chosen LED Strip and place down on a clean and even surface.

STEP 2.



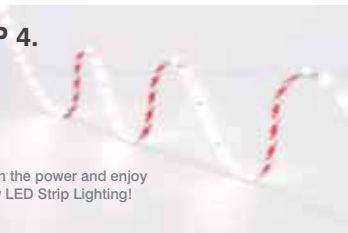
Utilising the plug and play connections, connect the end of the LED Strip to one of our Driver Leads.

STEP 3.



Connect the Driver Lead to your chosen LED Driver. Then ensure the LED Driver is connected to the mains.

STEP 4.



Switch on the power and enjoy your new LED Strip Lighting!

CONFIGURE YOUR OWN LED STRIP

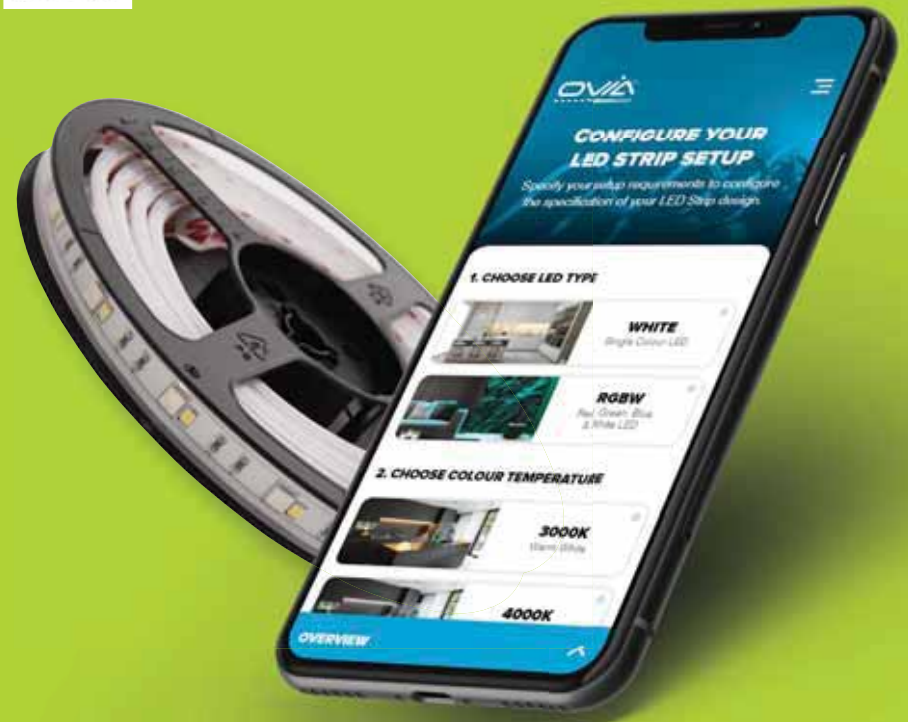
Download the Scolmore[®] Group App!

FOR OUR SIMPLE LED TAPE CONFIGURATOR

Enabling you to create the perfect LED tape setup with an easy step by step guide.



Simply scan the QR code to download or search for the Scolmore[®] Group app on the App Store or Google Play Store.



COMPARING INCEPTOR® INTENSE

LED Size and Density

LED density has a direct impact on the total amount of light output; it also affects the light distribution.

The individual LEDs on a strip may create a 'dotted' effect or what is also sometimes called 'spotting.' A higher density LED strip will have a lower chance of 'spotting' as the individual LEDs cannot be seen.

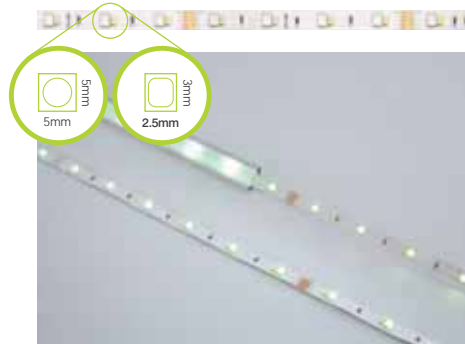
7.2W STANDARD LED STRIP

Our IP20 & IP65 standard 7.2W LED Strips have 60 LEDs per metre. These are available in Warm White (3000K) and Cool White (4000K).



7.2W RGBW LED STRIP

Our IP20 & IP65 RGBW 7.2W LED Strips have 48 LEDs per metre. Up to 16 million colour options, as well as warm and cool white.



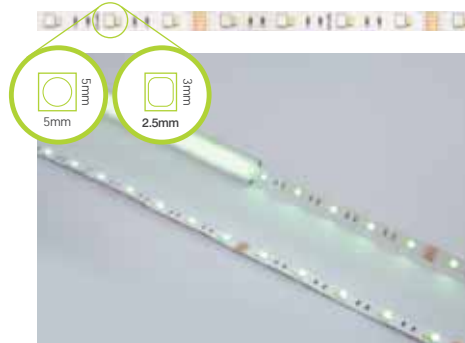
14.4W STANDARD LED STRIP

Our IP20 & IP65 standard 14.4W LED Strips have 120 LEDs per metre. These are available in Warm White (3000K) and Cool White (4000K).



14.4W RGBW LED STRIP

Our IP20 & IP65 RGBW 14.4W LED Strips have 60 LEDs per metre. Up to 16 million colour options, as well as warm and cool white.



Lumen Output

Lumen is the measurement of brightness as perceived by the human eye. There are requirements for a certain amount of brightness in order to achieve the desired aesthetic. Ovia offers a dedicated lighting design service to assist with choosing the right products and solutions to create a scheme that meets all the requirements and objectives of the project in question.

- LUMENS (LM)



+ LUMENS (LM)



EXAMPLE APPLICATIONS	RECOMMENDED WATTAGE / IP RATING
Accent Lighting & Mood Lighting	7.2W RGBW - IP20
Under Cabinet Lighting	7.2W Standard - IP20
Indirect Lighting in a Bedroom / Hotel / Vehicle / Lobby	14.4W Standard - IP20
Outdoor Decking Lighting	7.2W Standard - IP65
Industrial Lighting / Signage / Tube Replacements	14.4W RGBW - IP65

Colour Temperature

CCT (Correlated Colour Temperature) refers to the colour temperature of light, measured in degrees Kelvin (K). The temperature rating directly affects what the white light will look like. Your choice of light colour will depend on the effect that is required for each project. We also offer RGBW LED Strip, this enables you to choose between 16 million colour variations.

3000K



4000K



RGBW



CHOOSING INCEPTOR® INTENSE

1. Pick your LED Strip:

All of our Inceptor® Intense LED Strips come in 0.5, 1m, 2m and 5m length; there is also the option of IP20 and IP65.

7.2W/24V (IP20)



7.2W/24V (IP65)



14.4W/24V (IP20)



14.4W/24V (IP65)



2. Choose a Driver:

Find your recommended Driver using your chosen LED Strip and the recommended maximum lengths:

LINEAR



7.2W - IP20	4M	8M	12M	30M	8M	16M
14.4W - IP20	2M	4M	6M	15M	4M	8M
7.2W - IP65	4M	8M	12M	30M	8M	16M
14.4W - IP65	2M	4M	6M	15M	4M	8M
RECOMMENDED DRIVER	30W OVCG24V30IP20L	60W OVCG24V60IP20L	90W OVCG24V90IP20L	250W OVCG24V250L	75W OCG2475L-T	150W OCG24150L-T

..... DIMMABLE

When used with IP65 LED strip, the IP20 linear LED driver must be located remotely.

COMPACT



7.2W - IP20	4M	8M	12M	15M
14.4W - IP20	2M	4M	6M	8M
7.2W - IP65	4M	8M	12M	15M
14.4W - IP65	2M	4M	6M	8M
RECOMMENDED DRIVER	30W OVCG24V30IP20	60W OVCG24V60IP20	90W OVCG24V90IP20	120W OVCG24V120IP20

When used with IP65 LED strip, the IP20 linear LED driver must be located remotely.

COMPACT - IP67



7.2W - IP20	13M	20M	27M
14.4W - IP20	6M	10M	13M
7.2W - IP65	13M	20M	27M
14.4W - IP65	6M	10M	13M
RECOMMENDED DRIVER	100W OVCG24V100IP67	150W OVCG24V150IP67	200W OVCG24V200IP67

CHOOSING INCEPTOR® INTENSE

3. Choose your Driver Starter Lead:

All of our Driver Leads are available in 0.5m, 1m, 2m and 5m in length; along with IP20 or IP65 options. A 100mm flylead is supplied with each LED strip as standard.

7.2W (2 PIN)



For use with 8mm wide 3000K & 4000K Standard LED Strips

14.4W (2 PIN)



For use with 10mm wide 3000K & 4000K Standard LED Strips

7.2W & 14.4W (5 PIN)



For use with 12mm wide RGBW LED Strips

4. Optional Accessories:

7.2W JOINER LEAD (IP20 & IP65)



100mm Length (2 Pin). For use with 8mm wide LED Strip.

14.4W JOINER LEAD (IP20 & IP65)



100mm Length (2 Pin). For use with 10mm wide LED Strip.

7.2W & 14.4W JOINER LEAD (IP20 & IP65)



100mm Length (5 Pin). For use with 12mm wide LED Strip.

L, X & T CONNECTORS (IP20)

7.2W



(2 Pin)
For 8mm wide LED Strip.

14.4W



(2 Pin)
For 10mm wide LED Strip.

7.2W & 14.4W



(5 Pin)
For 12mm wide LED Strip.

JOINER CONNECTORS (IP20 & IP65)

7.2W



(2 Pin)
For 8mm wide LED Strip.

14.4W



(2 Pin)
For 10mm wide LED Strip.

7.2W & 14.4W



(5 Pin)
For 12mm wide LED Strip.

5. LED Controllers:

Our touch sensitive LED Controllers are required when operating the RGBW LED Strips.

PANEL CONTROLLER

OVRGBWDP



REMOTE CONTROLLER

OVRGBWC



RGBW RECEIVER

The RGBW Receiver is included with the RGBW Remote Controller. Simply connect your chosen LED Strip to the receiver, then connect the receiver to your driver, allowing you full control of your LED Strips.

6. Aluminium Profiles

2M - CORNER PROFILE (IP20)



Available in both Clear & Opal Finishes.

Standard Options Available.



2M - RECESSED PROFILE (IP20 & IP65)



Available in both Clear & Opal Finishes.

Standard & Narrow Options Available.



2M - SURFACE MOUNTED PROFILE (IP20)



Available in both Clear & Opal Finishes.

Standard & Narrow Options Available.



7.2W/M 24V IP20 LED Strip Reels



CODE	DESCRIPTION
OV18705WW20	7.2W/M 8mm LED Strip 0.5M Reel - 3000K
OV18705CW20	7.2W/M 8mm LED Strip 0.5M Reel - 4000K
OV18705RGBWW20	7.2W/M 12mm LED Strip 0.5M Reel - RGB+3000K
OV18705RGBCW20	7.2W/M 12mm LED Strip 0.5M Reel - RGB+4000K
CODE	DESCRIPTION
OV1871WW20	7.2W/M 8mm LED Strip 1M Reel - 3000K
OV1871CW20	7.2W/M 8mm LED Strip 1M Reel - 4000K
OV1871RGBWW20	7.2W/M 12mm LED Strip 1M Reel - RGB+3000K
OV1871RGBCW20	7.2W/M 12mm LED Strip 1M Reel - RGB+4000K
CODE	DESCRIPTION
OV1872WW20	7.2W/M 8mm LED Strip 2M Reel - 3000K
OV1872CW20	7.2W/M 8mm LED Strip 2M Reel - 4000K
OV1872RGBWW20	7.2W/M 12mm LED Strip 2M Reel - RGB+3000K
OV1872RGBCW20	7.2W/M 12mm LED Strip 2M Reel - RGB+4000K
CODE	DESCRIPTION
OV1875WW20	7.2W/M 8mm LED Strip 5M Reel - 3000K
OV1875CW20	7.2W/M 8mm LED Strip 5M Reel - 4000K
OV1875RGBWW20	7.2W/M 12mm LED Strip 5M Reel - RGB+3000K
OV1875RGBCW20	7.2W/M 12mm LED Strip 5M Reel - RGB+4000K

PRODUCT INFO

Circuit Wattage (W)	7.2				LED Lifetime (Hrs)	36000
Beam Angle (°)	120				Voltage (DC)	24
CCT (K)	3000	4000	RGB+3000	RGB+4000	CRI	>80 (White)
Lumens (lm) (1M)	680	750	380 (White)	400 (White)	Operating Temp (°C)	-20 to +45
Efficacy (lm/W)	95	105	53	56	IP Rating	IP20
Cut Lengths (mm)	Every 100	Every 100	Every 250	Every 250		

Supplied with 100mm stripped end flylead

PRODUCT APPROVALS

BS EN 60598-1 BS EN 60598-2-20 BS EN 62031 BS EN 62471 BS EN 62493 BS EN 55015



7.2W IP20 LED Strip Accessories

CODE DESCRIPTION



24V LED STRIP FLEXIBLE DRIVER STARTER LEADS - IP20

OVSSL2805	0.5M Starter Lead - 7.2W/M 2 Pin 8mm IP20
OVSSL281	1M Starter Lead - 7.2W/M 2 Pin 8mm IP20
OVSSL282	2M Starter Lead - 7.2W/M 2 Pin 8mm IP20
OVSSL285	5M Starter Lead - 7.2W/M 2 Pin 8mm IP20
OVSSL51205	0.5M Starter Lead - 7.2W & 14.4W 5 Pin 12mm IP20
OVSSL5121	1M Starter Lead - 7.2W & 14.4W 5 Pin 12mm IP20
OVSSL5122	2M Starter Lead - 7.2W & 14.4W 5 Pin 12mm IP20
OVSSL5125	5M Starter Lead - 7.2W & 14.4W 5 Pin 12mm IP20

24V LED STRIP FLEXIBLE JOINER LEADS - IP20

OVSJL2801	100mm Joiner Lead - 7.2W/M 2 Pin 8mm IP20
OVSJL51201	100mm Joiner Lead - 7.2W & 14.4W 5 Pin 12mm IP20

24V LED STRIP JOINING CONNECTORS - IP20

OVJSC28	7.2W/M 2 Pin 8mm IP20 Joining Connector (5 Pack)
OVJSC512	7.2W & 14.4W 5 Pin 12mm IP20 Joining Connector (5 Pack)

24V LED STRIP MOUNTING SUPPORT CLIPS - IP20

OVSMC28	7.2W/M 2 Pin 8mm IP20 Mounting Clips (5 Pack)
OVSMC512	7.2W & 14.4W 5 Pin 12mm IP20 Mounting Clips (5 Pack)

24V LED STRIP SHAPE CONNECTORS - IP20

OVSLC28	L Shape Connector - 7.2W/M 2 Pin 8mm IP20 (5 Pack)
OVXSC28	X Shape Connector - 7.2W/M 2 Pin 8mm IP20 (5 Pack)
OVSTC28	T Shape Connector - 7.2W/M 2 Pin 8mm IP20 (5 Pack)
OVSLC512	L Shape Connector - 7.2W & 14.4W 5 Pin 12mm IP20 (5 Pack)
OVXSC512	X Shape Connector - 7.2W & 14.4W 5 Pin 12mm IP20 (5 Pack)
OVSTC512	T Shape Connector - 7.2W & 14.4W 5 Pin 12mm IP20 (5 Pack)

PRODUCT APPROVALS

BS EN 60598-1

2 pin suitable for CW and WW, 5 pin for RGBW



DOMESTIC

DOMESTIC

14.4W/M 24V IP20 LED Strip Reels



CODE	DESCRIPTION
OV181405WW20	14.4W/M 10mm LED Strip 0.5M Reel - 3000K
OV181405CW20	14.4W/M 10mm LED Strip 0.5M Reel - 4000K
OV181405RGBWW20	14.4W/M 12mm LED Strip 0.5M Reel - RGB+3000K
OV181405RGBCW20	14.4W/M 12mm LED Strip 0.5M Reel - RGB+4000K

CODE	DESCRIPTION
OV18141WW20	14.4W/M 10mm LED Strip 1M Reel - 3000K
OV18141CW20	14.4W/M 10mm LED Strip 1M Reel - 4000K
OV18141RGBWW20	14.4W/M 12mm LED Strip 1M Reel - RGB+3000K
OV18141RGBCW20	14.4W/M 12mm LED Strip 1M Reel - RGB+4000K

CODE	DESCRIPTION
OV18142WW20	14.4W/M 10mm LED Strip 2M Reel - 3000K
OV18142CW20	14.4W/M 10mm LED Strip 2M Reel - 4000K
OV18142RGBWW20	14.4W/M 12mm LED Strip 2M Reel - RGB+3000K
OV18142RGBCW20	14.4W/M 12mm LED Strip 2M Reel - RGB+4000K

CODE	DESCRIPTION
OV18145WW20	14.4W/M 10mm LED Strip 5M Reel - 3000K
OV18145CW20	14.4W/M 10mm LED Strip 5M Reel - 4000K
OV18145RGBWW20	14.4W/M 12mm LED Strip 5M Reel - RGB+3000K
OV18145RGBCW20	14.4W/M 12mm LED Strip 5M Reel - RGB+4000K

PRODUCT INFO

Circuit Wattage (W)	14.4				LED Lifetime (Hrs)	36000
Beam Angle (°)	120				Voltage (DC)	24
CCT (K)	3000	4000	RGB+3000	RGB+4000	CRI	>80 (White)
Lumens (lm) (1M)	1340	1400	685 (White)	720 (White)	Operating Temp (°C)	-20 to +45
Efficacy (lm/W)	93	97	47	50	IP Rating	IP20
Cut Lengths (mm)	Every 50	Every 50	Every 166.7	Every 166.7		

Supplied with 100mm stripped end flylead

PRODUCT APPROVALS

BS EN 60598-1 BS EN 60598-2-20 BS EN 62031 BS EN 62471 BS EN 62493 BS EN 55015



14.4W IP20 LED Strip Accessories

CODE	DESCRIPTION
------	-------------



24V LED STRIP FLEXIBLE DRIVER STARTER LEADS - IP20

OVSSL21005	0.5M Starter Lead - 14.4W/M 2 Pin 10mm IP20
OVSSL2101	1M Starter Lead - 14.4W/M 2 Pin 10mm IP20
OVSSL2102	2M Starter Lead - 14.4W/M 2 Pin 10mm IP20
OVSSL2105	5M Starter Lead - 14.4W/M 2 Pin 10mm IP20
OVSSL51205	0.5M Starter Lead - 7.2W & 14.4W 5 Pin 12mm IP20
OVSSL5121	1M Starter Lead - 7.2W & 14.4W 5 Pin 12mm IP20
OVSSL5122	2M Starter Lead - 7.2W & 14.4W 5 Pin 12mm IP20
OVSSL5125	5M Starter Lead - 7.2W & 14.4W 5 Pin 12mm IP20

24V LED STRIP FLEXIBLE JOINER LEADS - IP20

OVSJL21001	100mm Joiner Lead - 14.4W/M 2 Pin 10mm IP20
OVSJL51201	100mm Joiner Lead - 7.2W & 14.4W 5 Pin 12mm IP20

24V LED STRIP JOINING CONNECTORS - IP20

OVSJC210	14.4W/M 2 Pin 10mm IP20 Joining Connector (5 Pack)
OVSJC512	7.2W & 14.4W 5 Pin 12mm IP20 Joining Connector (5 Pack)

24V LED STRIP MOUNTING SUPPORT CLIPS - IP20

OVSJC210	14.4W/M 2 Pin 10mm IP20 Mounting Clips (5 Pack)
OVSJC512	7.2W & 14.4W 5 Pin 12mm IP20 Mounting Clips (5 Pack)

24V LED STRIP SHAPE CONNECTORS - IP20

OVSLC210	L Shape Connector - 14.4W/M 2 Pin 10mm IP20 (5 Pack)
OVSXC210	X Shape Connector - 14.4W/M 2 Pin 10mm IP20 (5 Pack)
OVSTC210	T Shape Connector - 14.4W/M 2 Pin 10mm IP20 (5 Pack)
OVSLC512	L Shape Connector - 7.2W & 14.4W 5 Pin 12mm IP20 (5 Pack)
OVSXC512	X Shape Connector - 7.2W & 14.4W 5 Pin 12mm IP20 (5 Pack)
OVSTC512	T Shape Connector - 7.2W & 14.4W 5 Pin 12mm IP20 (5 Pack)

PRODUCT APPROVALS

BS EN 60598-1

2 pin suitable for CW and WW, 5 pin for RGBW



7.2W/M 24V IP65 LED Strip Reels



CODE	DESCRIPTION
OV18705WW65	7.2W/M 8mm LED Strip 0.5M Reel - 3000K
OV18705CW65	7.2W/M 8mm LED Strip 0.5M Reel - 4000K
OV18705RGBWW65	7.2W/M 12mm LED Strip 0.5M Reel - RGB+3000K
OV18705RGBCW65	7.2W/M 12mm LED Strip 0.5M Reel - RGB+4000K
CODE	DESCRIPTION
OV1871WW65	7.2W/M 8mm LED Strip 1M Reel - 3000K
OV1871CW65	7.2W/M 8mm LED Strip 1M Reel - 4000K
OV1871RGBWW65	7.2W/M 12mm LED Strip 1M Reel - RGB+3000K
OV1871RGBCW65	7.2W/M 12mm LED Strip 1M Reel - RGB+4000K
CODE	DESCRIPTION
OV1872WW65	7.2W/M 8mm LED Strip 2M Reel - 3000K
OV1872CW65	7.2W/M 8mm LED Strip 2M Reel - 4000K
OV1872RGBWW65	7.2W/M 12mm LED Strip 2M Reel - RGB+3000K
OV1872RGBCW65	7.2W/M 12mm LED Strip 2M Reel - RGB+4000K
CODE	DESCRIPTION
OV1875WW65	7.2W/M 8mm LED Strip 5M Reel - 3000K
OV1875CW65	7.2W/M 8mm LED Strip 5M Reel - 4000K
OV1875RGBWW65	7.2W/M 12mm LED Strip 5M Reel - RGB+3000K
OV1875RGBCW65	7.2W/M 12mm LED Strip 5M Reel - RGB+4000K

PRODUCT INFO

Circuit Wattage (W)	7.2				LED Lifetime (Hrs)	36000
Beam Angle (°)	120				Voltage (DC)	24
CCT (K)	3000	4000	RGB+3000	RGB+4000	CRI	>80 (White)
Lumens (lm) (1M)	650	720	375 (White)	395 (White)	Operating Temp (°C)	-20 to +45
Efficacy (lm/W)	90	100	52	55	IP Rating	IP65
Cut Lengths (mm)	Every 100	Every 100	Every 250	Every 250		

Supplied with 100mm stripped end flylead

PRODUCT APPROVALS

BS EN 60598-1 BS EN 60598-2-20 BS EN 62031 BS EN 62471 BS EN 62493 BS EN 55015



7.2W IP65 LED Strip Accessories

CODE	DESCRIPTION
------	-------------



24V LED STRIP FLEXIBLE DRIVER STARTER LEADS - IP65

OVSSL280565	0.5M Starter Lead - 7.2W/M 2 Pin 8mm IP65
OVSSL28165	1M Starter Lead - 7.2W/M 2 Pin 8mm IP65
OVSSL28265	2M Starter Lead - 7.2W/M 2 Pin 8mm IP65
OVSSL28565	5M Starter Lead - 7.2W/M 2 Pin 8mm IP65
OVSSL5120565	0.5M Starter Lead - 7.2W & 14.4W 5 Pin 12mm IP65
OVSSL512165	1M Starter Lead - 7.2W & 14.4W 5 Pin 12mm IP65
OVSSL512265	2M Starter Lead - 7.2W & 14.4W 5 Pin 12mm IP65
OVSSL512565	5M Starter Lead - 7.2W & 14.4W 5 Pin 12mm IP65

Supplied with heatshrink

24V LED STRIP FLEXIBLE JOINER LEADS - IP65

OVSLJL280165	100mm Joiner Lead - 7.2W/M 2 Pin 8mm IP65
OVSLJL5120165	100mm Joiner Lead - 7.2W & 14.4W 5 Pin 12mm IP65

Supplied with heatshrink

24V LED STRIP JOINING CONNECTORS - IP65

OVSLJC2865	7.2W/M 2 Pin 8mm IP65 Joining Connector (5 Pack)
OVSLJC51265	7.2W & 14.4W 5 Pin 12mm IP65 Joining Connector (5 Pack)

24V LED STRIP MOUNTING SUPPORT CLIPS - IP65

OVSMC2865	7.2W/M 2 Pin 8mm IP65 Mounting Clips (5 Pack)
OVSMC51265	7.2W & 14.4W 5 Pin 12mm IP65 Mounting Clips (5 Pack)

24V LED STRIP SEALED END CAPS - IP65

OVSEC2865	7.2W/M 2 Pin 8mm IP65 End Caps (5 Pack)
OVSEC51265	7.2W & 14.4W 5 Pin 12mm IP65 End Caps (5 Pack)

HEAT SHRINK SLEEVING FOR IP65 LED STRIP

OVSHSC200	12mmØ x 200mm Clear (White LED strips)
OVSHSC201	16mmØ x 200mm Clear (RGBW LED strips)

SILICONE SEALANT GEL

OVSSGC	Transparent Silicone Sealant Gel (10g)
--------	--

PRODUCT APPROVALS

BS EN 60598-1



14.4W/M 24V IP65 LED Strip Reels



CODE	DESCRIPTION
OV181405WW65	14.4W/M 10mm LED Strip 0.5M Reel - 3000K
OV181405CW65	14.4W/M 10mm LED Strip 0.5M Reel - 4000K
OV181405RGBWW65	14.4W/M 12mm LED Strip 0.5M Reel - RGB+3000K
OV181405RGBCW65	14.4W/M 12mm LED Strip 0.5M Reel - RGB+4000K
CODE	DESCRIPTION
OV18141WW65	14.4W/M 10mm LED Strip 1M Reel - 3000K
OV18141CW65	14.4W/M 10mm LED Strip 1M Reel - 4000K
OV18141RGBWW65	14.4W/M 12mm LED Strip 1M Reel - RGB+3000K
OV18141RGBCW65	14.4W/M 12mm LED Strip 1M Reel - RGB+4000K
CODE	DESCRIPTION
OV18142WW65	14.4W/M 10mm LED Strip 2M Reel - 3000K
OV18142CW65	14.4W/M 10mm LED Strip 2M Reel - 4000K
OV18142RGBWW65	14.4W/M 12mm LED Strip 2M Reel - RGB+3000K
OV18142RGBCW65	14.4W/M 12mm LED Strip 2M Reel - RGB+4000K
CODE	DESCRIPTION
OV18145WW65	14.4W/M 10mm LED Strip 5M Reel - 3000K
OV18145CW65	14.4W/M 10mm LED Strip 5M Reel - 4000K
OV18145RGBWW65	14.4W/M 12mm LED Strip 5M Reel - RGB+3000K
OV18145RGBCW65	14.4W/M 12mm LED Strip 5M Reel - RGB+4000K

PRODUCT INFO

Circuit Wattage (W)	14.4				LED Lifetime (Hrs)	36000
Beam Angle (°)	120				Voltage (DC)	24
CCT (K)	3000	4000	RGB+3000	RGB+4000	CRI	>80 (White)
Lumens (lm) (1M)	1250	1310	655 (White)	690 (White)	Operating Temp (°C)	-20 to +45
Efficacy (lm/W)	87	91	45	48	IP Rating	IP65
Cut Lengths (mm)	Every 50	Every 50	Every 166.7	Every 166.7		

Supplied with 100mm stripped end flylead

PRODUCT APPROVALS

BS EN 60598-1 BS EN 60598-2-20 BS EN 62031 BS EN 62471 BS EN 62493 BS EN 55015



14.4W IP65 LED Strip Accessories

CODE	DESCRIPTION
------	-------------



24V LED STRIP FLEXIBLE DRIVER STARTER LEADS - IP65

OVSSL2100565	0.5M Starter Lead - 14.4W/M 2 Pin 10mm IP65
OVSSL210165	1M Starter Lead - 14.4W/M 2 Pin 10mm IP65
OVSSL210265	2M Starter Lead - 14.4W/M 2 Pin 10mm IP65
OVSSL210565	5M Starter Lead - 14.4W/M 2 Pin 10mm IP65
OVSSL5120565	0.5M Starter Lead - 7.2W & 14.4W 5 Pin 12mm IP65
OVSSL512165	1M Starter Lead - 7.2W & 14.4W 5 Pin 12mm IP65
OVSSL512265	2M Starter Lead - 7.2W & 14.4W 5 Pin 12mm IP65
OVSSL512565	5M Starter Lead - 7.2W & 14.4W 5 Pin 12mm IP65

Supplied with heatshrink

24V LED STRIP FLEXIBLE JOINER LEADS - IP65

OVSJL2100165	100mm Joiner Lead - 14.4W/M 2 Pin 10mm IP65
OVSJL5120165	100mm Joiner Lead - 7.2W & 14.4W 5 Pin 12mm IP65

Supplied with heatshrink

24V LED STRIP JOINING CONNECTORS - IP65

OVJJC21065	14.4W/M 2 Pin 10mm IP65 Joining Connector (5 Pack)
OVJJC51265	7.2W & 14.4W 5 Pin 12mm IP65 Joining Connector (5 Pack)

24V LED STRIP MOUNTING SUPPORT CLIPS - IP65

OVSMC21065	14.4W/M 2 Pin 10mm IP65 Mounting Clips (5 Pack)
OVSMC51265	7.2W & 14.4W 5 Pin 12mm IP65 Mounting Clips (5 Pack)

24V LED STRIP SEALED END CAPS - IP65

OVSEC21065	14.4W/M 2 Pin 10mm IP65 End Caps (5 Pack)
OVSEC51265	7.2W & 14.4W 5 Pin 12mm IP65 End Caps (5 Pack)

HEAT SHRINK SLEEVING FOR IP65 LED STRIP

OVSHSC200	12mmØ x 200mm Clear (White LED strips)
OVSHSC201	16mmØ x 200mm Clear (RGBW LED strips)

SILICONE SEALANT GEL

OVSSGC	Transparent Silicone Sealant Gel (10g)
---------------	--

PRODUCT APPROVALS

BS EN 60598-1



LED Strip Controllers



CODE	DESCRIPTION
OVRGBWC	Handheld RGBW Remote Controller

- Colour change and dim control
- Cycle preset colours automatically
- 15 preprogrammed modes
- Wireless range of 50 metres (open air)
- One remote can control endless receivers (within range)



PRODUCT INFO

Total Output	10A (6A per channel)
Voltage (V DC)	12-24
Operating Temp (°C)	-20 to +60

Supplied with RGBW Receiver



CODE	DESCRIPTION
OVRGBWDP	Touch Screen RGBW Panel Controller

- Colour change and dim control
- Cycle preset colours automatically
- 5 preprogrammed static modes
- 8 preprogrammed dynamic modes

PRODUCT INFO

Total Output	10A (5A per channel)
Voltage (AC)	12 - 24
Operating Temp (°C)	-20 to +60



CODE	DESCRIPTION
OVCGAMPF	12-24V 4 Channel Performance Amplifier

- Suitable for both white and RGBW LED strips
- Extends the control of additional LED strips added
- Additional LED driver will be required at each amplifier when extending the LED strip run.

PRODUCT INFO

Total Output	15A (6A per channel)
Voltage (AC)	12 - 24
Operating Temp (°C)	-20 to +60

Suitable for single colour and RGBW LED strip



Aluminium Profiles

AVAILABLE FINISHES



CODE	DESCRIPTION
------	-------------

- OVSCE001** 2M Corner Surface Mounted – IP20 – Clear Diffuser
- OVSCE002** 2M Corner Surface Mounted – IP20 – Opal Diffuser

Suitable for IP20 8mm (7.2W/M), 10mm (14.4W/M), 12mm (RGBW) LED Tapes
2 x End Caps, 4 x Mounting Clips, 4 x Mounting Fixing Screws Supplied



CODE	DESCRIPTION
------	-------------

- OVSRE001** 2M Recessed – IP20 – Clear Diffuser
- OVSRE002** 2M Recessed – IP20 – Opal Diffuser
- OVSRE003** 2M Narrow Recessed – IP20 – Clear Diffuser
- OVSRE004** 2M Narrow Recessed – IP20 – Opal Diffuser

Suitable for IP20 8mm (7.2W/M), 10mm (14.4W/M), 12mm (RGBW) LED Tapes
2 x End Caps, 4 x Mounting Clips, 4 x Mounting Fixing Screws Supplied



- OVSRE005** 2M Recessed Mounted For IP65 LED Strip – Clear Diffuser
- OVSRE006** 2M Recessed Mounted For IP65 LED Strip – Opal Diffuser

Suitable for IP65 8mm (7.2W/M) LED Tape
2 x End Caps, 4 x Mounting Clips, 4 x Mounting Fixing Screws Supplied



CODE	DESCRIPTION
------	-------------

- OVSSE001** 2M Surface Mounted – IP20 – Clear Diffuser
- OVSSE002** 2M Surface Mounted – IP20 – Opal Diffuser
- OVSSE003** 2M Narrow Surface Mounted – IP20 – Clear Diffuser
- OVSSE004** 2M Narrow Surface Mounted – IP20 – Opal Diffuser

Suitable for IP20 8mm (7.2W/M), 10mm (14.4W/M), 12mm (RGBW) LED Tapes
2 x End Caps, 4 x Mounting Clips, 4 x Mounting Fixing Screws Supplied



Constant Voltage (AC) LED Drivers



15M LENGTH
on 250W version
when using 14.4W/M
LED Strip

IP20

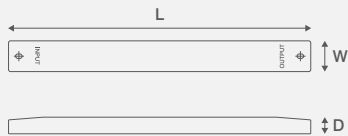
CONSTANT VOLTAGE LED DRIVERS - IP20, NON DIMMABLE

CODE	DESCRIPTION
OVCG24V30IP20L	30W 24V Constant Voltage LED Driver – Linear
OVCG24V60IP20L	60W 24V Constant Voltage LED Driver – Linear
OVCG24V90IP20L	90W 24V Constant Voltage LED Driver – Linear
OVCG24V250L	250W 24V Constant Voltage LED Driver – Linear

CONSTANT VOLTAGE DIMMABLE LED DRIVERS - IP20

IP20

CODE	DESCRIPTION
OCG2475L-T	75W 24V Triac Dimmable LED Driver – Linear
OCG24150L-T	150W 24V Triac Dimmable LED Driver – Linear



LINEAR - DIMENSIONS (L / W / D))
 30W & 60W = 300mm x 30mm x 16mm
 90W = 350mm x 30mm x 18mm
 250W = 400mm x 40mm x 22.5mm
 75W = 300mm x 42mm x 30mm
 150W = 361mm x 42mm x 30mm

PRODUCT INFO

Finish	White
Voltage (AC)	220-240
Frequency (Hz)	50/60
Operating Temp (°C)	-25 to +45

Screw Terminals & Covers

PRODUCT APPROVALS

BS EN 61347-1 BS EN 61347-2-13 BS EN 55015 BS EN 61547 BS EN 61000-3-2 BS EN 61000-3-3 BS EN 62493



Constant Voltage LED Drivers - IP20, Non Dimmable



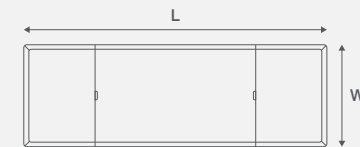
IP20

PRODUCT INFO

Finish	White
Voltage (AC)	220-240
Frequency (Hz)	50/60
Operating Temp (°C)	-25 to +45

CODE DESCRIPTION

OVCG24V30IP20	30W 24V Constant Voltage LED Driver – Compact
OVCG24V60IP20	60W 24V Constant Voltage LED Driver – Compact
OVCG24V90IP20	90W 24V Constant Voltage LED Driver – Compact
OVCG24V120IP20	120W 24V Constant Voltage LED Driver – Compact



COMPACT - DIMENSIONS (L / W / D))
 30W & 60W = 170mm x 57mm x 18mm
 90W & 120W = 190mm x 65mm x 22mm

PRODUCT APPROVALS

BS EN 61347-1 BS EN 61347-2-13 BS EN 55015 BS EN 61547 BS EN 61000-3-2 BS EN 61000-3-3 BS EN 62493



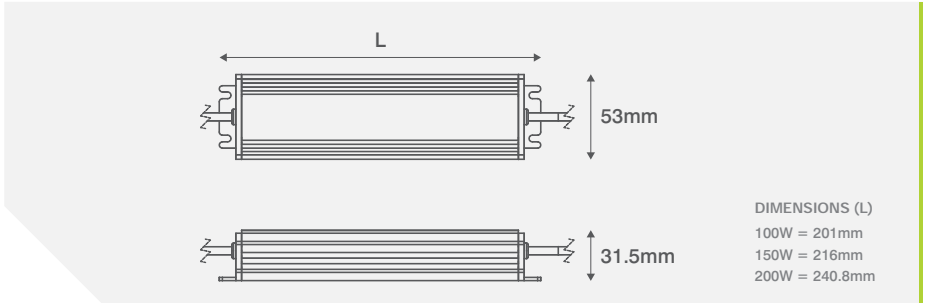
Constant Voltage LED Drivers - IP67, Non Dimmable

DOMESTIC

IP67



CODE	DESCRIPTION	PRODUCT INFO
OVCG24V100IP67	100W 24V Constant Voltage LED Driver – IP67 - Compact	Finish Aluminium
OVCG24V150IP67	150W 24V Constant Voltage LED Driver – IP67 - Compact	Voltage (AC) 100-277
OVCG24V200IP67	200W 24V Constant Voltage LED Driver – IP67 - Compact	Frequency (Hz) 50/60
		Operating Temp (°C) -25 to +50



Pre-wired Input & Output Cables

PRODUCT APPROVALS

BS EN 61347-1 BS EN 61347-2-13 BS EN 55015 BS EN 61547 BS EN 61000-3-2 BS EN 61000-3-3 BS EN 62493





AMENITY LIGHTING

AMENITY LIGHTING

Safety and security were the main consideration for the creation of the Amenity range of lighting products with an emphasis on the aesthetics of the product portfolio. The range covers many applications, ranging from LED star lights through to external bollards and wall lights.

Contents

Wall Light	109
Ground	121
Internal	129



AMENITY

Wall Lights

A selection of our new wall lights are available in standard and PIR versions for automatic activation.

Ground Lights

A large selection of bollards to suit any application and the addition of a new spike light, ideal for adding ambience to your outdoor space.



11W IP65 Up & Down LED Wall Fittings

AVAILABLE FINISHES



COLOUR TEMPERATURE



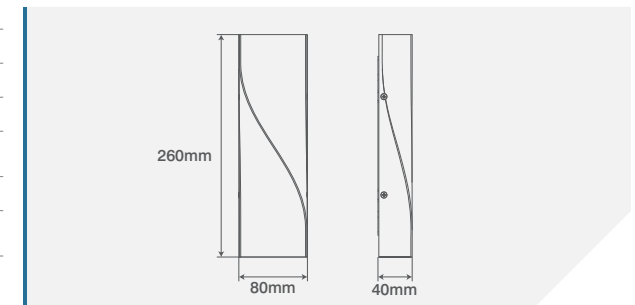
PRODUCT INFO

CCT (K)	3000	4000
Lumens (Lm)	2 x 350lm	
Efficacy (Lm/W)	63	
Wattage (W)	2 x 5.5 (11)	
CRI	>80	
Beam Angle (°)	60 (Top & Bottom)	
LED Lifetime (Hrs)	50000	
Voltage (AC)	220-240	
Frequency (Hz)	50/60	
Dimmable	No	
Operating Temp (°C)	-20 to +50	

CODE

DESCRIPTION

OV2002W11GY	11W Up & Down LED Wall Fitting - IP65 - 3000K - Grey
OV2002C11GY	11W Up & Down LED Wall Fitting - IP65 - 4000K - Grey



PRODUCT APPROVALS

BS EN 60598-1; BS EN IEC 60598-2-1; BS EN 62471; BS EN 61058-1; BS EN 61347-1; BS EN 61347-2-7; BS EN 62493; BS EN 55015; BS EN 61547; BS EN 61000-3-2 & BS EN 61000-3-3



6W IP54 Cylindrical Up or Down LED Wall Fittings



AVAILABLE FINISHES

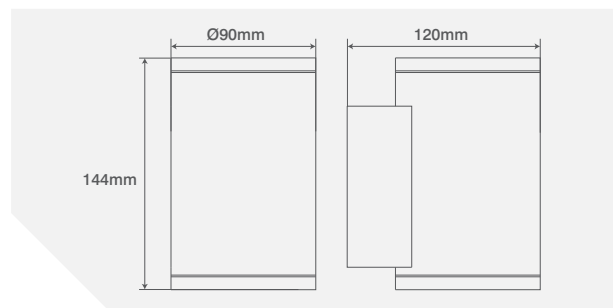


COLOUR TEMPERATURE



CODE	DESCRIPTION
OV2028W6BK	6W Up or Down LED Wall Fitting - IP54 - 3000K - Black
OV2028C6BK	6W Up or Down LED Wall Fitting - IP54 - 4000K - Black
OV2028W6GY	6W Up or Down LED Wall Fitting - IP54 - 4000K - Grey
OV2028C6GY	6W Up or Down LED Wall Fitting - IP54 - 3000K - Grey

PRODUCT INFO	
CCT (K)	3000 4000
Lumens (Lm)	515
Efficacy (Lm/W)	86
Wattage (W)	6
CRI	>80
Beam Angle (°)	60
LED Lifetime (Hrs)	50000
Voltage (AC)	220-240
Frequency (Hz)	50/60
Dimmable	No
Operating Temp (°C)	-20 to +40



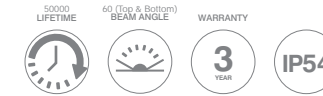
PRODUCT APPROVALS

BS EN 60598-1; BS EN 60598-2-2; BS EN 55015; BS EN 62471; BS EN 62493; BS EN 61000-3-2; BS EN 61000-3-3; BS EN 61547



12W IP54 Cylindrical Up & Down LED Wall Fittings

AVAILABLE FINISHES

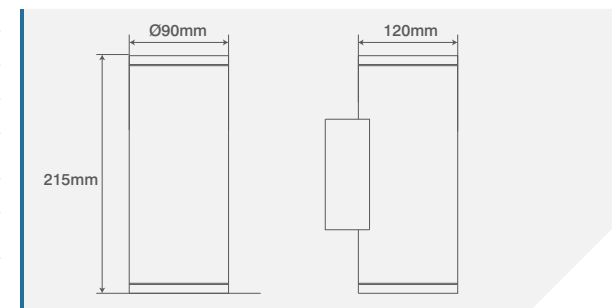


COLOUR TEMPERATURE



PRODUCT INFO	
CCT (K)	4000 3000
Lumens (Lm)	2 x 436 (872)
Efficacy (Lm/W)	73
Wattage (W)	2 x 6 (12)
CRI	>80
Beam Angle (°)	60 (Top & Bottom)
LED Lifetime (Hrs)	50000
Voltage (AC)	220-240
Frequency (Hz)	50/60
Dimmable	No
Operating Temp (°C)	-20 to +40

CODE	DESCRIPTION
OV2022W6BK	12W Up & Down LED Wall Fitting - IP54 - 4000K - Black
OV2022C6BK	12W Up & Down LED Wall Fitting - IP54 - 3000K - Black
OV2022W6GY	12W Up & Down LED Wall Fitting - IP54 - 4000K - Grey
OV2022C6GY	12W Up & Down LED Wall Fitting - IP54 - 3000K - Grey



PRODUCT APPROVALS

BS EN 60598-1; BS EN 60598-2-2; BS EN 55015; BS EN 62471; BS EN 62493; BS EN 61000-3-2; BS EN 61000-3-3; BS EN 61547



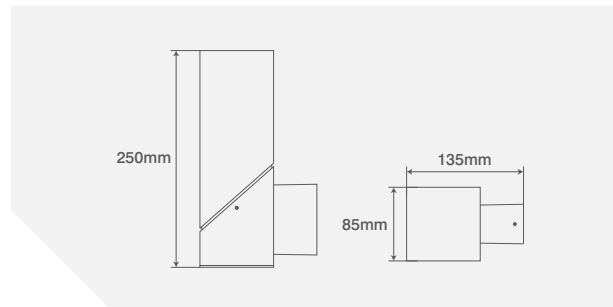
IP54 Boxed Wall Fittings - 15W Max. E27

WARRANTY **3** YEAR
 LAMP TYPE **E27** NOT SUPPLIED
IP54

AVAILABLE FINISHES



CODE	DESCRIPTION	PRODUCT INFO								
OV205127GY	E27 Boxed Wall Fitting - Grey	<table border="1"> <tr> <td>Wattage (W)</td> <td>15</td> </tr> <tr> <td>Voltage (AC)</td> <td>220-240</td> </tr> <tr> <td>Lampholder Type</td> <td>E27 / ES</td> </tr> <tr> <td>Lamp Quantity</td> <td>1</td> </tr> </table>	Wattage (W)	15	Voltage (AC)	220-240	Lampholder Type	E27 / ES	Lamp Quantity	1
Wattage (W)	15									
Voltage (AC)	220-240									
Lampholder Type	E27 / ES									
Lamp Quantity	1									



With clear lens

PRODUCT APPROVALS

BS EN 60598-1; BS EN IEC 60598-2-1; BS EN 62471; BS EN 61058-1; BS EN 61347-1; BS EN 61347-2-7; BS EN 62493; BS EN 55015; BS EN 61547; BS EN 61000-3-2 & BS EN 61000-3-3



IP44 Boxed Wall Fittings With PIR - 15W Max. E27

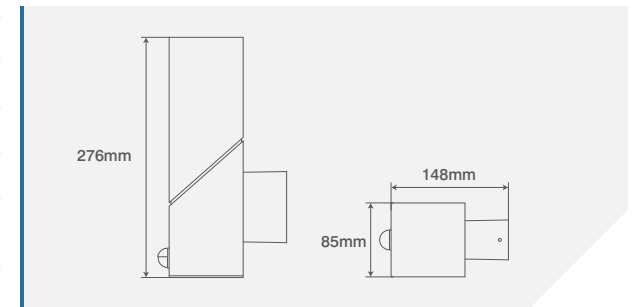
AVAILABLE FINISHES



LAMP TYPE **E27** NOT SUPPLIED
 PIR **((•))**
 WARRANTY **3** YEAR
IP44



PRODUCT INFO	CODE	DESCRIPTION																				
<table border="1"> <tr> <td>Wattage (W)</td> <td>15</td> </tr> <tr> <td>Voltage (AC)</td> <td>220-240</td> </tr> <tr> <td>Dimmable</td> <td>No</td> </tr> <tr> <td>Lampholder Type</td> <td>E27 / ES</td> </tr> <tr> <td>Lamp Quantity</td> <td>1</td> </tr> <tr> <td>Installation Height (M)</td> <td>1.5 - 2</td> </tr> <tr> <td>Detection Angle (°)</td> <td>110</td> </tr> <tr> <td>Detection Distance (M)</td> <td>10</td> </tr> <tr> <td>Time Delay</td> <td>10 Secs to 5 Mins</td> </tr> <tr> <td>Lux Level</td> <td>2 to 2000</td> </tr> </table>	Wattage (W)	15	Voltage (AC)	220-240	Dimmable	No	Lampholder Type	E27 / ES	Lamp Quantity	1	Installation Height (M)	1.5 - 2	Detection Angle (°)	110	Detection Distance (M)	10	Time Delay	10 Secs to 5 Mins	Lux Level	2 to 2000	OV205127GYPIR	E27 Boxed Wall Fitting With PIR - Grey
Wattage (W)	15																					
Voltage (AC)	220-240																					
Dimmable	No																					
Lampholder Type	E27 / ES																					
Lamp Quantity	1																					
Installation Height (M)	1.5 - 2																					
Detection Angle (°)	110																					
Detection Distance (M)	10																					
Time Delay	10 Secs to 5 Mins																					
Lux Level	2 to 2000																					



With clear lens | PIR offers override facility

PRODUCT APPROVALS

BS EN 60598-1; BS EN IEC 60598-2-1; BS EN 62471; BS EN 61058-1; BS EN 61347-1; BS EN 61347-2-7; BS EN 62493; BS EN 55015; BS EN 61547; BS EN 61000-3-2 & BS EN 61000-3-3



7W IP54 Boxed LED Wall Fittings



AVAILABLE FINISHES

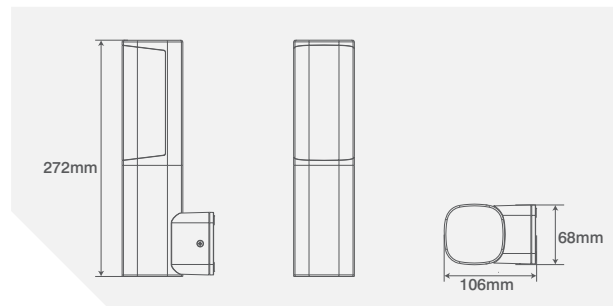


COLOUR TEMPERATURE



CODE	DESCRIPTION
OV2053W7GY	7W Boxed LED Wall Fitting With Opal Lens - IP54 - 3000K - Grey
OV2053C7GY	7W Boxed LED Wall Fitting With Opal Lens - IP54 - 4000K - Grey

PRODUCT INFO		
CCT (K)	3000	4000
Lumens (Lm)	360	
Efficacy (Lm/W)	51	
Wattage (W)	7	
CRI	>80	
Beam Angle (°)	150	
LED Lifetime (Hrs)	50000	
Voltage (AC)	220-240	
Frequency (Hz)	50/60	
Dimmable	No	
Operating Temp (°C)	-20 to +50	



With opal lens

PRODUCT APPROVALS

BS EN 60598-1; BS EN IEC 60598-2-1; BS EN 62471; BS EN 61058-1; BS EN 61347-1; BS EN 62493; BS EN 55015; BS EN 61547; BS EN 61000-3-2; BS EN 61000-3-3



7W IP44 Boxed LED Wall Fittings With PIR

AVAILABLE FINISHES

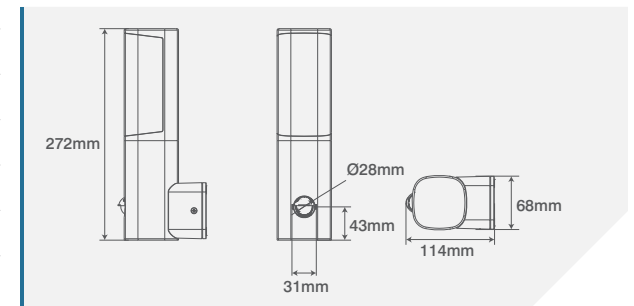


COLOUR TEMPERATURE



PRODUCT INFO		
CCT (K)	3000	4000
Lumens (Lm)	370	
Efficacy (Lm/W)	53	
Wattage (W)	7	
CRI	>80	
Beam Angle (°)	150	
LED Lifetime (Hrs)	50000	
Voltage (AC)	220-240	
Frequency (Hz)	50/60	
Dimmable	No	
Operating Temp (°C)	-20 to +50	
Installation Height (M)	1.5 - 2	
Detection Angle (°)	110	
Detection Distance (M)	10	
Time Delay	10 Secs to 5 Mins	
Lux Level	2 to 2000	

CODE	DESCRIPTION
OV2053W7GYPIR	7W Boxed LED Wall Fitting With Opal Lens & PIR - IP44 - 3000K - Grey
OV2053C7GYPIR	7W Boxed LED Wall Fitting With Opal Lens & PIR - IP44 - 4000K - Grey



With opal lens |

PRODUCT APPROVALS

BS EN 60598-1; BS EN IEC 60598-2-1; BS EN 62471; BS EN 61058-1; BS EN 61347-1; BS EN 62493; BS EN 55015; BS EN 61547; BS EN 61000-3-2; BS EN 61000-3-3



IP54 Circular Wall Lantern - E27 15W Max.

WARRANTY **3** YEAR

LAMP TYPE **E27** NOT SUPPLIED

IP54

AVAILABLE FINISHES

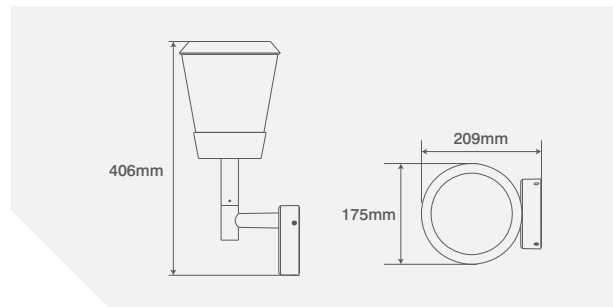


CODE	DESCRIPTION
------	-------------

OV209127GY	E27 Circular Wall Lantern - Grey
------------	----------------------------------

PRODUCT INFO	
--------------	--

Wattage (W)	15
Voltage (AC)	220-240
Lampholder Type	E27 / ES
Lamp Quantity	1



With clear lens

PRODUCT APPROVALS

BS EN 60598-1; BS EN IEC 60598-2-1; BS EN 62471; BS EN 61058-1; BS EN 61347-1; BS EN 61347-2-7; BS EN 62493; BS EN 55015; BS EN 61547; BS EN 61000-3-2 & BS EN 61000-3-3



IP44 Circular Wall Lantern With PIR - E27 15W Max.

AVAILABLE FINISHES



LAMP TYPE **E27** NOT SUPPLIED

PIR **((•))**

WARRANTY **3** YEAR

IP44

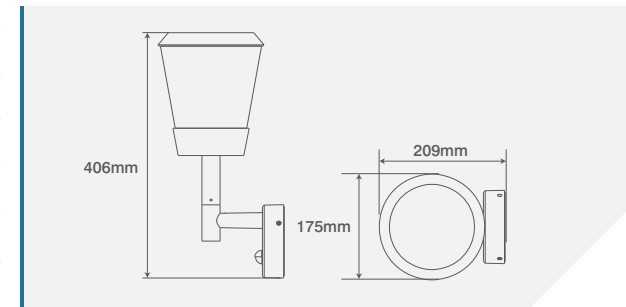


PRODUCT INFO	
--------------	--

Wattage (W)	15
Voltage (AC)	220-240
Dimmable	No
Lampholder Type	E27 / ES
Lamp Quantity	1
Installation Height (M)	1.5 - 2
Detection Angle (°)	110
Detection Distance (M)	10
Time Delay	10 Secs to 5 Mins
Lux Level	2 to 2000

CODE	DESCRIPTION
------	-------------

OV209127GYPIR	E27 Circular Wall Lantern With PIR - Grey
---------------	---



With clear lens

PRODUCT APPROVALS

BS EN 60598-1; BS EN IEC 60598-2-1; BS EN 62471; BS EN 61058-1; BS EN 61347-1; BS EN 61347-2-7; BS EN 62493; BS EN 55015; BS EN 61547; BS EN 61000-3-2 & BS EN 61000-3-3



7W IP54 Square Up & Down LED Wall Fittings



AVAILABLE FINISHES

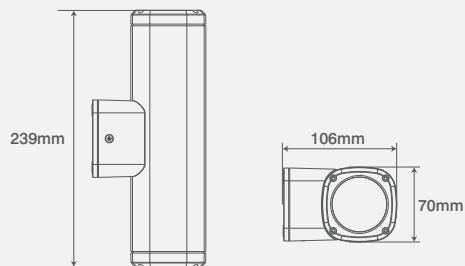


COLOUR TEMPERATURE



CODE	DESCRIPTION
OV2012W7GY	7W Square Up & Down LED Wall Fitting - IP54 - 3000K - Grey
OV2012C7GY	7W Square Up & Down LED Wall Fitting - IP54 - 4000K - Grey

PRODUCT INFO	
CCT (K)	3000 4000
Lumens (Lm)	2 x 300lm
Efficacy (Lm/W)	85
Wattage (W)	2 x 3.5 (7)
CRI	>80
Beam Angle (°)	30 (Top & Bottom)
LED Lifetime (Hrs)	50000
Voltage (AC)	220-240
Frequency (Hz)	50/60
Dimmable	No
Operating Temp (°C)	-20 to +50



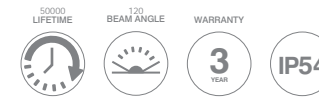
PRODUCT APPROVALS

BS EN 60598-1; BS EN 60598-2-2; BS EN 55015; BS EN 62471; BS EN 62493; BS EN 61000-3-2; BS EN 61000-3-3; BS EN 61547



10W IP54 Rectangular LED Backlit Wall Fittings

AVAILABLE FINISHES

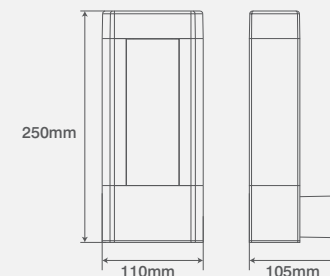


COLOUR TEMPERATURE



PRODUCT INFO	
CCT (K)	3000 4000
Lumens (Lm)	620
Efficacy (Lm/W)	62
Wattage (W)	10
CRI	>80
Beam Angle (°)	120
LED Lifetime (Hrs)	50000
Voltage (AC)	220-240
Frequency (Hz)	50/60
Dimmable	No
Operating Temp (°C)	-20 to +50

CODE	DESCRIPTION
OV2156W10GY	10W Rectangular LED Wall Fitting - IP54 - 3000K - Grey
OV2156C10GY	10W Rectangular LED Wall Fitting - IP54 - 4000K - Grey



Backlit luminaire with opal lens

PRODUCT APPROVALS

BS EN 60598-1; BS EN IEC 60598-2-1; BS EN 62471; BS EN 61058-1; BS EN 61347-1; BS EN 61347-2-7; BS EN 62493; BS EN 55015; BS EN 61547; BS EN 61000-3-2 & BS EN 61000-3-3



3W IP54 LED 'Up or Downlight' - 3000K



AVAILABLE FINISHES

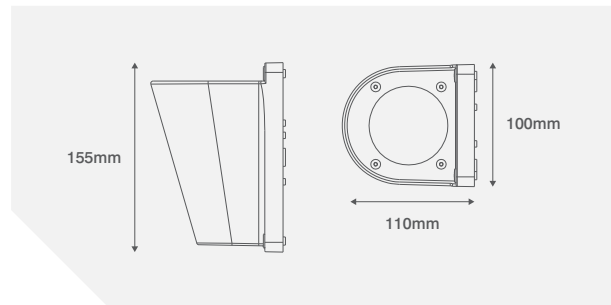


COLOUR TEMPERATURE



CODE	DESCRIPTION
OV502WWAG	Wall Fitting - Anthracite Grey

PRODUCT INFO	
Circuit Wattage (W)	3
CCT (K)	3000
Voltage (AC)	220-240
Frequency (Hz)	50/60
Dimmable	No



PRODUCT APPROVALS

BS EN 60598-1; BS EN IEC 60598-2-1



7W IP65 LED Spike Fittings - IP65

AVAILABLE FINISHES

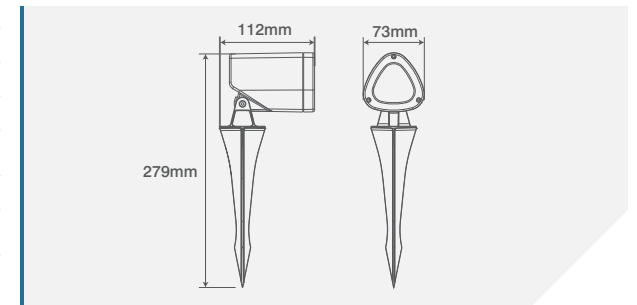


COLOUR TEMPERATURE



PRODUCT INFO		
CCT (K)	3000	4000
Lumens (Lm)	630	
Efficacy (Lm/W)	90	
Wattage (W)	7	
CRI	>80	
Beam Angle (°)	24	
LED Lifetime (Hrs)	50000	
Voltage (AC)	220-240	
Frequency (Hz)	50/60	
Dimmable	No	
Operating Temp (°C)	-20 to +50	

CODE	DESCRIPTION
OV2811W7GY	7W LED Spike Fitting - IP65 - 3000K - Grey
OV2811C7GY	7W LED Spike Fitting - IP65 - 4000K - Grey



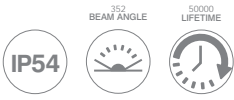
PRODUCT APPROVALS

BS EN 60598-1; BS EN 60598-2-2; BS EN 55015; BS EN 62471; BS EN 62493; BS EN 61000-3-2; BS EN 61000-3-3; BS EN 61547

Prewired with 1 metre flylead



7W IP54 Triangular Mini LED Bollard



AVAILABLE FINISHES

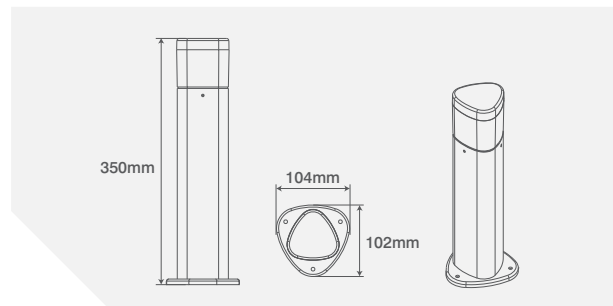


COLOUR TEMPERATURE



CODE	DESCRIPTION
OV2713W7GY	7W Triangular Mini LED Bollard - IP54 - 3000K - Grey
OV2713C7GY	7W Triangular Mini LED Bollard - IP54 - 4000K - Grey

PRODUCT INFO	
CCT (K)	3000 4000
Lumens (Lm)	600
Efficacy (Lm/W)	86
Wattage (W)	7
CRI	>80
Beam Angle (°)	352
LED Lifetime (Hrs)	50000
Voltage (AC)	220-240
Frequency (Hz)	50/60
Dimmable	No
Operating Temp (°C)	-20 to +50



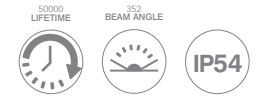
PRODUCT APPROVALS

BS EN 60598-1; BS EN IEC 60598-2-1; BS EN 62471; BS EN 55015; BS EN 61547; BS EN 61000-3-2; BS EN 61000-3-3



7W IP54 Triangular Maxi LED Bollard

AVAILABLE FINISHES

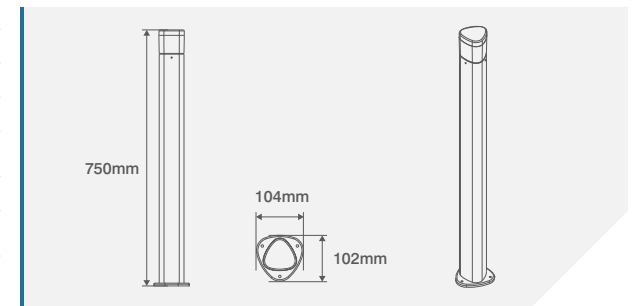


COLOUR TEMPERATURE



PRODUCT INFO	
CCT (K)	3000 4000
Lumens (Lm)	600
Efficacy (Lm/W)	86
Wattage (W)	7
CRI	>80
Beam Angle (°)	352
LED Lifetime (Hrs)	50000
Voltage (AC)	220-240
Frequency (Hz)	50/60
Dimmable	No
Operating Temp (°C)	-20 to +50

CODE	DESCRIPTION
OV2714W7GY	7W Triangular Maxi LED Bollard - IP54 - 3000K - Grey
OV2714C7GY	7W Triangular Maxi LED Bollard - IP54 - 4000K - Grey



PRODUCT APPROVALS

BS EN 60598-1; BS EN IEC 60598-2-1; BS EN 62471; BS EN 55015; BS EN 61547; BS EN 61000-3-2; BS EN 61000-3-3



IP54 Holborn Bollard Single Sided - E27 20W Max.

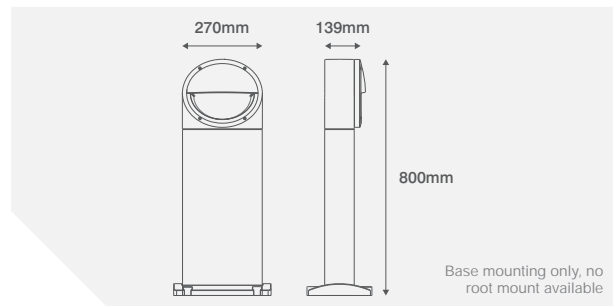
WARRANTY **1** YEAR
 LAMP TYPE **E27** NOT SUPPLIED
IP54

AVAILABLE FINISHES



CODE	DESCRIPTION
OVOL650GY	Single Sided - Grey

PRODUCT INFO	
Wattage (W)	20
Voltage (AC)	220-240
Lampholder Type	E27 / ES
Lamp Quantity	1



Prewired with 1 metre flylead

PRODUCT APPROVALS

BS EN 60598-1; BS EN IEC 60598-2-1



IP54 Holborn Bollard Double Sided - E27 20W Max.

AVAILABLE FINISHES

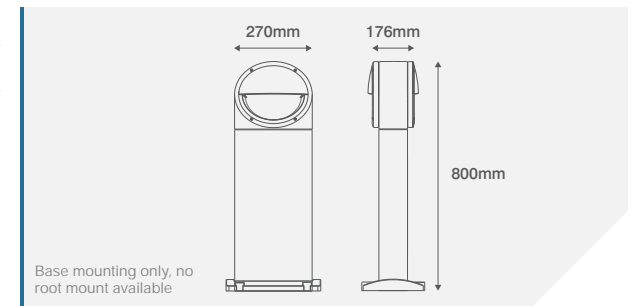


LAMP TYPE **E27** NOT SUPPLIED
 WARRANTY **1** YEAR
IP54



PRODUCT INFO	
Wattage (W)	20
Voltage (AC)	220-240
Lampholder Type	E27 / ES
Lamp Quantity	1

CODE	DESCRIPTION
OVOL655BK	Double Sided - Black
OVOL655GY	Double Sided - Grey



PRODUCT APPROVALS

Prewired with 1 metre flylead

BS EN 60598-1; BS EN IEC 60598-2-1



IP54 Trinity Bollard - E27 11W Max.

AMENITY

WARRANTY **1** YEAR

LAMP TYPE **E27** NOT SUPPLIED

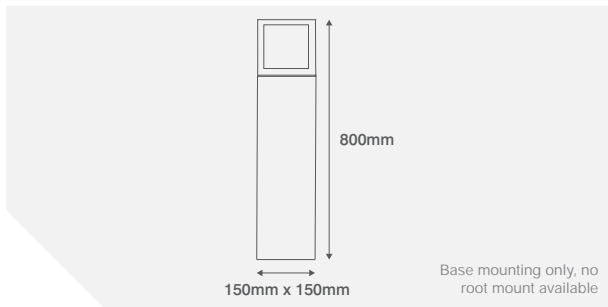
IP54

AVAILABLE FINISHES



CODE	DESCRIPTION
OVOL640GY	E27 Opal Framed - Grey

PRODUCT INFO	
Wattage (W)	11
Voltage (AC)	220-240
Lampholder Type	E27 / ES
Lamp Quantity	1



Prewired with 1 metre flylead

PRODUCT APPROVALS

BS EN 60598-1; BS EN IEC 60598-2-1



IP65 Neo Bollard - 13W Max. GX53

WARRANTY **1** YEAR

LAMP TYPE **GX53** NOT SUPPLIED

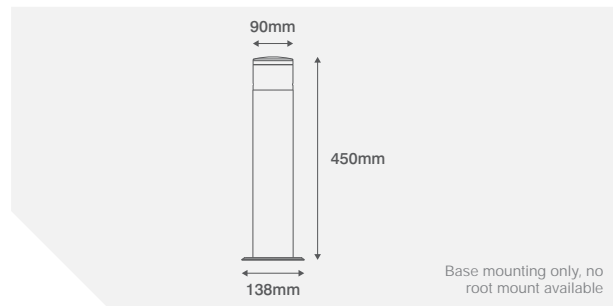
IP65

AVAILABLE FINISHES



CODE	DESCRIPTION
OVOL200GY	GX53 Reflector Bollard - Grey

PRODUCT INFO	
Wattage (W)	13
Voltage (AC)	220-240
Lamp Holder Type	GX53
Lamp Quantity	1



Prewired with 550mm flylead

PRODUCT APPROVALS

BS EN 60598-1; BS EN IEC 60598-2-1



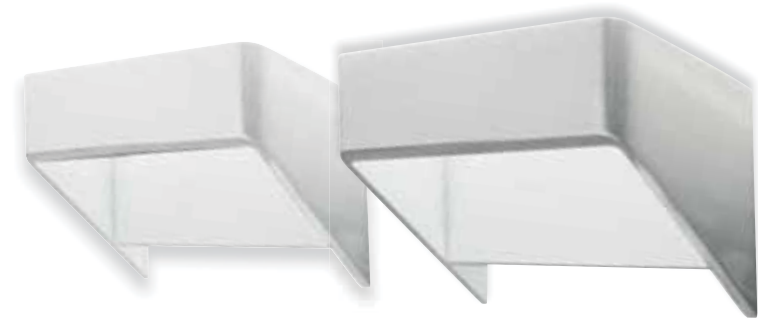
5W LED Wall Fittings - 4000K

AVAILABLE FINISHES



WARRANTY **1** YEAR

IP20

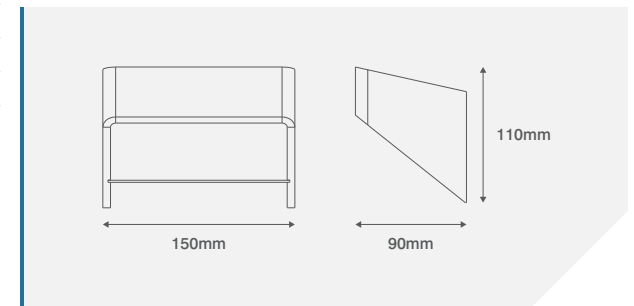


COLOUR TEMPERATURE



PRODUCT INFO	
Circuit Wattage (W)	5
CCT (K)	4000
Voltage (AC)	220-240
Frequency (Hz)	50/60
Dimmable	No

CODE	DESCRIPTION
OV310CWWH	Wall Light - White
OV310CWAL	Wall Light - Aluminium



PRODUCT APPROVALS

BS EN 60598-1; BS EN IEC 60598-2-1



0.8W 12V IP44 LED Plastic Starlight



AVAILABLE FINISHES

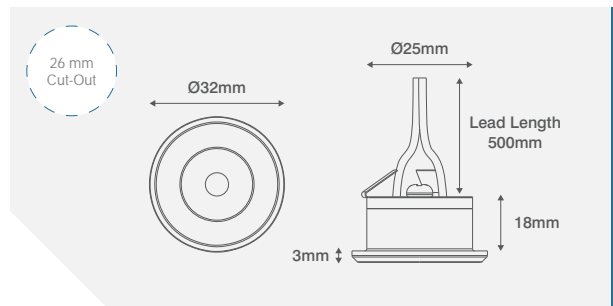


COLOUR TEMPERATURE



CODE	DESCRIPTION
OV204DLWH	Recessed Plastic Starlight - White
OV204DLCH	Recessed Plastic Starlight - Chrome
OV204DLSC	Recessed Plastic Starlight - Satin Chrome

COMPATIBLE PRODUCTS		
OVTR301	0.5-15Va 12V DC LED Driver (Non-dimmable)	See page 132



Prewired with 0.5 metre flylead

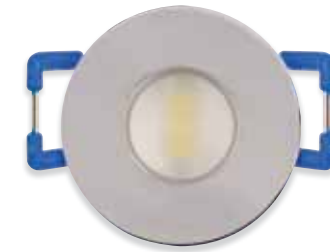
PRODUCT APPROVALS

BS EN 60598-1; BS EN IEC 60598-2-1; BS EN 55015; BS EN 61000-3-2; BS EN 61000-3-3; BS EN 61547



1.6W 12V IP44 LED Cast Starlight

AVAILABLE FINISHES



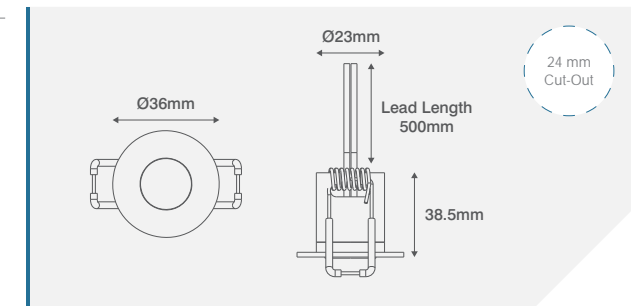
COLOUR TEMPERATURE



PRODUCT INFO	
Circuit Wattage (W)	1.6
CCT (K)	6000
Lumens (Lm)	100
Voltage (AC)	12
Lens Type	Opal

CODE	DESCRIPTION
OV203DLWH	Recessed Cast Starlight - White
OV203DLCH	Recessed Cast Starlight - Chrome
OV203DLSC	Recessed Cast Starlight - Satin Chrome

COMPATIBLE PRODUCTS		
OVTR301	0.5-15Va 12V DC LED Driver (Non-dimmable)	See page 132



PRODUCT APPROVALS

Prewired with 0.5 metre flylead

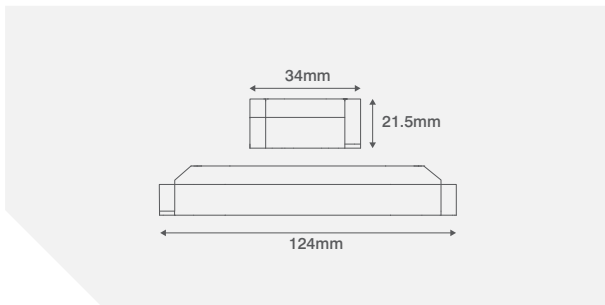
BS EN 60598-1; BS EN IEC 60598-2-1; BS EN 55015; BS EN 61000-3-2; BS EN 61000-3-3; BS EN 61547



12V DC LED Driver



CODE	DESCRIPTION	PRODUCT INFO																		
OVTR301	0.5-15Va LED Driver (Non-dimmable)	<table border="1"> <tr> <td>Circuit Wattage (W)</td> <td>0.5-15</td> </tr> <tr> <td>Input Voltage (AC)</td> <td>220-240</td> </tr> <tr> <td>Output Voltage (V DC)</td> <td>12</td> </tr> <tr> <td>Frequency (Hz)</td> <td>50/60</td> </tr> <tr> <td>Dimmable</td> <td>No</td> </tr> <tr> <td>Operating Temp (°C)</td> <td>-5 to +45</td> </tr> <tr> <td>Driver Type</td> <td>Constant Current</td> </tr> <tr> <td>Current Rating (A)</td> <td>1.25</td> </tr> <tr> <td>Cable Size Max.</td> <td>0.75mm²</td> </tr> </table>	Circuit Wattage (W)	0.5-15	Input Voltage (AC)	220-240	Output Voltage (V DC)	12	Frequency (Hz)	50/60	Dimmable	No	Operating Temp (°C)	-5 to +45	Driver Type	Constant Current	Current Rating (A)	1.25	Cable Size Max.	0.75mm ²
Circuit Wattage (W)	0.5-15																			
Input Voltage (AC)	220-240																			
Output Voltage (V DC)	12																			
Frequency (Hz)	50/60																			
Dimmable	No																			
Operating Temp (°C)	-5 to +45																			
Driver Type	Constant Current																			
Current Rating (A)	1.25																			
Cable Size Max.	0.75mm ²																			



PRODUCT APPROVALS

BS EN 55015; BS EN 61000-3-2; BS EN 61000-3-3; BS EN 61547



A photograph of a modern office meeting room. In the foreground, a light-colored wooden conference table is partially visible. Several orange upholstered chairs with black frames are arranged around the table. The background features large glass windows with black frames, reflecting the interior lights. The overall atmosphere is professional and contemporary. A red triangle is located in the bottom right corner of the image.

CONTROL

CONTROL

Achieving optimum lighting levels is a key consideration for any project involving lighting **along with energy efficiency, cost effectiveness** and the well being of any occupants.

Ovia® offer **domestic, commercial and industrial** solutions ideally suited for all modern-day **lighting applications, which work seamlessly** with new and existing lighting.

Designed to help improve security, save energy and money, our range of sensors will automate lighting with the help of linked microwave sensor installations.

Contents

Recessed	138
Surface	140
Wall	146
Luminaire	150
Photocell	153



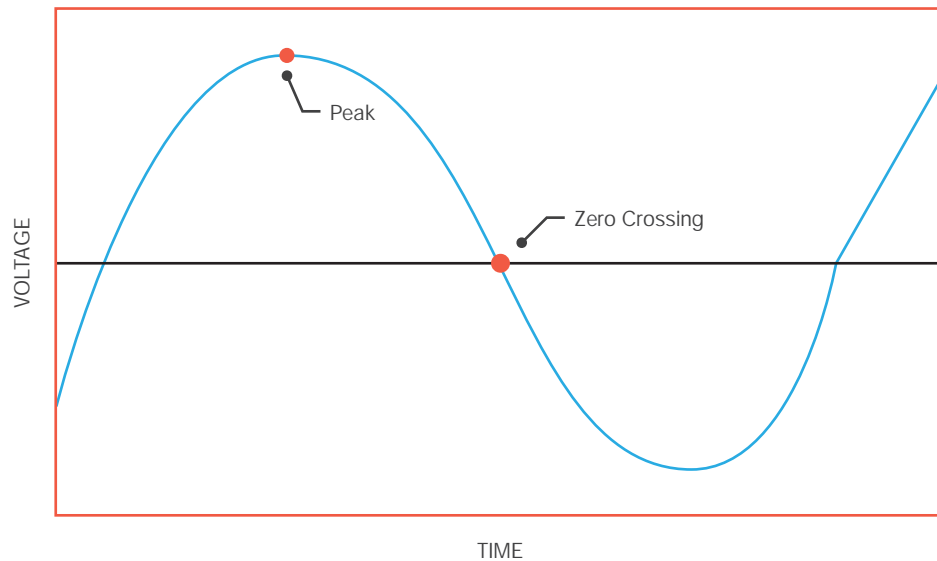
ZERO CROSS TECHNOLOGY

Minimise the effects of high inrush currents using Zero Cross Technology, found in our range of Control Sensors.

How it works?

Zero Crossing refers to the relay switching technology designed into switching relays to assist in managing the high inrush current emitted by LED's, reducing the impact on the switching contacts whilst prolonging the lifespan of the switch or sensor.

Generally when an AC (alternating current) load is switched on, it turns on near the 'Peak' of the AC cycle. Zero Cross Technology has been designed to trigger the load switching when the AC voltage passes the zero mark thus minimising the effects of high inrush currents.



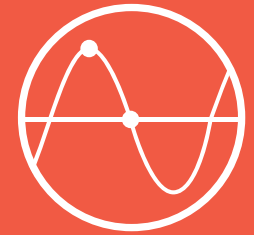
High Inrush Current

Today's modern LED light source offers a host of features and benefits with energy saving being the major factor. The implications when installing an LED light source is the high inrush current on start-up, especially with LED outputs and inrush currents increasing as technology improves.

The high inrush current can have a detrimental effect on any in-line control (switch, PIR, microwave sensor etc.) with inrush currents being as high as 100 times the recommended operating level, e.g. a 20W LED fitting could have an inrush current equivalent to 2000W. If the Load Rating (W) of the in-line control is incorrect could lead to it eventually breaking down over time with a replacement product then required, increasing maintenance costs.

WHAT TO LOOK OUT FOR...

A comprehensive range of PIR and Microwave sensors featuring Zero Cross Technology.



OVPIR008WH

- 360° Recessed Flush PIR
- 5 Year Warranty
- Infrared Sensor
- Indoor Use
- Zero Cross Technology
- Time and Lux Adjustable



OVPIR007WH

- 360° Low Profile Surface PIR
- 5 Year Warranty
- Infrared Sensor
- Indoor Use
- Zero Cross Technology
- Time and Lux Adjustable



OVPIR009WH

- 360° Recessed Flush PIR With Override
- 5 Year Warranty
- Infrared Sensor
- Indoor Use
- Zero Cross Technology
- Time and Lux Adjustable



OVPIR003WH / BK

- 180° Rotatable IP44 PIR - White
- 5 Year Warranty
- IP44 Rated
- Infrared Sensor
- Zero Cross Technology
- Time and Lux Adjustable



OVMS001WH

- 360° Low Profile Surface Microwave Sensor
- 5 Year Warranty
- Microwave Sensor
- Indoor Use
- Zero Cross Technology
- Range, time and Lux Adjustable



OVPIR004WH / BK

- 180° Multi-Directional IP65 PIR - White
- 5 Year Warranty
- IP65 Rated
- Infrared Sensor
- Zero Cross Technology
- Time and Lux Adjustable



OVMS002WHD

- 360° 1-10V Dimmable IP65 Microwave Sensor
- 5 Year Warranty
- IP65 Rated
- Microwave Sensor
- Zero Cross Technology
- Range, Time and Lux Adjustable



OVPIR010WH

- 360° Luminaire Mountable IP65 PIR
- 5 Year Warranty
- IP65 Rated
- Infrared Sensor
- Zero Cross Technology
- Range, Time and Lux Adjustable



OVPIR005WH / BK

- 360° Compact IP44 PIR - White
- 5 Year Warranty
- IP44 Rated
- Infrared Sensor
- Zero Cross Technology
- Time and Lux Adjustable



OVPIR011WHD

- 360° Luminaire Mountable 1-10V Dimmable IP65 PIR With Remote
- 5 Year Warranty
- IP65 Rated
- Zero Cross Technology
- Range, Time and Lux Adjustable



OVPIR006WH / BK

- 360° Surface IP44 PIR
- 5 Year Warranty
- IP44 Rated
- Infrared Sensor
- Zero Cross Technology
- Time and Lux Adjustable



Recessed Flush Passive Infrared Sensor



AVAILABLE FINISHES

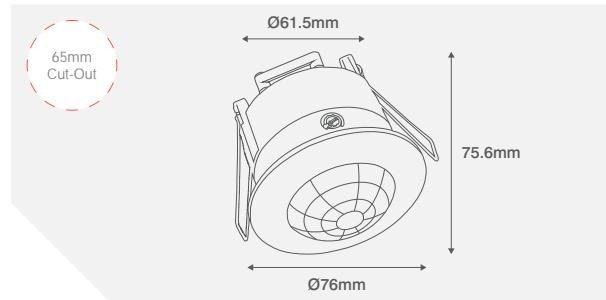


CODE DESCRIPTION

OVPIR008WH 360° Recessed Flush PIR

PRODUCT INFO

Voltage	220-240
Frequency (Hz)	50/60
Operating Temp (°)	-20 to +40
Load Rating (W)	300 (LED) 1200 (Incan.)
Detection Angle (°)	360
Detection Range	Ø6m at 4m
Adjustable Time	10 (Sec) to 15 (Mins)
Daylight Sensitivity (Lux)	3 to 2000
IP Rating	IP20



Zero Cross Technology

PRODUCT APPROVALS

BS EN 60669-1 BS EN 60669-2-1 BS EN 61547 BS EN 55015 BS EN 61000-3-2 BS EN 61000-3-3



Recessed Flush Passive Infrared Sensor

AVAILABLE FINISHES

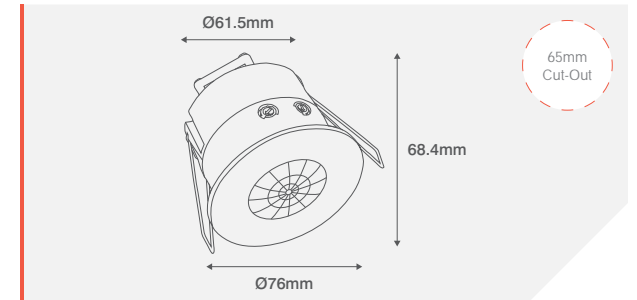


PRODUCT INFO

Voltage	220-240
Frequency (Hz)	50/60
Operating Temp (°)	-20 to +40
Load Rating (W)	600 (LED) 1200 (Incan.)
Detection Angle (°)	360
Detection Range	Ø8m at 4m
Adjustable Time	10 (Sec) to 15 (Mins)
Daylight Sensitivity (Lux)	3 to 2000
IP Rating	IP20

CODE DESCRIPTION

OVPIR009WH 360° Recessed Flush PIR With Override



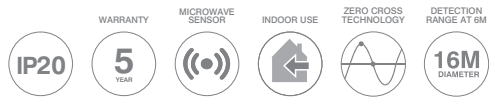
PRODUCT APPROVALS

Zero Cross Technology

BS EN 60669-1 BS EN 60669-2-1 BS EN 61547 BS EN 55015 BS EN 61000-3-2 BS EN 61000-3-3



Surface Mounted Microwave Sensor

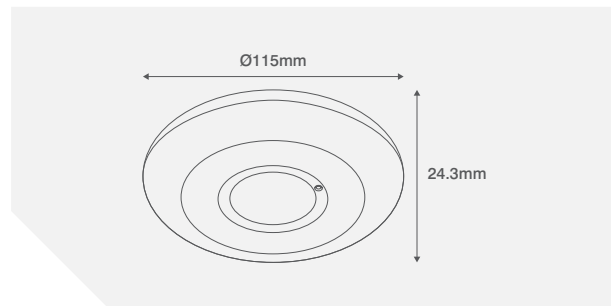


AVAILABLE FINISHES



CODE	DESCRIPTION
OVMS001WH	360° Low Profile Surface Microwave Sensor

PRODUCT INFO	
Voltage	220-240
Frequency (Hz)	50/60
Operating Temp (°)	-20 to +40
Load Rating (W)	1000 (LED) 2000 (Incan.)
Detection Angle (°)	360
Detection Range (M)	Ø16m at 6m
Adjustable Time	10 (Sec) to 12 (Mins)
Daylight Sensitivity (Lux)	3 to 2000
Sensitivity	4 - 16 Metre Diameter
IP Rating	IP20



Zero Cross Technology

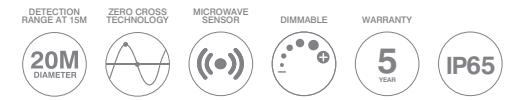
PRODUCT APPROVALS

BS EN 60669-1 BS EN 60669-2-1 BS EN 61547 BS EN 55015 BS EN 61000-3-2 BS EN 61000-3-3



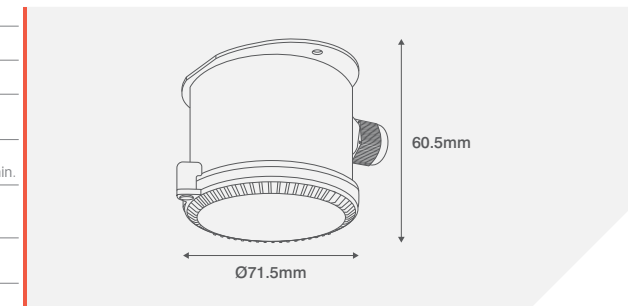
Surface Mounted Microwave Sensor

AVAILABLE FINISHES



PRODUCT INFO	
Voltage	220-240
Frequency (Hz)	50/60
Dimmable	1-10V
Operating Temp (°)	-20 to +40
Load Rating (W)	1000 (LED) 2000(Incan.)
Detection Angle (°)	360
Detection Range	Ø20m at 15m
Adjustable Range (%)	50, 100
Stand-by Period	5s, 30s, 90s, 3min., 5min., 10min., 20min. & 30min.
Stand-by Dimmed Level (%)	10, 20, 30, 50
Daylight Sensitivity (Lux)	2, 10, 50, 2000
IP Rating	IP65

CODE	DESCRIPTION
OVMS002WHD	360° 1-10V Dimmable IP65 Microwave Sensor



PRODUCT APPROVALS

Zero Cross Technology

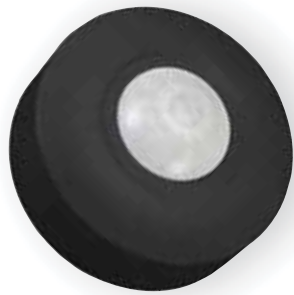
BS EN 61058-1 BS EN 61547 BS EN 55015 BS EN 61000-3-2 BS EN 61000-3-3



Surface Mounted Passive Infrared Sensor

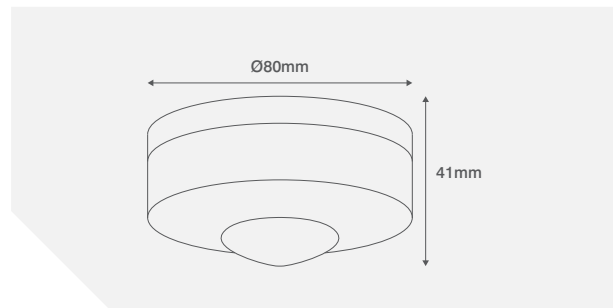


AVAILABLE FINISHES



CODE	DESCRIPTION
OVPIR005WH	360° Compact IP44 PIR - White
OVPIR005BK	360° Compact IP44 PIR - Black

PRODUCT INFO	
Voltage	220-240
Frequency (Hz)	50/60
Operating Temp (°)	-20 to +40
Load Rating (W)	300 (LED) 1200 (Incan.)
Detection Angle (°)	360
Detection Range	Ø6m at 4m
Adjustable Time	10 (Sec) to 15 (Mins)
Daylight Sensitivity (Lux)	3 to 2000
IP Rating	IP44



Zero Cross Technology

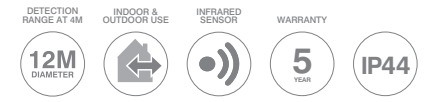
PRODUCT APPROVALS

BS EN 60669-1 BS EN 60669-2-1 BS EN 61547 BS EN 55015 BS EN 61000-3-2 BS EN 61000-3-3



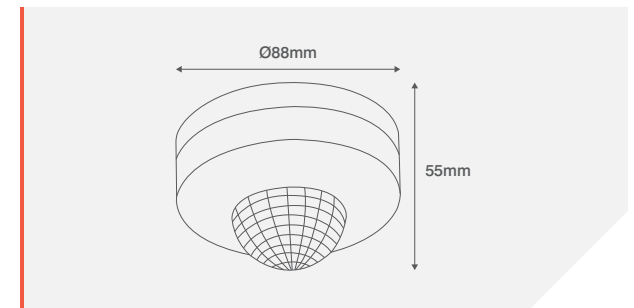
Surface Mounted Passive Infrared Sensor

AVAILABLE FINISHES



PRODUCT INFO	
Voltage	220-240
Frequency (Hz)	50/60
Operating Temp (°)	-20 to +40
Load Rating (W)	300 (LED) 1200 (Incan.)
Detection Angle (°)	360
Detection Range	Ø12m at 4m
Adjustable Time	10 (Sec) to 15 (Mins)
Daylight Sensitivity (Lux)	3 to 2000
IP Rating	IP44

CODE	DESCRIPTION
OVPIR006WH	360° Surface IP44 PIR - White
OVPIR006BK	360° Surface IP44 PIR - Black



PRODUCT APPROVALS

Zero Cross Technology

BS EN 61058-1 BS EN 61547 BS EN 55015 BS EN 61000-3-2 BS EN 61000-3-3



Surface Mounted Passive Infrared Sensor

CONTROLS

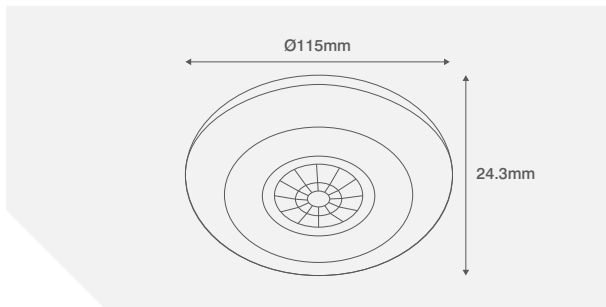
IP20
WARRANTY 5 YEAR
INFRARED SENSOR
INDOOR USE
ZERO CROSS TECHNOLOGY
DETECTION RANGE AT 4M

AVAILABLE FINISHES



CODE	DESCRIPTION
OVPIR007WH	360° Low Profile Surface PIR

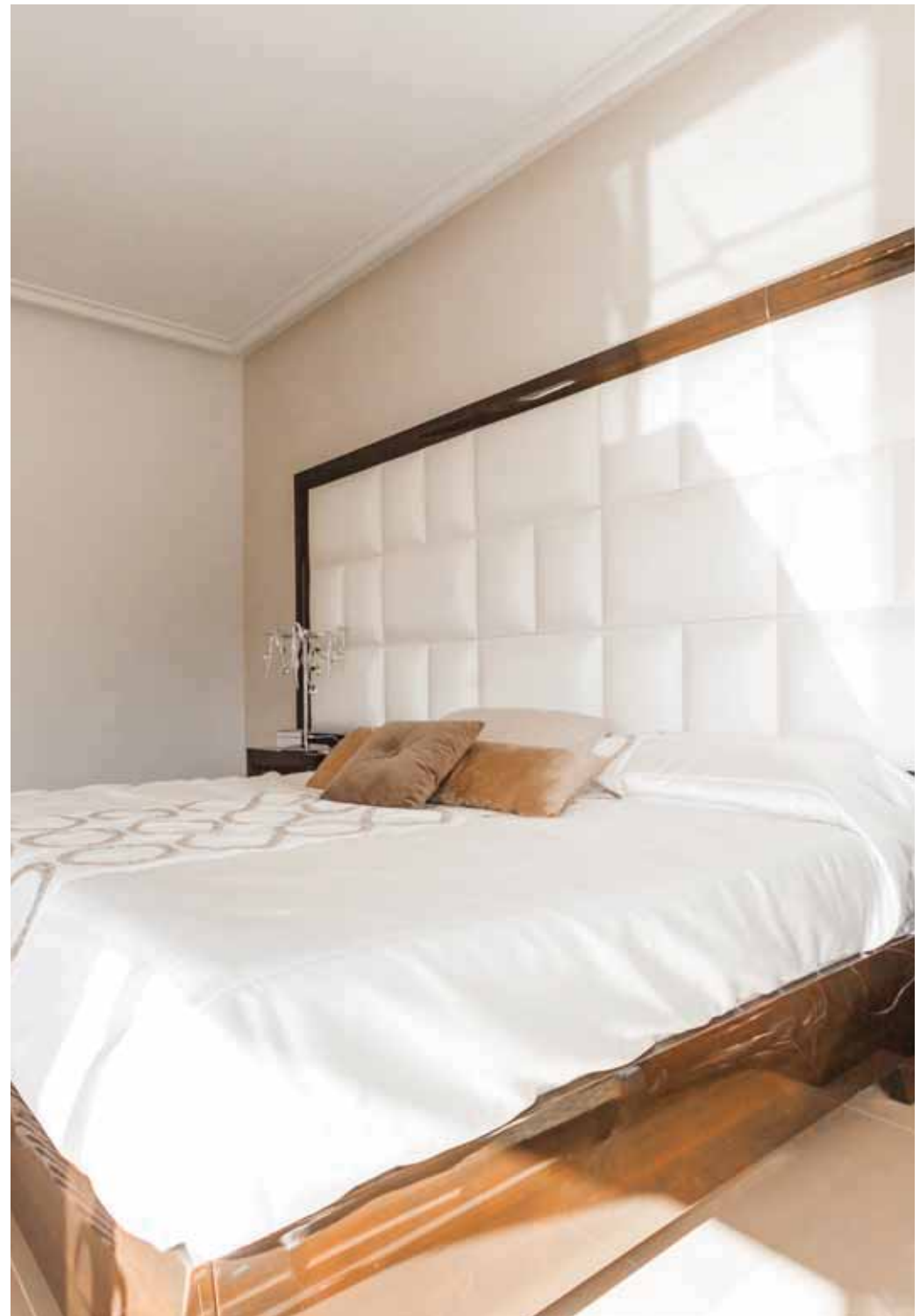
PRODUCT INFO	
Voltage	220-240
Frequency (Hz)	50/60
Operating Temp (°)	-20 to +40
Load Rating (W)	1000 (LED) 2000 (Incan.)
Detection Angle (°)	360
Detection Range	Ø8m at 4m
Adjustable Time	10 (Sec) to 15 (Mins)
Daylight Sensitivity (Lux)	3 to 2000
IP Rating	IP20



Zero Cross Technology

PRODUCT APPROVALS

BS EN 60669-1 BS EN 60669-2-1 BS EN 61547 BS EN 55015 BS EN 61000-3-2 BS EN 61000-3-3



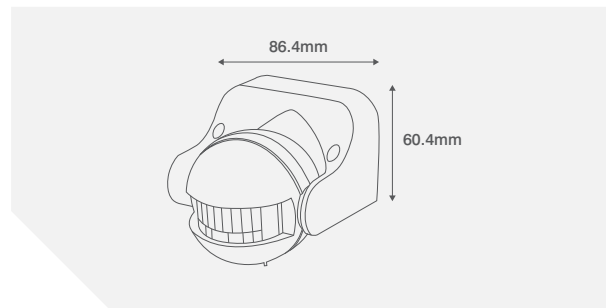
Wall Mounted Passive Infrared Sensor

IP44
WARRANTY 3 YEAR
INFRARED SENSOR
INDOOR & OUTDOOR USE
DETECTION RANGE UP TO 12M

AVAILABLE FINISHES



CODE	DESCRIPTION
OVPIR001WH	180° Tilttable IP44 PIR - White
OVPIR001BK	180° Tilttable IP44 PIR - Black



PRODUCT INFO	
Voltage	220-240
Frequency (Hz)	50/60
Operating Temp (°)	-20 to +40
Load Rating (W)	300 (LED) 1200 (Incan.)
Detection Angle (°)	180
Detection Range	Upto 12m Max.
Adjustable Time	10 (Sec) to 7 (Mins)
Daylight Sensitivity (Lux)	3 to 2000
IP Rating	IP44

PRODUCT APPROVALS

BS EN 60669-1 BS EN 60669-2-1 BS EN 61058-1 BS EN 61547 BS EN 55015 BS EN 61000-3-2 BS EN 61000-3-3



Wall Mounted Passive Infrared Sensor

AVAILABLE FINISHES



DETECTION RANGE 5-12M
INDOOR & OUTDOOR USE
INFRARED SENSOR
WARRANTY 3 YEAR
IP44

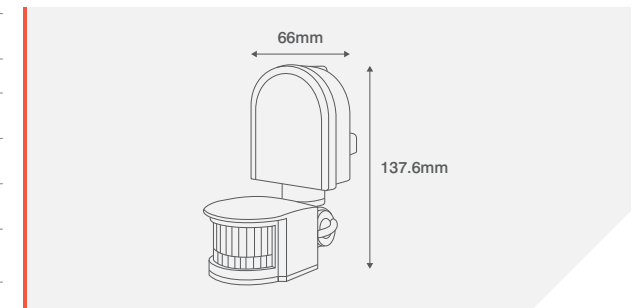


PRODUCT INFO	
Voltage	220-240
Frequency (Hz)	50/60
Operating Temp (°)	-20 to +40
Load Rating (W)	300 (LED) 1200 (Incan.)
Detection Angle (°)	180
Detection Range	5m to 12m
Adjustable Time	10 (Sec) to 7 (Mins)
Daylight Sensitivity (Lux)	3 to 2000
IP Rating	IP44

PRODUCT APPROVALS

BS EN 61058-1 BS EN 61547 BS EN 55015 BS EN 61000-3-2 BS EN 61000-3-3

CODE	DESCRIPTION
OVPIR002WH	180° Multi-Directional IP44 PIR - White
OVPIR002BK	180° Multi-Directional IP44 PIR - Black



Wall Mounted Passive Infrared Sensor

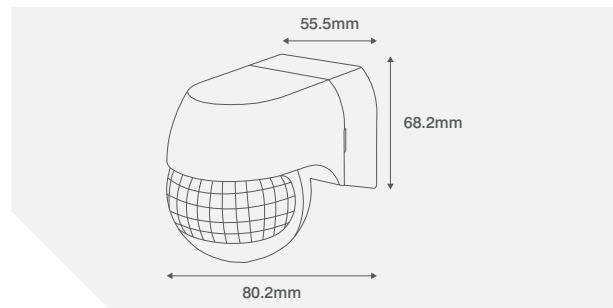
WARRANTY 5 YEAR INFRARED SENSOR INDOOR & OUTDOOR USE ZERO CROSS TECHNOLOGY DETECTION RANGE UP TO 12M

IP44

AVAILABLE FINISHES



CODE	DESCRIPTION
OVPIR003WH	180° Rotatable IP44 PIR - White
OVPIR003BK	180° Rotatable IP44 PIR - Black



PRODUCT INFO	
Voltage	220-240
Frequency (Hz)	50/60
Operating Temp (°)	-20 to +40
Load Rating (W)	400 (LED) 800 (Incan.)
Detection Angle (°)	180
Detection Range	Upto 12m Max.
Adjustable Time	10 (Sec) to 15 (Mins)
Daylight Sensitivity (Lux)	3 to 2000
IP Rating	IP44

Zero Cross Technology

PRODUCT APPROVALS

BS EN 60669-1 BS EN 60669-2-1 BS EN 61058-1 BS EN 61547 BS EN 55015 BS EN 61000-3-2 BS EN 61000-3-3



Wall Mounted Passive Infrared Sensor

AVAILABLE FINISHES

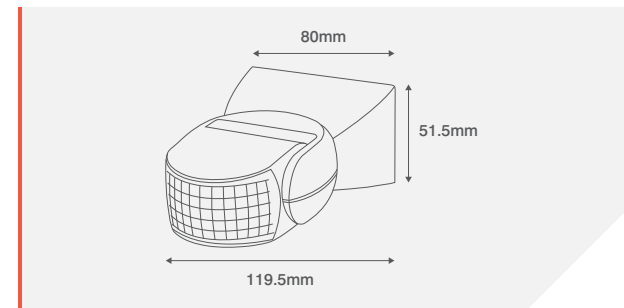


DETECTION RANGE UP TO 12M ZERO CROSS TECHNOLOGY INDOOR & OUTDOOR USE INFRARED SENSOR WARRANTY 5 YEAR IP65



PRODUCT INFO	
Voltage	220-240
Frequency (Hz)	50/60
Operating Temp (°)	-20 to +40
Load Rating (W)	300 (LED) 1200 (Incan.)
Detection Angle (°)	180
Detection Range	Upto 12m Max.
Adjustable Time	10 (Sec) to 15 (Mins)
Daylight Sensitivity (Lux)	3 to 2000
IP Rating	IP65

CODE	DESCRIPTION
OVPIR004WH	180° Multi-Directional IP65 PIR - White
OVPIR004BK	180° Multi-Directional IP65 PIR - Black



PRODUCT APPROVALS

Zero Cross Technology

BS EN 60669-1 BS EN 60669-2-1 BS EN 61547 BS EN 55015 BS EN 61000-3-2 BS EN 61000-3-3



Luminaire Mounted Passive Infrared Sensor

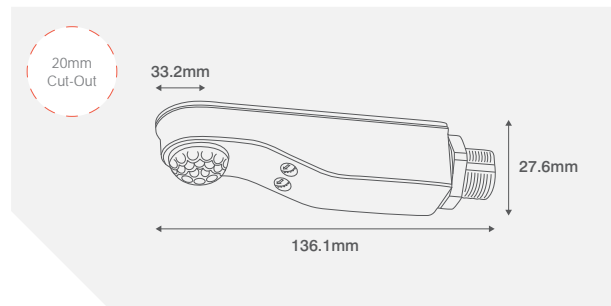


AVAILABLE FINISHES



CODE	DESCRIPTION
OVPIRO10WH	360° Luminaire Mountable IP65 PIR

PRODUCT INFO	
Voltage	220-240
Frequency (Hz)	50/60
Operating Temp (°)	-20 to +40
Load Rating (W)	500 (LED) 1200 (Incan.)
Detection Angle (°)	360
Detection Range	Ø10m at 6m
Adjustable Time	10 (Sec) to 30 (Mins)
Daylight Sensitivity (Lux)	3 to 2000
IP Rating	IP65



Zero Cross Technology

PRODUCT APPROVALS

BS EN 61058-1 BS EN 61547 BS EN 55015 BS EN 61000-3-2 BS EN 61000-3-3



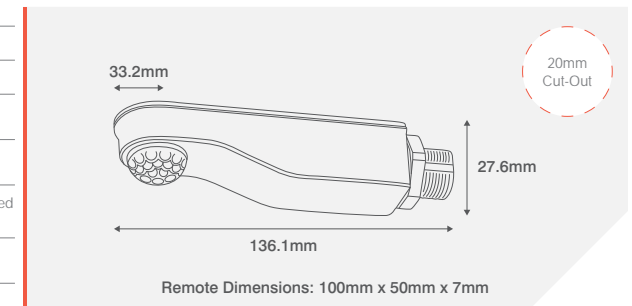
Luminaire Mounted Passive Infrared Sensor

AVAILABLE FINISHES



PRODUCT INFO	
Voltage	220-240
Frequency (Hz)	50/60
Dimmable	1-10V
Operating Temp (°)	-20 to +40
Load Rating (W)	500 (LED) 1200 (Incan.)
Detection Angle (°)	360
Detection Range	Ø10m at 6m
Adjustable Range (%)	50, 75, 100
Stand-by Period	10s, 1min., 3min., 7min., 15min. & 30min.
Stand-by Dimmed Level (%)	OFF, 10, 20, 30 (OFF disabled dimming period)
Daylight Sensitivity (Lux)	10, 50, 150, 2000
IP Rating	IP65

CODE	DESCRIPTION
OVPIRO11WHD	360° Luminaire Mountable 1-10V Dimmable IP65 PIR With Remote



PRODUCT APPROVALS

Zero Cross Technology

BS EN 61058-1 BS EN 61547 BS EN 55015 BS EN 61000-3-2 BS EN 61000-3-3





Wall Mounted Photocell

AVAILABLE FINISHES



PRODUCT INFO

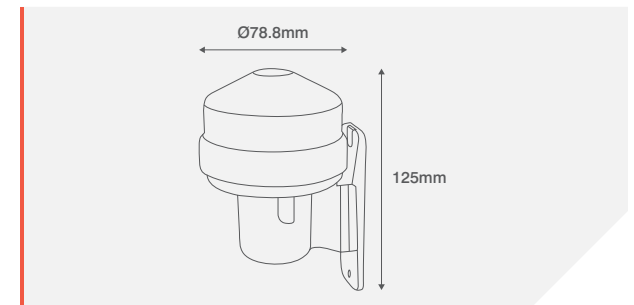
Voltage	220-240
Frequency (Hz)	50/60
Operating Temp (°)	-20 to +40
Load Rating (W)	300 (LED) 1200(Incan.)
Detection Angle (°)	360
Lux Level	5-15 (Not Adjustable)
IP Rating	IP44

CODE

OVPC001BK

DESCRIPTION

IP44 Photocell



PRODUCT APPROVALS

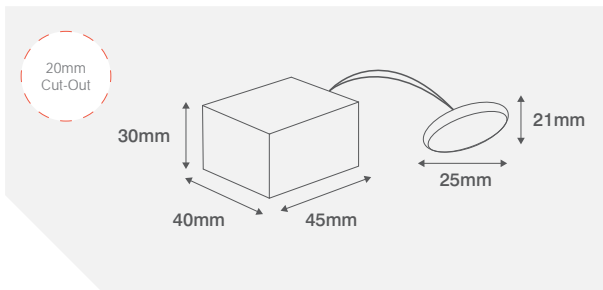
BS EN 61058-1 BS EN 61547 BS EN 55015 BS EN 61000-3-2 BS EN 61000-3-3



Luminaire Mounted Photocell



CODE	DESCRIPTION	PRODUCT INFO												
OVPC002	IP65 Remote Photocell	<table border="1"> <tr> <td>Voltage</td> <td>220-240</td> </tr> <tr> <td>Frequency (Hz)</td> <td>50/60</td> </tr> <tr> <td>Operating Temp (°)</td> <td>-40 to +70</td> </tr> <tr> <td>Load Rating (W)</td> <td>400</td> </tr> <tr> <td>Lux Level</td> <td>70 (automatic dusk/dawn)</td> </tr> <tr> <td>IP Rating</td> <td>IP65</td> </tr> </table>	Voltage	220-240	Frequency (Hz)	50/60	Operating Temp (°)	-40 to +70	Load Rating (W)	400	Lux Level	70 (automatic dusk/dawn)	IP Rating	IP65
Voltage	220-240													
Frequency (Hz)	50/60													
Operating Temp (°)	-40 to +70													
Load Rating (W)	400													
Lux Level	70 (automatic dusk/dawn)													
IP Rating	IP65													



PRODUCT APPROVALS

BS EN 61058-1 BS EN 61547 BS EN 55015 BS EN 61000-3-2 BS EN 61000-3-3





UTILITY LIGHTING

UTILITY LIGHTING

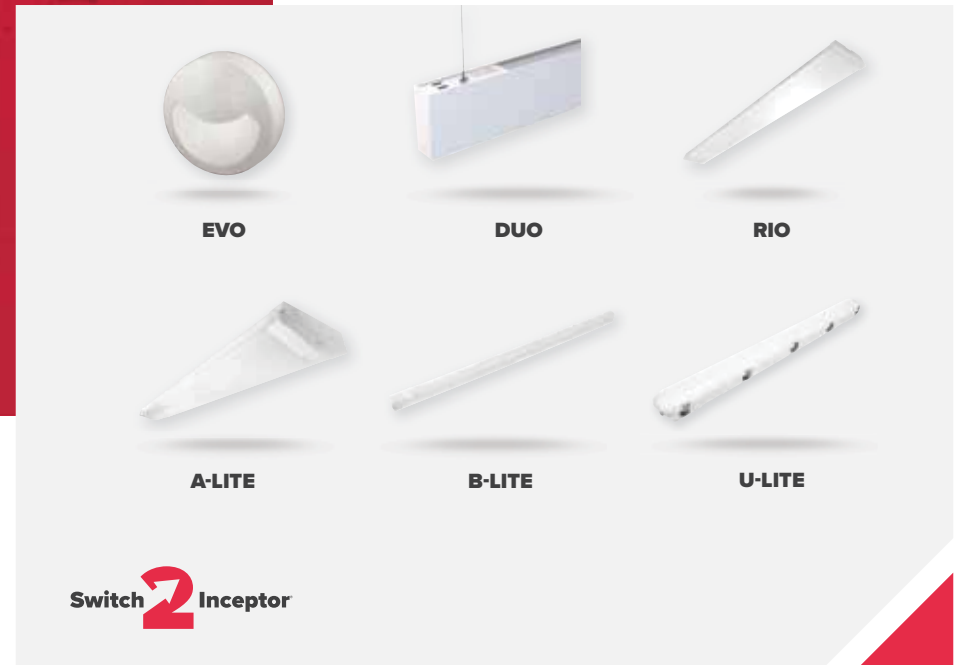
Meeting with contractor approvals our Utility range has been designed and developed utilising some of the fastest methods to assist with speed and ease of installation.

A complete range of fluorescent equivalent products provides a solution for a wide range of retrofit and new installations. This range offers a multitude of features and a modern design including a pre-installed microwave option for automated control whilst saving energy.

Emergency battery backup options are also available to assist with meeting compliance of BS 5266-1 code of practice for the emergency lighting of premises.



INCEPTOR® PRODUCTS TO LOOK OUT FOR IN THIS SECTION...



Contents

Bulkhead	158
Linear	198

INCEPTOR® EVO

LED BULKHEAD



Circular



Eyelid



Integrated Flow™ Connector

An integrated 4 Pole Flow™ connector allows for quick and simple connection & disconnection for initial and periodic testing to be carried out.



Fast-fit Twist and Lock Installation

The twist and lock process saves time during the installation which simplifies the maintenance and servicing of the luminaire.



Microwave Sensor Version
Photocell - dusk till dawn switching
Adjustable time delay Up to 20 minutes
Adjustable detection range (1m - 10m).



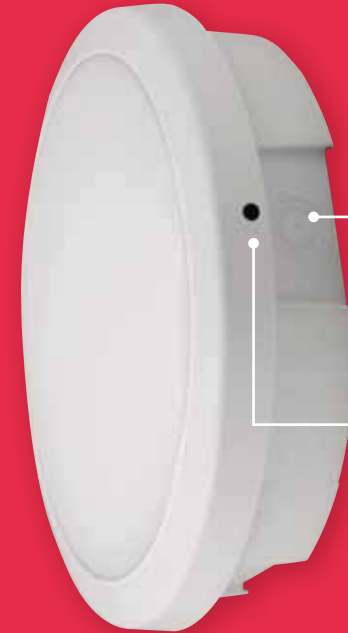
Emergency Version
3 hour maintained emergency
No need for emergency conversion
LED indicator.



Corridor Function Version
Reduce energy consumption
Simple switch activates corridor function.



Self Test Version
Self-Test emergency lighting checks itself automatically to ensure that the battery and lamp in each emergency light are fully operational.



One rear and four side entry points

Rear cable access can be achieved via the rubber grommet located in the centre. Suitable for use with 20mm and 25mm conduit fixings.

Anti-tamper screw (PC housing)

Prevent unauthorised access, theft or removal of the luminaire. This makes the Evo particularly suitable for public areas such as schools and shopping malls.

Metal enclosures

The robust polycarbonate construction (IK08) can be enhanced further by encasing the body in an additional metal enclosure, providing excellent vandal resistant protection (IK10).

*METAL HOUSING SOLD SEPARATELY

Steel base plate with rear access

A steel base plate with access to rear and 4 side entry points making it secure and easy to install.

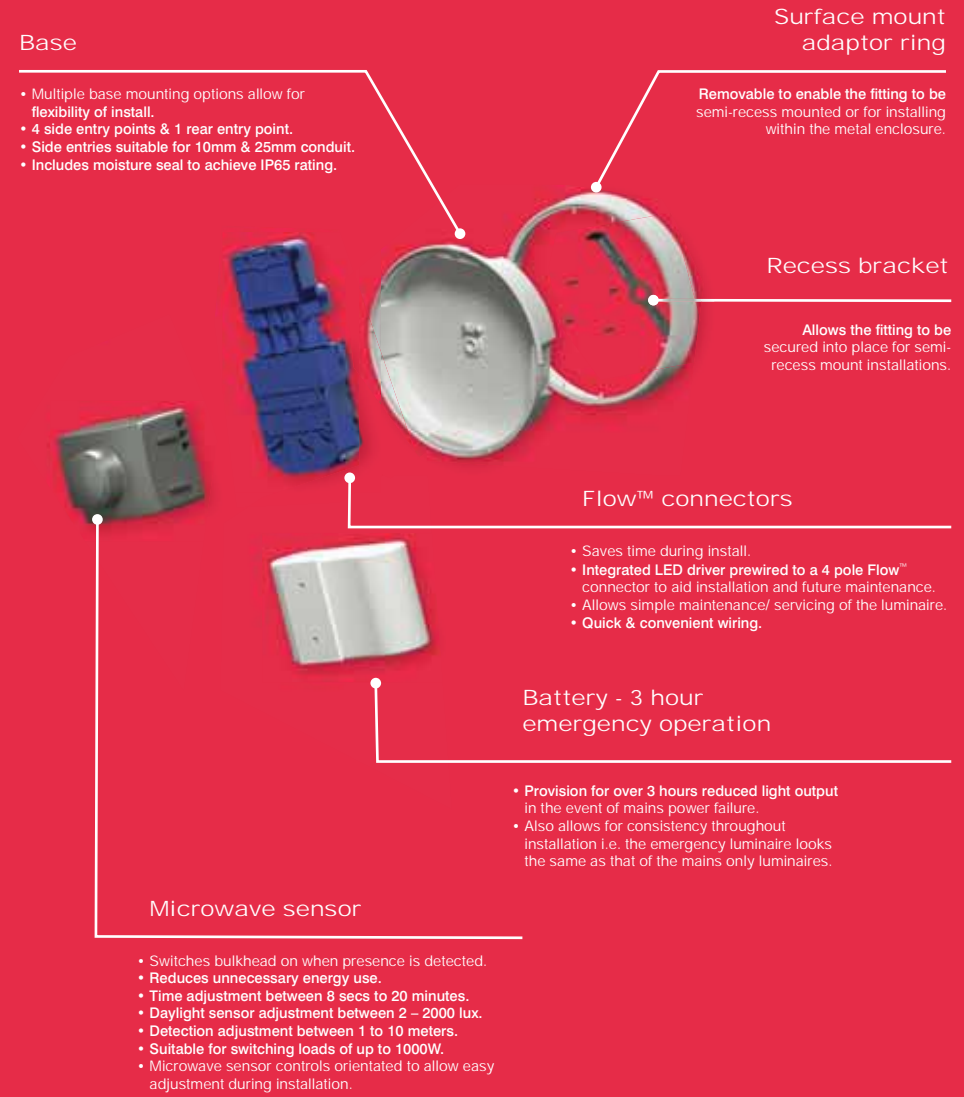
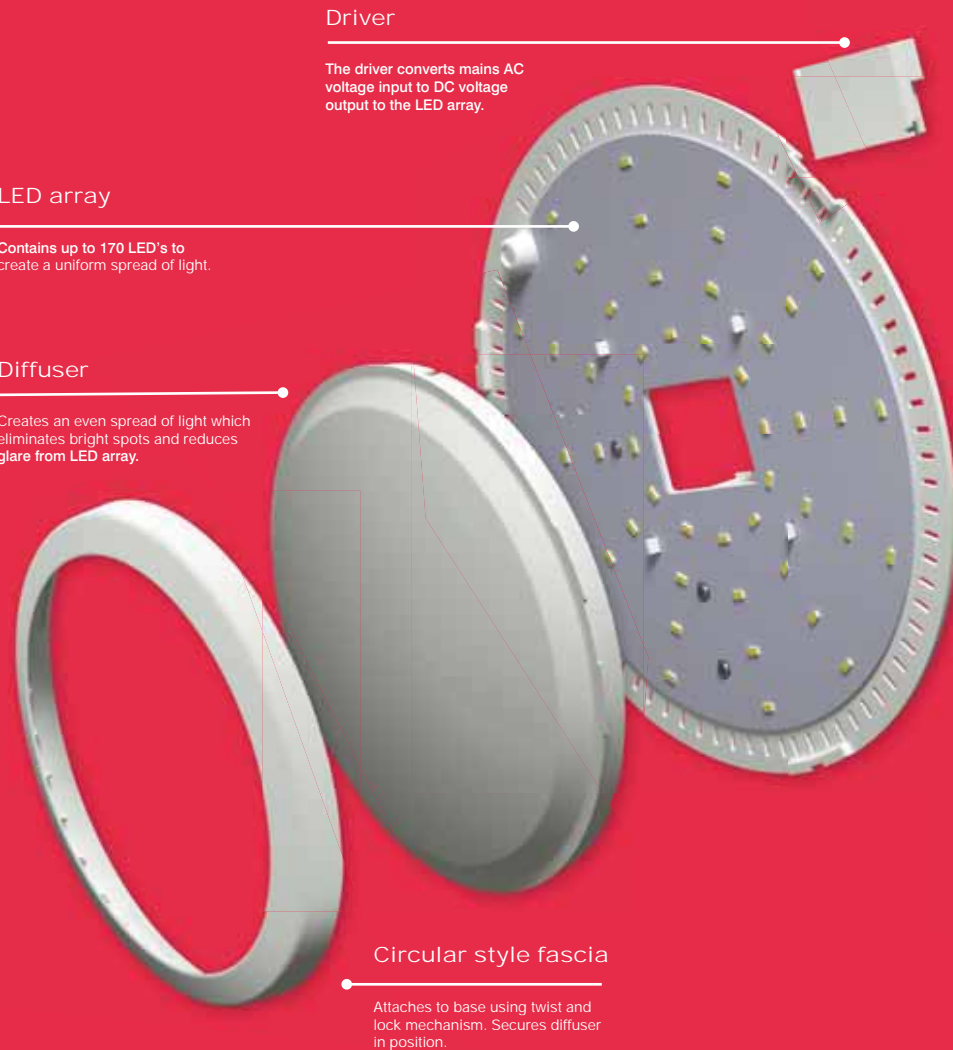


Die-cast aluminium body

The Inceptor® Evo metal bulkhead housing consist of a die-cast aluminium body with tamper proof screws.



INCEPTOR[®] EVO



INCEPTOR® EVO HOUSING

Distinct aluminium designs

IK10

Circular

A Circular fascia allows light to be distributed at an optimum beam angle of 120°.



Eyelid

The Eyelid fascia reduces upward glare, providing greater direction and emphasis of illumination.



Grille

For architectural & design settings the Grille is a perfect fascia which also reduces glare.



Robust metal base plate with access to rear.

Having a robust base plate at the back of the enclosure keeps the luminaire as secure as possible whilst keeping any damage to a minimum.

The PC cover can be locked using the tamper-proof screw. The metal enclosure is also supplied with four cover retaining screws.



The Inceptor® Evo is manufactured using high-quality, UV stabilised Polycarbonate with a design that reaches IK08; making it suitable for installations within harsh environments including in direct sunlight.

With removal of the PC rear "skirt", the Evo can be fitted inside our range of metal enclosures increasing robustness to IK Level 10. Four Hex-Head bolts seal the product shut for additional security.

Die-cast aluminium body

A die cast aluminium body ensures a high grade surface finish and a solid body to keep the bulkhead protected from any damage that may occur, especially in commercial areas.



Four side entry points

Offering the same cable entry locations as the Evo's polycarbonate main body; with the four side entries sealed with removable inserts.

OVIA

INCEPTOR® EVO | BULKHEAD

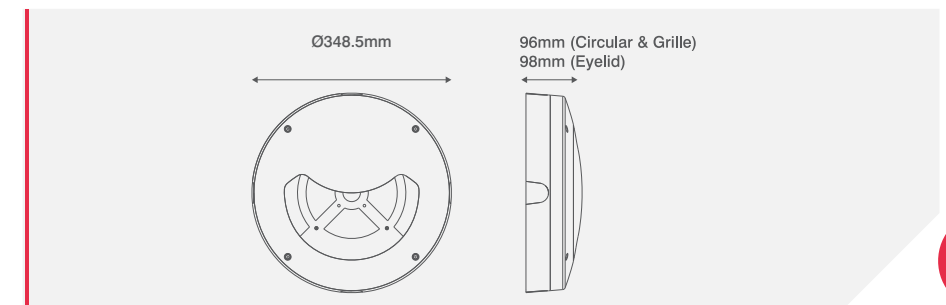
IK10 Metal Housings For Inceptor® Evo

AVAILABLE FINISHES



CODE DESCRIPTION

OV9001BK	IK10 Circular Housing - Black
OV9002BK	IK10 Eyelid Housing - Black
OV9003BK	IK10 Grille Housing - Black
OV9001WH	IK10 Circular Housing - White
OV9002WH	IK10 Eyelid Housing - White
OV9003WH	IK10 Grille Housing - White



PRODUCT APPROVALS

BS EN 62262

Suitable for use with standard range of Inceptor® Evo bulkheads (Not Supplied)



10W IP65 LED Bulkhead



AVAILABLE FINISHES

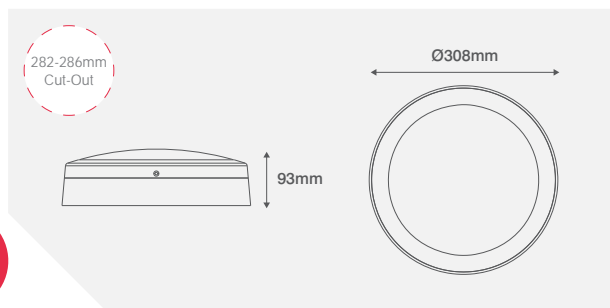


COLOUR TEMPERATURE



CODE	DESCRIPTION
OV9500WH9	Bulkhead - White
OV9500WH93EM	Bulkhead With Emergency - White
OV9500WH93EMST	Bulkhead With Emergency Self-Test - White

COMPATIBLE PRODUCTS	See page 163
OV9001BK/WH	Circular Metal Housing For Inceptor® EVO - Black or White
OV9002BK/WH	Eyelid Metal Housing For Inceptor® EVO - Black or White
OV9003BK/WH	Grille Metal Housing For Inceptor® EVO - Black or White



PRODUCT INFO	Mains	Emergency
Circuit Wattage (W)	10	12
Lumens (lm)	1210	1210
Lumens (lm) (Emergency)	N/A	349
Efficacy (lm/W)	121	101
CCT (K)	4200	
CRI	68.4	
Beam Angle (°)	120	
LED Lifetime (Hrs)	50000	
Voltage (AC)	220-240	
Frequency (Hz)	50/60	
Operating Temp (°C)	-5 to +45	+5 to +45

Complete with prewired Flow™ Connector

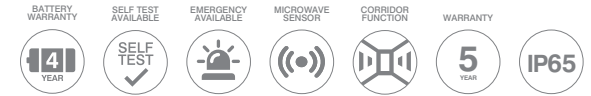
PRODUCT APPROVALS

BS EN 60598-1 BS EN 60598-2-22 BS EN 60598-2-1 BS EN 61347-1 BS EN 61347-2-13 BS EN 61347-2-7 BS EN 55015 BS EN 61000-3-2 BS EN 61000-3-3



10W IP65 LED Bulkhead

AVAILABLE FINISHES



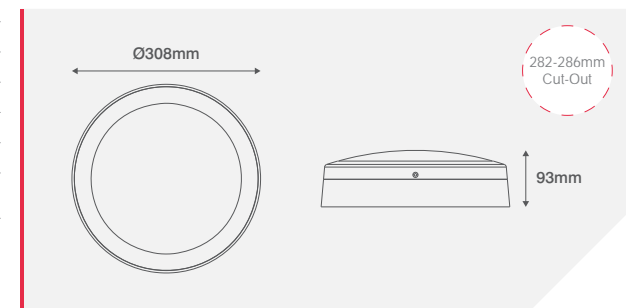
COLOUR TEMPERATURE



PRODUCT INFO	Mains	Emergency
Circuit Wattage (W)	13	18
Lumens (lm)	1380	1560
Lumens (lm) (Standby)	200	275
Lumens (lm) (Emergency)	N/A	349
Efficacy (lm/W)	154	89
CCT (K)	4200	
CRI	68.4	
Beam Angle (°)	120	
LED Lifetime (Hrs)	50000	
Voltage (AC)	220-240	
Frequency (Hz)	50/60	
Operating Temp (°C)	-5 to +45	+5 to +45

CODE	DESCRIPTION
OV9500WH9MS	Bulkhead With Microwave Sensor - White
OV9500WH9MS3EM	Bulkhead With Microwave Sensor & Emergency - White
OV9500WH9MS3EMST	Bulkhead With Microwave Sensor & Emergency Self-Test - White

COMPATIBLE PRODUCTS	See page 163
OV9001BK/WH	Circular Metal Housing For Inceptor® EVO - Black or White
OV9002BK/WH	Eyelid Metal Housing For Inceptor® EVO - Black or White
OV9003BK/WH	Grille Metal Housing For Inceptor® EVO - Black or White



PRODUCT APPROVALS

Complete with prewired Flow™ Connector

BS EN 60598-1 BS EN 60598-2-22 BS EN 60598-2-1 BS EN 61347-1 BS EN 61347-2-13 BS EN 61347-2-7 BS EN 55015 BS EN 61000-3-2 BS EN 61000-3-3



10W Eyelid IP65 LED Bulkhead



AVAILABLE FINISHES



Pre-wired
flow
Connector

COLOUR TEMPERATURE

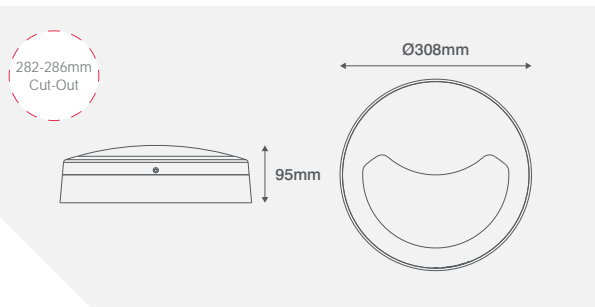


ON SITE
WARRANTY

CODE	DESCRIPTION
OV9505WH9	Bulkhead - White
OV9505WH93EM	Bulkhead With Emergency - White
OV9505WH93EMST	Bulkhead With Emergency Self-Test - White

COMPATIBLE PRODUCTS		See page 163
OV9001BK/WH	Circular Metal Housing For Inceptor® EVO - Black or White	
OV9002BK/WH	Eyelid Metal Housing For Inceptor® EVO - Black or White	
OV9003BK/WH	Grille Metal Housing For Inceptor® EVO - Black or White	

PRODUCT INFO	Mains		Emergency
	Circuit Wattage (W)	10	12
Lumens (lm)	543	543	
Lumens (lm) (Emergency)	N/A	141	
Efficacy (lm/W)	54	45	
CCT (K)	4200		
CRI	68.4		
Beam Angle (°)	120		
LED Lifetime (Hrs)	50000		
Voltage (AC)	220-240		
Frequency (Hz)	50/60		
Operating Temp (°C)	-5 to +45	+5 to +45	



Complete with prewired Flow™ Connector

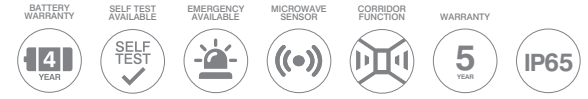
PRODUCT APPROVALS

BS EN 60598-1 BS EN 60598-2-22 BS EN 60598-2-1 BS EN 61347-1 BS EN 61347-2-13 BS EN 61347-2-7 BS EN 55015 BS EN 61000-3-2 BS EN 61000-3-3



10W Eyelid IP65 LED Bulkhead

AVAILABLE FINISHES



Pre-wired
flow
Connector

COLOUR TEMPERATURE

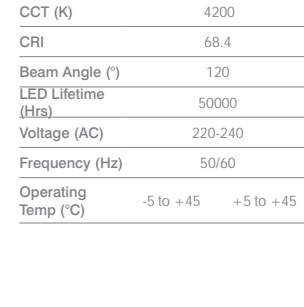


ON SITE
WARRANTY

PRODUCT INFO	Mains		Emergency
	Circuit Wattage (W)	13	18
Lumens (lm)	543	607	
Lumens (lm) (Corridor)	100	130	
Lumens (lm) (Emergency)	N/A	141	
Efficacy (lm/W)	42	33	
CCT (K)	4200		
CRI	68.4		
Beam Angle (°)	120		
LED Lifetime (Hrs)	50000		
Voltage (AC)	220-240		
Frequency (Hz)	50/60		
Operating Temp (°C)	-5 to +45	+5 to +45	

CODE	DESCRIPTION
OV9505WH9MS	Bulkhead With Microwave Sensor - White
OV9505WH9MS3EM	Bulkhead With Microwave Sensor & Emergency - White
OV9505WH9MS3EMST	Bulkhead With Microwave Sensor & Emergency Self-Test - White

COMPATIBLE PRODUCTS		See page 163
OV9001BK/WH	Circular Metal Housing For Inceptor® EVO - Black or White	
OV9002BK/WH	Eyelid Metal Housing For Inceptor® EVO - Black or White	
OV9003BK/WH	Grille Metal Housing For Inceptor® EVO - Black or White	



PRODUCT APPROVALS

Complete with prewired Flow™ Connector

BS EN 60598-1 BS EN 60598-2-22 BS EN 60598-2-1 BS EN 61347-1 BS EN 61347-2-13 BS EN 61347-2-7 BS EN 55015 BS EN 61000-3-2 BS EN 61000-3-3



12W IP65 LED Bulkhead - CCT



AVAILABLE FINISHES

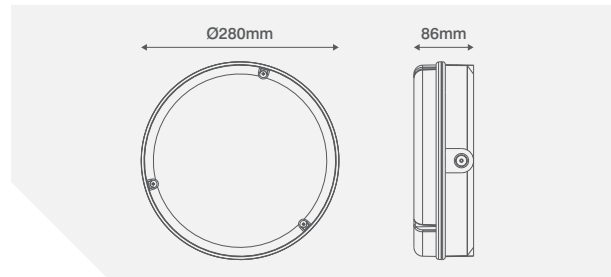


COLOUR TEMPERATURE



CODE	DESCRIPTION
OV9300WH12	Bulkhead - Standard - White
OV9300BK12	Bulkhead - Standard - Black
OV9300WH12MW	Bulkhead - Microwave Sensor - White
OV9300BK12MW	Bulkhead - Microwave Sensor - Black

PRODUCT INFO			
Circuit Wattage (W)	12		
CCT (K)	3000	4000	6000
Lumens (lm)	1200	1300	1200
Lumens (lm) (Corridor)	120	130	120
Efficacy (lm/W)	93	105	95
CRI	>80		
Beam Angle (°)	114		
LED Lifetime (Hrs)	30000		
Voltage (AC)	220-240		
Frequency (Hz)	50/60		
Operating Temp (°C)	-15 to +50		



Complete with 4 knockouts and push-fit terminals

PRODUCT APPROVALS

BS EN 60598-1 BS EN 60598-2-1 BS EN 62471 BS EN 61058-1 BS EN 61347-1 BS EN 61347-2-7 BS EN 62493 BS EN 55015 BS EN 61547 BS EN 61000-3-2



12W IP65 LED Bulkhead - CCT

AVAILABLE FINISHES

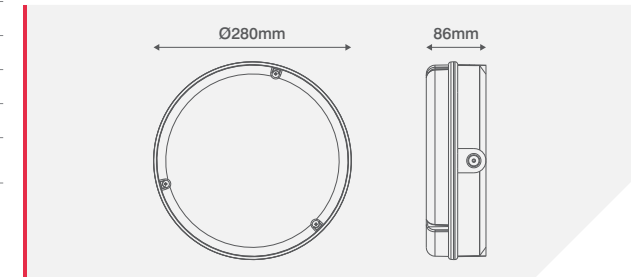


COLOUR TEMPERATURE



PRODUCT INFO			
Circuit Wattage (W)	14		
CCT (K)	3000	4000	6000
Lumens (lm)	1200	1300	1200
Lumens (lm) (Corridor)	120	130	120
Lumens (lm) (Emergency)	122		
Efficacy (lm/W)	85	92	85
CRI	>80		
Beam Angle (°)	114		
LED Lifetime (Hrs)	30000		
Voltage (AC)	220-240		
Frequency (Hz)	50/60		
Operating Temp (°C)	0 to +50		

CODE	DESCRIPTION
OV9300WH12EM	Bulkhead - Emergency - White
OV9300BK12EM	Bulkhead - Emergency - Black
OV9300WH12EMST	Bulkhead - Self-Test Emergency - White
OV9300BK12EMST	Bulkhead - Self-Test Emergency - Black
OV9300WH12MWEM	Bulkhead - Microwave Sensor & Emergency - White
OV9300BK12MWEM	Bulkhead - Microwave Sensor & Emergency - Black
OV9300WH12MWEMST	Bulkhead - Microwave Sensor & Self-Test Emergency - White
OV9300BK12MWEMST	Bulkhead - Microwave Sensor & Self-Test Emergency - Black



PRODUCT APPROVALS

Complete with 4 knockouts and push-fit terminals

BS EN 60598-1 BS EN 60598-2-1 BS EN 62471 BS EN 61058-1 BS EN 61347-1 BS EN 61347-2-7 BS EN 62493 BS EN 55015 BS EN 61547 BS EN 61000-3-2



12W IP65 LED Bulkhead With Photocell - CCT



AVAILABLE FINISHES

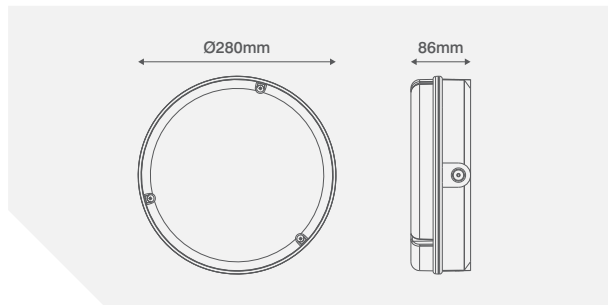


COLOUR TEMPERATURE



CODE	DESCRIPTION
OV9300WH12PC	Bulkhead - Standard - White
OV9300BK12PC	Bulkhead - Standard - Black

PRODUCT INFO			
Circuit Wattage (W)	12		
CCT (K)	3000	4000	6000
Lumens (lm)	1200	1300	1200
Efficacy (lm/W)	93	105	95
CRI	>80		
Beam Angle (°)	114		
LED Lifetime (Hrs)	30000		
Voltage (AC)	220-240		
Frequency (Hz)	50/60		
Operating Temp (°C)	-15 to +50		
Ambient Light On & Off	70 Lux		



Complete with 4 knockouts and push-fit terminals

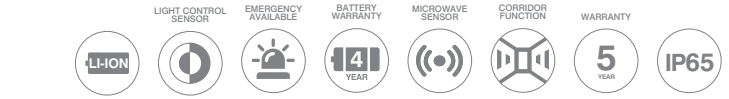
PRODUCT APPROVALS

BS EN 60598-1 BS EN 60598-2-1 BS EN 62471 BS EN 61058-1 BS EN 61347-1 BS EN 61347-2-7 BS EN 62493 BS EN 55015 BS EN 61547 BS EN 61000-3-2



12W IP65 LED Bulkhead With Photocell - CCT

AVAILABLE FINISHES

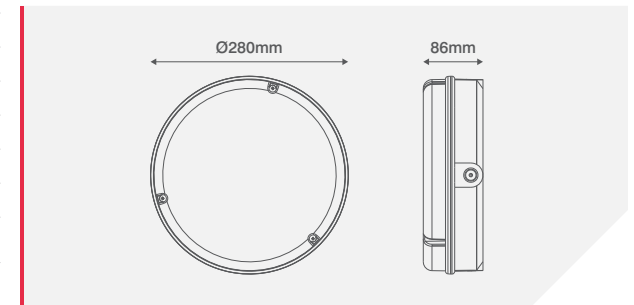


COLOUR TEMPERATURE



PRODUCT INFO			
Circuit Wattage (W)	14		
CCT (K)	3000	4000	6000
Lumens (lm)	1200	1300	1200
Lumens (lm) (Corridor)	120	130	120
Lumens (lm) (Emergency)	122		
Efficacy (lm/W)	85	92	85
CRI	>80		
Beam Angle (°)	114		
LED Lifetime (Hrs)	30000		
Voltage (AC)	220-240		
Frequency (Hz)	50/60		
Operating Temp (°C)	0 to +50		
Ambient Light On & Off	70 Lux		

CODE	DESCRIPTION
OV9300WH12EMPC	Bulkhead - Emergency - White
OV9300BK12EMPC	Bulkhead - Emergency - Black
OV9300WH12MWEMPC	Bulkhead - Microwave Sensor & Emergency - White
OV9300BK12MWEMPC	Bulkhead - Microwave Sensor & Emergency - Black



Complete with 4 knockouts and push-fit terminals

PRODUCT APPROVALS

BS EN 60598-1 BS EN 60598-2-1 BS EN 60598-2-22 BS EN 62471 BS EN 61058-1 BS EN 61347-1 BS EN 61347-2-7 BS EN 62493 BS EN 55015 BS EN 61547



16W IP65 LED Bulkhead - CCT



AVAILABLE FINISHES

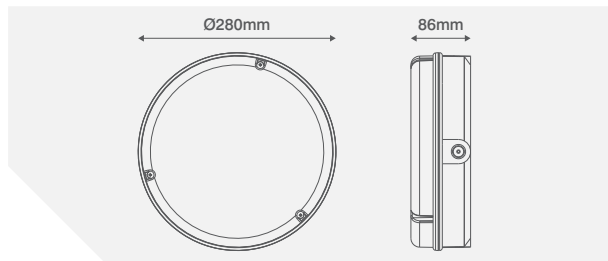


COLOUR TEMPERATURE



CODE	DESCRIPTION
OV9300WH16	Bulkhead - Standard - White
OV9300BK16	Bulkhead - Standard - Black
OV9300WH16MW	Bulkhead - Microwave Sensor - White
OV9300BK16MW	Bulkhead - Microwave Sensor - Black

PRODUCT INFO			
Circuit Wattage (W)	16		
CCT (K)	3000	4000	6000
Lumens (lm)	1500	1650	1550
Lumens (lm) (Corridor)	150	165	155
Efficacy (lm/W)	86	100	93
CRI	>80		
Beam Angle (°)	114		
LED Lifetime (Hrs)	30000		
Voltage (AC)	220-240		
Frequency (Hz)	50/60		
Operating Temp (°C)	-15 to +50		



Complete with 4 knockouts and push-fit terminals

PRODUCT APPROVALS

BS EN 60598-1 BS EN 60598-2-1 BS EN 62471 BS EN 61058-1 BS EN 61347-1 BS EN 61347-2-7 BS EN 62493 BS EN 55015 BS EN 61547 BS EN 61000-3-2



16W IP65 LED Bulkhead - CCT

AVAILABLE FINISHES

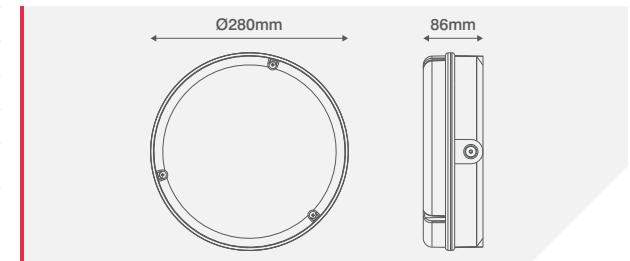


COLOUR TEMPERATURE



PRODUCT INFO			
Circuit Wattage (W)	18		
CCT (K)	3000	4000	6000
Lumens (lm)	1500	1650	1550
Lumens (lm) (Corridor)	150	165	155
Lumens (lm) (Emergency)	122		
Efficacy (lm/W)	83	91	86
CRI	>80		
Beam Angle (°)	114		
LED Lifetime (Hrs)	30000		
Voltage (AC)	220-240		
Frequency (Hz)	50/60		
Operating Temp (°C)	0 to +50		

CODE	DESCRIPTION
OV9300WH16EM	Bulkhead - Emergency - White
OV9300BK16EM	Bulkhead - Emergency - Black
OV9300WH16EMST	Bulkhead - Self-Test Emergency - White
OV9300BK16EMST	Bulkhead - Self-Test Emergency - Black
OV9300WH16MWEM	Bulkhead - Microwave Sensor & Emergency - White
OV9300BK16MWEM	Bulkhead - Microwave Sensor & Emergency - Black
OV9300WH16MWEMST	Bulkhead - Microwave Sensor & Self-Test Emergency - White
OV9300BK16MWEMST	Bulkhead - Microwave Sensor & Self-Test Emergency - Black



Complete with 4 knockouts and push-fit terminals

PRODUCT APPROVALS

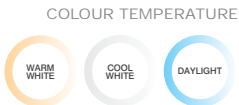
BS EN 60598-1 BS EN 60598-2-1 BS EN 62471 BS EN 61058-1 BS EN 61347-1 BS EN 61347-2-7 BS EN 62493 BS EN 55015 BS EN 61547 BS EN 61000-3-2



16W IP65 LED Bulkhead With Photocell - CCT

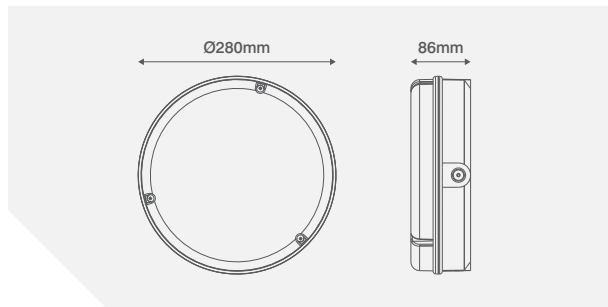


AVAILABLE FINISHES



CODE	DESCRIPTION
OV9300BK16PC	Bulkhead - Standard - Black
OV9300WH16PC	Bulkhead - Standard - White

PRODUCT INFO			
Circuit Wattage (W)	12		
CCT (K)	3000	4000	6000
Lumens (lm)	1500	1650	1550
Efficacy (lm/W)	86	100	93
CRI	>80		
Beam Angle (°)	114		
LED Lifetime (Hrs)	30000		
Voltage (AC)	220-240		
Frequency (Hz)	50/60		
Operating Temp (°C)	-15 to +50		
Ambient Light On & Off	70 Lux		



Complete with 4 knockouts and push-fit terminals

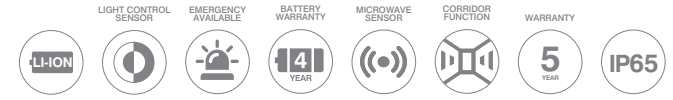
PRODUCT APPROVALS

BS EN 60598-1 BS EN 60598-2-1 BS EN 62471 BS EN 61058-1 BS EN 61347-1 BS EN 61347-2-7 BS EN 62493 BS EN 55015 BS EN 61547 BS EN 61000-3-2



16W IP65 LED Bulkhead With Photocell - CCT

AVAILABLE FINISHES

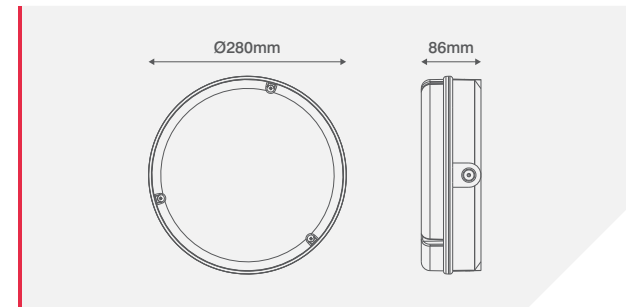


COLOUR TEMPERATURE



PRODUCT INFO			
Circuit Wattage (W)	14		
CCT (K)	3000	4000	6000
Lumens (lm)	1500	1650	1550
Lumens (lm) (Corridor)	150	165	155
Lumens (lm) (Emergency)	122		
Efficacy (lm/W)	83	91	86
CRI	>80		
Beam Angle (°)	114		
LED Lifetime (Hrs)	30000		
Voltage (AC)	220-240		
Frequency (Hz)	50/60		
Operating Temp (°C)	0 to +50		
Ambient Light On & Off	70 Lux		

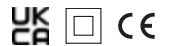
CODE	DESCRIPTION
OV9300BK16EMPC	Bulkhead - Emergency - Black
OV9300WH16EMPC	Bulkhead - Emergency - White
OV9300BK16MWEMPC	Bulkhead - Microwave Sensor & Emergency - Black
OV9300WH16MWEMPC	Bulkhead - Microwave Sensor & Emergency - White



Complete with 4 knockouts and push-fit terminals

PRODUCT APPROVALS

BS EN 60598-1 BS EN 60598-2-1 BS EN 60598-2-22 BS EN 62471 BS EN 61058-1 BS EN 61347-1 BS EN 61347-2-7 BS EN 62493 BS EN 55015 BS EN 61547



EVO ORB DECORATIVE BEZELS

Black finish as standard, Plain Ring also available in Chrome.

IK08

IP65

5 YR
WARRANTY

Decorative



Half Louvre



Eyelid



Plain Ring



Skirts fit flush to wall.



Perfect for coastal environments.

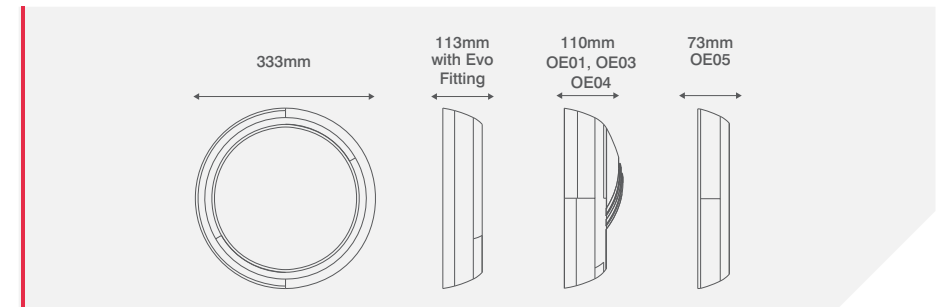


Bezels for Evo Orb

AVAILABLE FINISHES



CODE	DESCRIPTION
OEO1BK	Decorative Bezel - Matt Black
OEO3BK	Half Louvre Bezel - Matt Black
OEO4BK	Eyelid Bezel - Matt Black
OEO5BK	Plain Ring Bezel - Black
OEO5CH	Plain Ring Bezel - Chrome



Suitable for use with the range of Evo Orb bulkheads



Ovia® Lighting

12W IP65 LED Bulkhead - CCT



AVAILABLE FINISHES

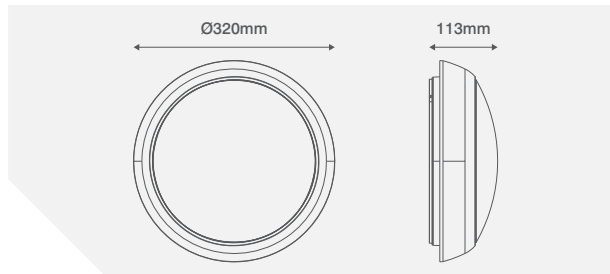


COLOUR TEMPERATURE



CODE	DESCRIPTION
OV9700WH12	Bulkhead - Standard - White
OV9700WH12MW	Bulkhead - Microwave Sensor - White

PRODUCT INFO			
Circuit Wattage (W)	12		
CCT (K)	3000	4000	6000
Lumens (lm)	950	1100	1050
Lumens (lm) (Corridor)	95	110	105
Efficacy (lm/W)	79	91	87
CRI	>80		
Beam Angle (°)	107		
LED Lifetime (Hrs)	30000		
Voltage (AC)	220-240		
Frequency (Hz)	50/60		
Operating Temp (°C)	-15 to +50		



Complete push-fit terminals

PRODUCT APPROVALS

BS EN 60598-1 BS EN 60598-2-1 BS EN 62471 BS EN 61058-1 BS EN 61347-1 BS EN 61347-2-7 BS EN 62493 BS EN 55015 BS EN 61547 BS EN 61000-3-2



12W IP65 LED Bulkhead - CCT

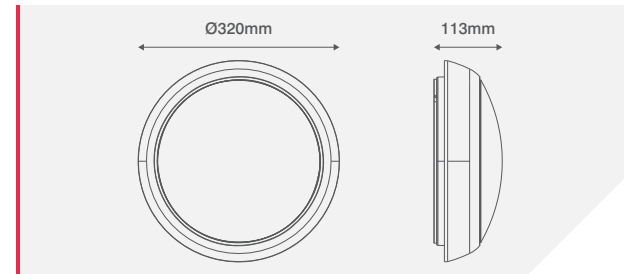
AVAILABLE FINISHES



COLOUR TEMPERATURE



PRODUCT INFO				CODE	DESCRIPTION
Circuit Wattage (W)	14			OV9700WH12EM	Bulkhead - Emergency - White
CCT (K)	3000	4000	6000	OV9700WH12EMMW	Bulkhead - Microwave Sensor & Emergency - White
Lumens (lm)	950	1100	1050	OV9700WH12EMST	Bulkhead - Self-Test Emergency - White
Lumens (lm) (Corridor)	95	110	105	OV9700WH12EMMWST	Bulkhead - Microwave Sensor & Self-Test Emergency - White
Lumens (lm) (Emergency)	98				
Efficacy (lm/W)	67	78	75		
CRI	>80				
Beam Angle (°)	107				
LED Lifetime (Hrs)	30000				
Voltage (AC)	220-240				
Frequency (Hz)	50/60				
Operating Temp (°C)	0 to +50				



Complete push-fit terminals

PRODUCT APPROVALS

BS EN 60598-1 BS EN 60598-2-1 BS EN 60598-2-22 BS EN 62471 BS EN 61058-1 BS EN 61347-1 BS EN 61347-2-7 BS EN 62493 BS EN 55015 BS EN 61547



16W IP65 LED Bulkhead - CCT



AVAILABLE FINISHES

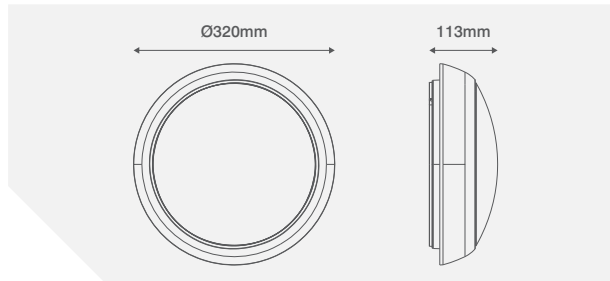


COLOUR TEMPERATURE



CODE	DESCRIPTION
OV9700WH16	Bulkhead - Standard - White
OV9700WH16MW	Bulkhead - Microwave Sensor - White

PRODUCT INFO	
Circuit Wattage (W)	16
CCT (K)	3000 4000 6000
Lumens (lm)	1250 1500 1400
Lumens (lm) (Corridor)	125 150 140
Efficacy (lm/W)	78 93 87
CRI	>80
Beam Angle (°)	107
LED Lifetime (Hrs)	30000
Voltage (AC)	220-240
Frequency (Hz)	50/60
Operating Temp (°C)	-15 to +50



Complete push-fit terminals

PRODUCT APPROVALS

BS EN 60598-1 BS EN 60598-2-1 BS EN 62471 BS EN 61058-1 BS EN 61347-1 BS EN 61347-2-7 BS EN 62493 BS EN 55015 BS EN 61547 BS EN 61000-3-2



16W IP65 LED Bulkhead - CCT

AVAILABLE FINISHES

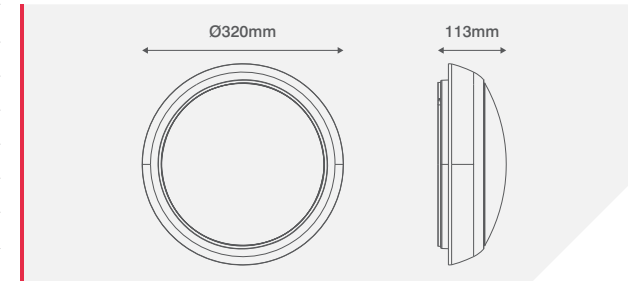


COLOUR TEMPERATURE



PRODUCT INFO	
Circuit Wattage (W)	18
CCT (K)	3000 4000 6000
Lumens (lm)	1250 1500 1400
Lumens (lm) (Corridor)	125 150 140
Lumens (lm) (Emergency)	98
Efficacy (lm/W)	69 83 87
CRI	>80
Beam Angle (°)	107
LED Lifetime (Hrs)	30000
Voltage (AC)	220-240
Frequency (Hz)	50/60
Operating Temp (°C)	0 to +50

CODE	DESCRIPTION
OV9700WH16EM	Bulkhead - Emergency - White
OV9700WH16EMMW	Bulkhead - Microwave Sensor & Emergency - White
OV9700WH16EMST	Bulkhead - Self-Test Emergency - White
OV9700WH16EMMWST	Bulkhead - Microwave Sensor & Self-Test Emergency - White



PRODUCT APPROVALS

Complete push-fit terminals

BS EN 60598-1 BS EN 60598-2-1 BS EN 60598-2-22 BS EN 62471 BS EN 61058-1 BS EN 61347-1 BS EN 61347-2-7 BS EN 62493 BS EN 55015 BS EN 61547



20W IP54 LED Bulkhead - CCT



AVAILABLE FINISHES

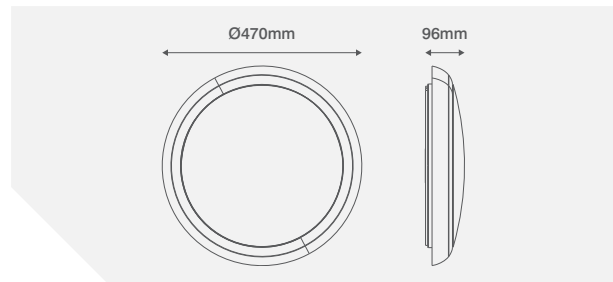


COLOUR TEMPERATURE



CODE	DESCRIPTION
OV9800WH	Bulkhead - Standard - White
OV9800WHMW	Bulkhead - Microwave Sensor - White

PRODUCT INFO			
Circuit Wattage (W)	20		
CCT (K)	3000	4000	6000
Lumens (lm)	1700	1900	1950
Lumens (lm) (Corridor)	170	190	195
Efficacy (lm/W)	85	95	97
CRI	>80		
Beam Angle (°)	110		
LED Lifetime (Hrs)	30000		
Voltage (AC)	220-240		
Frequency (Hz)	50/60		
Operating Temp (°C)	-15 to +50		



Complete push-fit terminals

PRODUCT APPROVALS

BS EN 60598-1 BS EN 60598-2-1 BS EN 62471 BS EN 61058-1 BS EN 61347-1 BS EN 61347-2-7 BS EN 62493 BS EN 55015 BS EN 61547 BS EN 61000-3-2



20W IP54 LED Bulkhead - CCT

AVAILABLE FINISHES

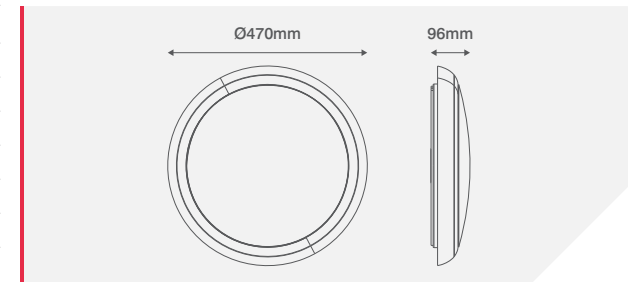


COLOUR TEMPERATURE



PRODUCT INFO			
Circuit Wattage (W)	22		
CCT (K)	3000	4000	6000
Lumens (lm)	1700	1900	1950
Lumens (lm) (Corridor)	170	190	195
Lumens (lm) (Emergency)	98		
Efficacy (lm/W)	77	86	88
CRI	>80		
Beam Angle (°)	110		
LED Lifetime (Hrs)	30000		
Voltage (AC)	220-240		
Frequency (Hz)	50/60		
Operating Temp (°C)	0 to +50		

CODE	DESCRIPTION
OV9800WHEM	Bulkhead - Emergency - White
OV9800WHEMMW	Bulkhead - Microwave Sensor & Emergency - White
OV9800WHEMST	Bulkhead - Self-Test Emergency - White
OV9800WHEMMWST	Bulkhead - Microwave Sensor & Self-Test Emergency - White



Complete push-fit terminals

PRODUCT APPROVALS

BS EN 60598-1 BS EN 60598-2-1 BS EN 60598-2-2 BS EN 62471 BS EN 61058-1 BS EN 61347-1 BS EN 61347-2-7 BS EN 62493 BS EN 55015 BS EN 61547



20W IP54 Dimmable LED Bulkhead - CCT



AVAILABLE FINISHES

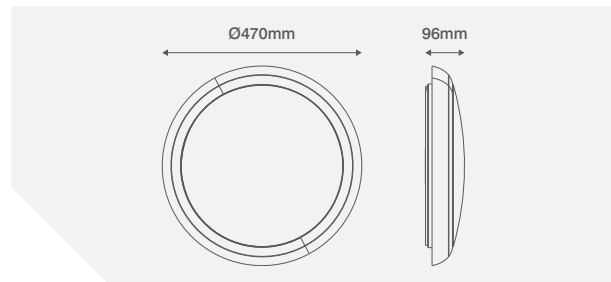


COLOUR TEMPERATURE



CODE	DESCRIPTION
OV9800WHDA	Bulkhead - Standard With DALI - White
OV9800WHSD	Bulkhead - Standard With Switch Dim - White

PRODUCT INFO			
Circuit Wattage (W)	20		
CCT (K)	3000	4000	6000
Lumens (lm)	1700	1900	1950
Efficacy (lm/W)	85	95	97
CRI	>80		
Beam Angle (°)	110		
LED Lifetime (Hrs)	30000		
Voltage (AC)	220-240		
Frequency (Hz)	50/60		
Operating Temp (°C)	-15 to +50		



Complete push-fit terminals

PRODUCT APPROVALS

BS EN 60598-1; BS EN IEC 60598-2-1; BS EN 62471; BS EN 61058-1; BS EN 61347-1; BS EN 61347-2-7; BS EN 62493; BS EN 55015; BS EN 61547; BS EN 61000-3-2 & BS EN 61000-3-3



20W IP54 Dimmable LED Bulkhead - CCT

AVAILABLE FINISHES

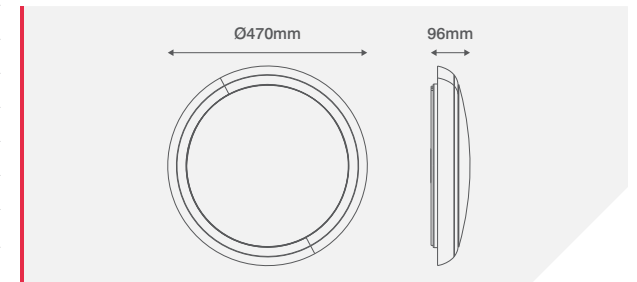


COLOUR TEMPERATURE



PRODUCT INFO			
Circuit Wattage (W)	22		
CCT (K)	3000	4000	6000
Lumens (lm)	1700	1900	1950
Lumens (lm) (Emergency)	98		
Efficacy (lm/W)	77	86	88
CRI	>80		
Beam Angle (°)	110		
LED Lifetime (Hrs)	30000		
Voltage (AC)	220-240		
Frequency (Hz)	50/60		
Operating Temp (°C)	0 to +50		

CODE	DESCRIPTION
OV9800WHEMDA	Bulkhead - Emergency & DALI - White
OV9800WHEMSD	Bulkhead - Emergency & Switch Dim - White



PRODUCT APPROVALS

Complete push-fit terminals

BS EN 60598-1; BS EN 60598-2-1; BS EN 60598-2-22; BS EN 62471; BS EN 61058-1; BS EN 61347-1; BS EN 61347-2-7; BS EN 62493; BS EN 55015; BS EN 61547; BS EN 61000-3-2 & BS EN 61000-3-3



10W IP65 LED Bulkhead - CCT



AVAILABLE FINISHES

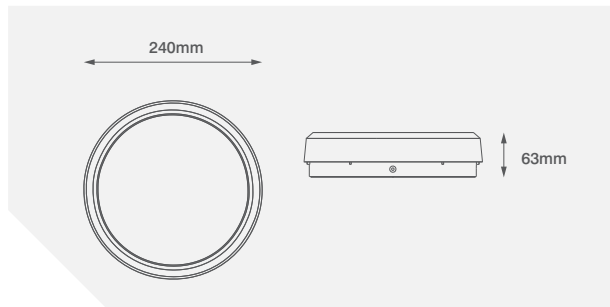


COLOUR TEMPERATURE



CODE	DESCRIPTION
OV9110010	Bulkhead - Standard - White
OV9110010MW	Bulkhead - Microwave Sensor - White

PRODUCT INFO			
Circuit Wattage (W)	10		
CCT (K)	3000	4000	6000
Lumens (lm)	850	930	900
Lumens (lm) (Corridor)	850	930	900
Efficacy (lm/W)	85	93	90
CRI	>80		
Beam Angle (°)	120		
LED Lifetime (Hrs)	30000		
Voltage (AC)	220-240		
Frequency (Hz)	50/60		
Operating Temp (°C)	-15 to +50		



Complete with push-fit terminals

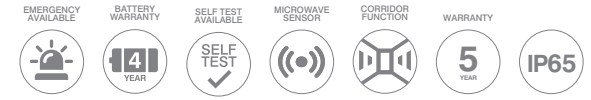
PRODUCT APPROVALS

BS EN 60598-1 BS EN 60598-2-1 BS EN 62471 BS EN 61058-1 BS EN 61347-1 BS EN 61347-2-7 BS EN 62493 BS EN 55015 BS EN 61547 BS EN 61000-3-2 BS EN 61000-3-3



10W IP65 LED Bulkhead - CCT

AVAILABLE FINISHES

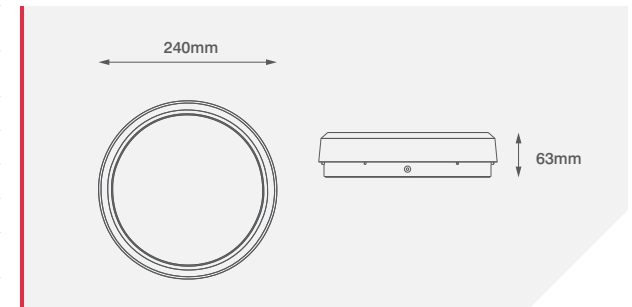


COLOUR TEMPERATURE



PRODUCT INFO			
Circuit Wattage (W)	12		
CCT (K)	3000	4000	6000
Lumens (lm)	850	930	900
Lumens (lm) (Corridor)	850	930	900
Lumens (lm) (Emergency)	90		
Efficacy (lm/W)	70	77	75
CRI	>80		
Beam Angle (°)	120		
LED Lifetime (Hrs)	30000		
Voltage (AC)	220-240		
Frequency (Hz)	50/60		
Operating Temp (°C)	0 to +50		

CODE	DESCRIPTION
OV9110010EM	Bulkhead - Emergency - White
OV9110010MWEM	Bulkhead - Microwave Sensor & Emergency - White
OV9110010EMST	Bulkhead - Self-Test Emergency - White
OV9110010MWEMST	Bulkhead - Microwave Sensor & Self-Test Emergency - White



Complete with push-fit terminals

PRODUCT APPROVALS

BS EN 60598-1 BS EN 60598-2-1 BS EN 60598-2-22 BS EN 62471 BS EN 61058-1 BS EN 61347-1 BS EN 61347-2-7 BS EN 62493 BS EN 55015 BS EN 61547 BS EN 61000-3-2 BS EN 61000-3-3



16W IP65 LED Bulkhead - CCT



AVAILABLE FINISHES

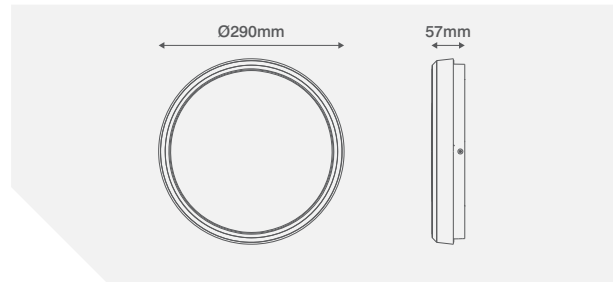


COLOUR TEMPERATURE



CODE	DESCRIPTION
OV9110016	Bulkhead - Standard - White
OV9110016MW	Bulkhead - Microwave Sensor - White

PRODUCT INFO	
Circuit Wattage (W)	16
CCT (K)	3000 4000 6000
Lumens (lm)	1440 1500 1480
Lumens (lm) (Corridor)	144 150 148
Efficacy (lm/W)	90 93 92
CRI	>80
Beam Angle (°)	112
LED Lifetime (Hrs)	30000
Voltage (AC)	220-240
Frequency (Hz)	50/60
Operating Temp (°C)	-15 to +50



Complete with push-fit terminals

PRODUCT APPROVALS

BS EN 60598-1 BS EN 60598-2-1 BS EN 62471 BS EN 61058-1 BS EN 61347-1 BS EN 61347-2-7 BS EN 62493 BS EN 55015 BS EN 61547 BS EN 61000-3-2



16W IP65 LED Bulkhead - CCT

AVAILABLE FINISHES

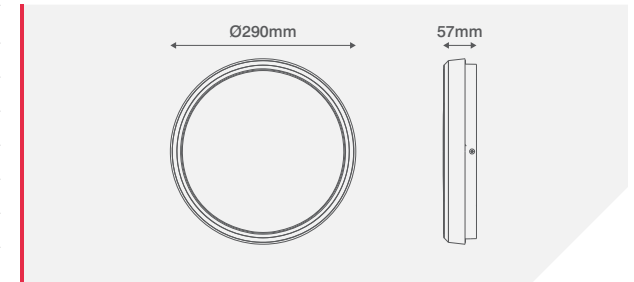


COLOUR TEMPERATURE



PRODUCT INFO	
Circuit Wattage (W)	18
CCT (K)	3000 4000 6000
Lumens (lm)	1440 1500 1480
Lumens (lm) (Corridor)	144 150 148
Lumens (lm) (Emergency)	95
Efficacy (lm/W)	80 83 82
CRI	>80
Beam Angle (°)	112
LED Lifetime (Hrs)	30000
Voltage (AC)	220-240
Frequency (Hz)	50/60
Operating Temp (°C)	0 to +50

CODE	DESCRIPTION
OV9110016EM	Bulkhead - Emergency - White
OV9110016MWEM	Bulkhead - Microwave Sensor & Emergency - White
OV9110016EMST	Bulkhead - Self-Test Emergency - White
OV9110016MWEMST	Bulkhead - Microwave Sensor & Self-Test Emergency - White



Complete with push-fit terminals

PRODUCT APPROVALS

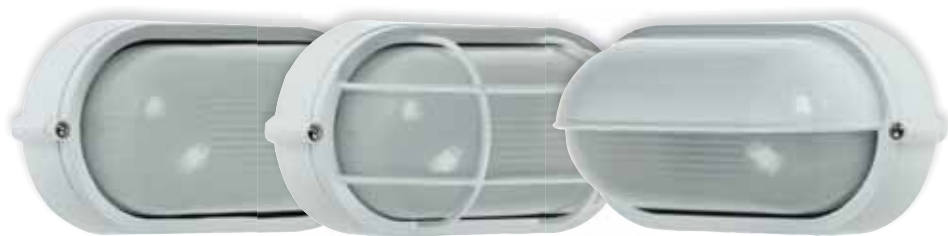
BS EN 60598-1 BS EN 60598-2-1 BS EN 60598-2-2 BS EN 62471 BS EN 61058-1 BS EN 61347-1 BS EN 61347-2-7 BS EN 62493 BS EN 55015 BS EN 61547



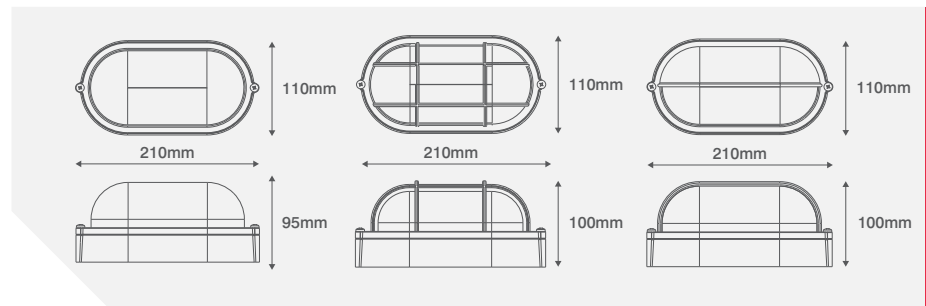
IP54 Oval Bulkhead - E27 60W Max.



AVAILABLE FINISHES



CODE	DESCRIPTION	PRODUCT INFO	
OVOL400BK	E27 Standard Bulkhead - Black	Wattage (W)	60
OVOL400WH	E27 Standard Bulkhead - White	Voltage (AC)	220-240
OVOL410BK	E27 Bulkhead With Guard - Black	Lamp Holder Type	E27 / ES
OVOL410WH	E27 Bulkhead With Guard - White		
OVOL420BK	E27 Bulkhead With Eyelid - Black		
OVOL420WH	E27 Bulkhead With Eyelid - White		



PRODUCT APPROVALS

BS EN 60598-1 BS EN 60598-2-1

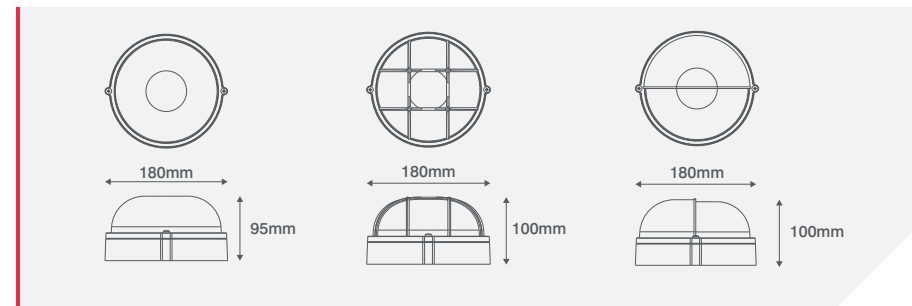


IP54 Round Bulkhead - E27 60W Max.

AVAILABLE FINISHES



PRODUCT INFO	CODE	DESCRIPTION
Wattage (W)	60	OVOL405BK
Voltage (AC)	220-240	OVOL405WH
Lamp Holder Type	E27 / ES	OVOL415BK
		OVOL415WH
		OVOL425BK
		OVOL425WH



PRODUCT APPROVALS

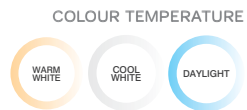
BS EN 60598-1 BS EN 60598-2-1



15W IP65 LED Oval Bulkhead - CCT

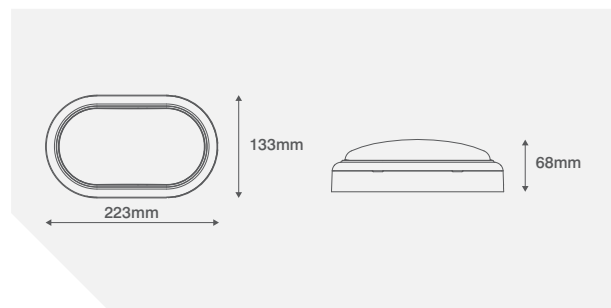


AVAILABLE FINISHES



CODE	DESCRIPTION
OV15B	Oval Bulkhead - Black
OV15W	Oval Bulkhead - White

PRODUCT INFO			
Circuit Wattage (W)	15		
CCT (K)	3000	4000	6500
Lumens (lm)	1500	1650	1500
Efficacy (lm/W)	100	110	100
CRI	>80		
Beam Angle (°)	110		
LED Lifetime (Hrs)	25000		
Voltage (AC)	220-240		
Frequency (Hz)	50		
Operating Temp (°C)	-25 to +35		



3 x 10mm Side Cable Entries

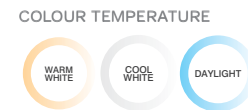
PRODUCT APPROVALS

BS EN 60598-1; BS EN 60598-2-1; BS EN 55015; BS EN 61547; BS EN 61000-3-2; BS EN 61000-3-3



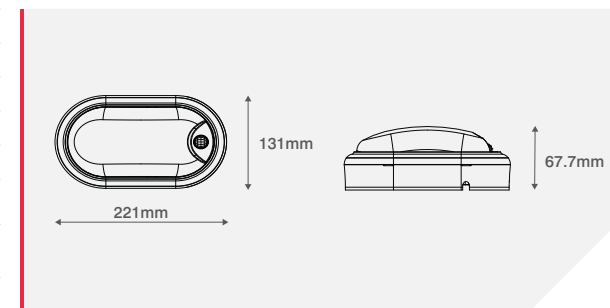
15W IP54 LED Oval Bulkhead With PIR - CCT

AVAILABLE FINISHES



PRODUCT INFO			
Circuit Wattage (W)	15		
CCT (K)	3000	4000	6500
Lumens (lm)	1500	1650	1500
Detection Distance (M)	6		
Efficacy (lm/W)	100	110	100
CRI	>80		
Beam Angle (°)	110		
LED Lifetime (Hrs)	25000		
Voltage (AC)	220-240		
Frequency (Hz)	50		
Operating Temp (°C)	-25 to +35		
Daylight Sensitivity (lux)	5		

CODE	DESCRIPTION
OV15BPIR	Oval Bulkhead - PIR - Black
OV15WPIR	Oval Bulkhead - PIR - White



3 x 10mm Side Cable Entries

PRODUCT APPROVALS

BS EN 60598-1; BS EN 60598-2-1; BS EN 55015; BS EN 61547; BS EN 61000-3-2; BS EN 61000-3-3



5W IP65 LED Bulkhead - CCT



AVAILABLE FINISHES

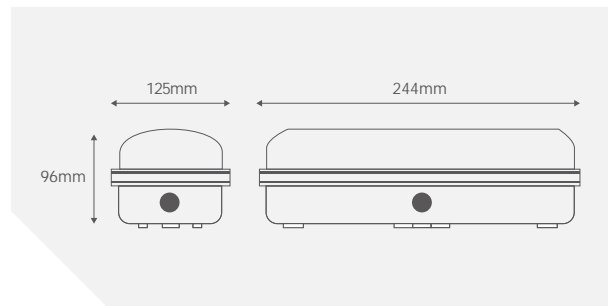


COLOUR TEMPERATURE



CODE	DESCRIPTION
OR5	Bulkhead - Standard - Black
OR5-PC	Bulkhead - Photozell - Black
OR5BT	5W REX Bulkhead Black Trim
OR5RD	5W REX Bulkhead Red Diffuser

PRODUCT INFO			
Circuit Wattage (W)	5		
CCT (K)	3000	4000	6500
Lumens (lm)	400	450	420
Efficacy (lm/W)	90	105	95
CRI	80		
Beam Angle (°)	120		
LED Lifetime (Hrs)	54000		
Voltage (AC)	220-240		
Frequency (Hz)	50/60		
Operating Temp (°C)	-20 to +40		



Complete with 4 knockouts and push-fit terminals

PRODUCT APPROVALS

BS EN 60598-1; BS EN IEC 60598-2-1; BS EN 62471; BS EN 61058-1; BS EN 61347-1; BS EN 61347-2-7; BS EN 62493; BS EN 55015; BS EN 61547; BS EN 61000-3-2 & BS EN 61000-3-3



5W IP65 LED Bulkhead - CCT

AVAILABLE FINISHES

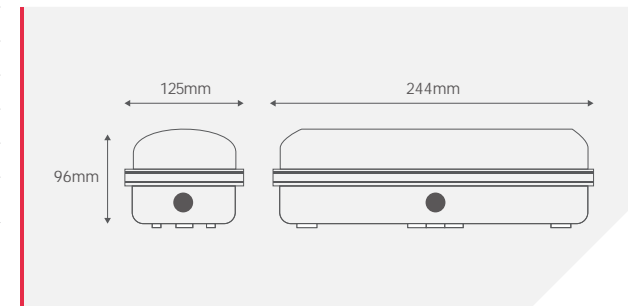


COLOUR TEMPERATURE



PRODUCT INFO			
Circuit Wattage (W)	7.5		
CCT (K)	3000	4000	6500
Lumens (lm)	440	490	480
Emergency Lumens (lm)	265		
Efficacy (lm/W)	59	67	65
CRI	80		
Beam Angle (°)	110		
LED Lifetime (Hrs)	54000		
Voltage (AC)	220-240		
Frequency (Hz)	50/60		
Operating Temp (°C)	0 to +40		

CODE	DESCRIPTION
OR5-E	Bulkhead - Emergency - Black
OR5BT	5W REX Bulkhead Black Trim
OR5RD	5W REX Bulkhead Red Diffuser



PRODUCT APPROVALS

Complete with 4 knockouts and push-fit terminals

BS EN 60598-1; BS EN 60598-2-1; BS EN 60598-2-22; BS EN 62471; BS EN 61058-1; BS EN 61347-1; BS EN 61347-2-7; BS EN 62493; BS EN 55015; BS EN 61547; BS EN 61000-3-2 & BS EN 61000-3-3



INCEPTOR[®] RIO



Multi-Current Linear Batten LED Luminaires

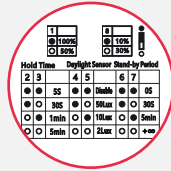


2 Sizes

Slim design, available in 2 lengths
1200mm (4ft) & 1500mm (5ft)

Corridor Function

Save Energy and money with
the Corridor Versions of the Rio.
The facility offers 10% and 30%
settings via DIP switches.



CCT Switch

All models include a CCT switch allowing the product to change colour
temperature between Warm White 3000K Cool White 4000K and Daylight 6000K

Push Fit / Piano Key Terminal Block

4 pole fast fit / piano key terminal block with cord grip installed.



Multicurrent Driver

Standard and Emergency versions can change Wattage
between 18W, 22W, 27W, 31W
Microwave versions can change Wattage between
23W, 29W, 34W, 40W.



Steel Base

Robust base with BESA, Conduit box,
and suspension cable mounting capabilities.

Cable management
Tidy and neat internal cables



End Caps with
quarter turn locks
Quick release for the diffuser

Multi Current Driver

Change lumen and wattage to suit each
individual application

Emergency Battery Back up

Ensures there is lighting in case of emergency

Push Fit Terminals

Providing hassle free and quick installations

Microwave Sensor (If applicable)

Energy Saving option with the
motion detection sensor

LED Strips

CCT Switch
Allows colour temperature
change of the LEDs

UGR <19 Diffuser

Reduces glare and provides more
comfort to the human eye.



Microwave Sensor
Version Available



Emergency
Version Available



100,000 Hours
Lifetime



Corridor Function
Version

18-31W Multi-Current Linear Batten LED Luminaires - 1200mm (4ft)



AVAILABLE FINISHES



COLOUR TEMPERATURE



CODE DESCRIPTION

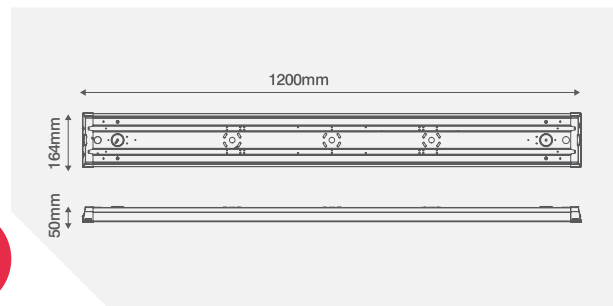
OXR431 18-31W 1200mm Linear Batten LED Luminaire

PRODUCT INFO

CCT (K)	3000	4000	6000
Circuit Wattage (W)	18/22/27/31		
18W Lumens (lm)	2160	2250	2160
22W Lumens (lm)	2640	2750	2640
27W Lumens (lm)	3240	3370	3240
31W Lumens (lm)	3700	3870	3700
Efficacy (lm/W)	120	125	120
CRI	80		
Beam Angle (°)	90		
LED Lifetime (Hrs)	100000		
Voltage (AC)	220-240		
Frequency (Hz)	50/60		
Dimmable	No		
Operating Temp (°C)	-20 to +40		

COMPATIBLE PRODUCTS

OSUSY15 2 x Y Shaped Suspension Cable for Linear Luminaires See page 276



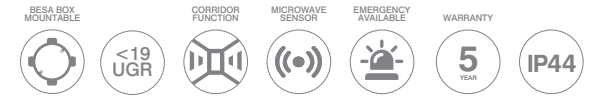
PRODUCT APPROVALS

BS EN 60598-1; BS EN IEC 60598-2-1; BS EN 62471; BS EN 61058-1; BS EN 61347-1; BS EN 61347-2-7; BS EN 62493; BS EN 55015; BS EN 61547; BS EN 61000-3-2 & BS EN 61000-3-3



18-31W Multi-Current Linear Batten LED Luminaires - 1200mm (4ft)

AVAILABLE FINISHES



COLOUR TEMPERATURE



PRODUCT INFO

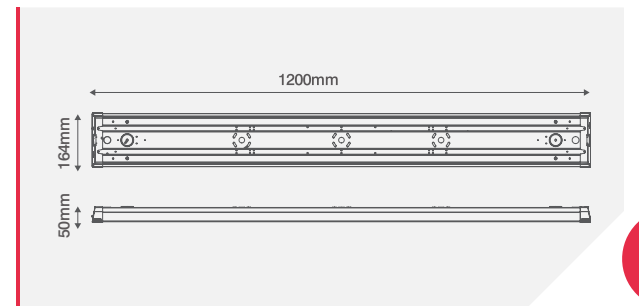
CCT (K)	3000	4000	6000
Circuit Wattage (W)	18/22/27/31		
18W Lumens (lm)	1980	2070	1980
22W Lumens (lm)	2420	2500	2400
27W Lumens (lm)	2970	3100	2970
31W Lumens (lm)	3400	3560	3400
Lumens (lm) (Emergency)	250		
Efficacy (lm/W)	110	115	110
CRI	80		
Beam Angle (°)	90		
LED Lifetime (Hrs)	100000		
Voltage (AC)	220-240		
Frequency (Hz)	50/60		
Dimmable	Yes Corridor Function		
Operating Temp (°C)	0 to +40		

CODE DESCRIPTION

OXR431-M 18-31W 1200mm Linear Batten LED Luminaire - Microwave Sensor
 OXR431-E 18-31W 1200mm Linear Batten LED Luminaire - Emergency
 OXR431-ME 18-31W 1200mm Linear Batten LED Luminaire - Microwave Sensor & Emergency

COMPATIBLE PRODUCTS

OSUSY15 2 x Y Shaped Suspension Cable for Linear Luminaires See page 276



PRODUCT APPROVALS

BS EN 60598-1; BS EN IEC 60598-2-1; BS EN 62471; BS EN 61058-1; BS EN 61347-1; BS EN 61347-2-7; BS EN 62493; BS EN 55015; BS EN 61547; BS EN 61000-3-2 & BS EN 61000-3-3



UTILITY

UTILITY



23-40W Multi-Current Linear Batten LED Luminaires - 1500mm (5ft)



AVAILABLE FINISHES



COLOUR TEMPERATURE



CODE DESCRIPTION

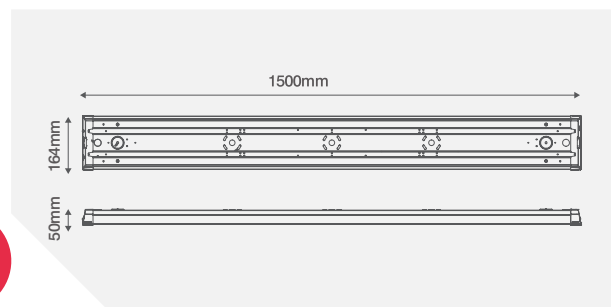
OXR540 23-40W 1500mm Linear Batten LED Luminaire

PRODUCT INFO

CCT (K)	3000	4000	6000
Circuit Wattage (W)	23/29/34/40		
23W Lumens (lm)	2760	2875	2760
29W Lumens (lm)	3480	3625	3480
34W Lumens (lm)	4080	4250	4080
40W Lumens (lm)	4800	5000	4800
Efficacy (lm/W)	120	125	120
CRI	80		
Beam Angle (°)	90		
LED Lifetime (Hrs)	100000		
Voltage (AC)	220-240		
Frequency (Hz)	50/60		
Dimmable	No		
Operating Temp (°C)	-20 to +40		

COMPATIBLE PRODUCTS

OSUSY15 2 x Y Shaped Suspension Cable for Linear Luminaires See page 276



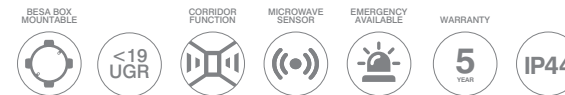
PRODUCT APPROVALS

BS EN 60598-1; BS EN IEC 60598-2-1; BS EN 62471; BS EN 61058-1; BS EN 61347-1; BS EN 61347-2-7; BS EN 62493; BS EN 55015; BS EN 61547; BS EN 61000-3-2 & BS EN 61000-3-3



23-40W Multi-Current Linear Batten LED Luminaires - 1500mm (5ft)

AVAILABLE FINISHES



COLOUR TEMPERATURE



PRODUCT INFO

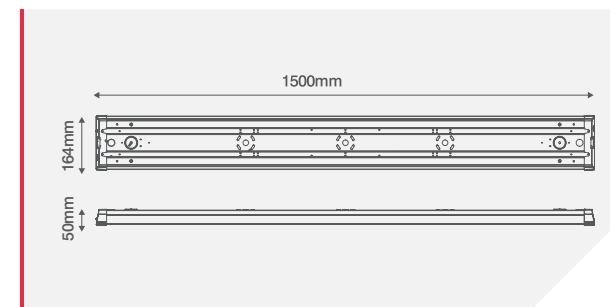
CCT (K)	3000	4000	6000
Circuit Wattage (W)	23/29/34/40		
23W Lumens (lm)	2530	2645	2530
29W Lumens (lm)	3190	3300	3190
34W Lumens (lm)	3740	3900	3740
40W Lumens (lm)	4400	4600	4400
Lumens (lm) (Emergency)	250		
Efficacy (lm/W)	110	115	110
CRI	80		
Beam Angle (°)	90		
LED Lifetime (Hrs)	100000		
Voltage (AC)	220-240		
Frequency (Hz)	50/60		
Dimmable	Yes Corridor Function		
Operating Temp (°C)	0 to +40		

CODE DESCRIPTION

OXR540-M 23-40W 1500mm Linear Batten LED Luminaire - Microwave Sensor
 OXR540-E 23-40W 1500mm Linear Batten LED Luminaire - Emergency
 OXR540-ME 23-40W 1500mm Linear Batten LED Luminaire - Microwave Sensor & Emergency

COMPATIBLE PRODUCTS

OSUSY15 2 x Y Shaped Suspension Cable for Linear Luminaires See page 276



PRODUCT APPROVALS

BS EN 60598-1; BS EN IEC 60598-2-1; BS EN 62471; BS EN 61058-1; BS EN 61347-1; BS EN 61347-2-7; BS EN 62493; BS EN 55015; BS EN 61547; BS EN 61000-3-2 & BS EN 61000-3-3



INCEPTOR® A-LITE



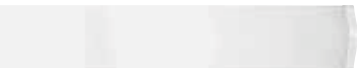
College LED Linear Batten

Created for the education market, the new LED Linear Batten is available in Emergency and Microwave sensor versions. 600mm fixing centres across the full range allows retro fit of many batten brands.

2 lengths



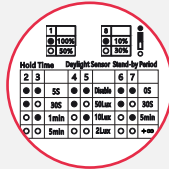
1200mm (4ft)



1500mm (5ft)

Corridor Function

Save Energy and money with the Corridor Versions of the A-Lite. The facility offers 10% and 30% settings via DIP switches.



CCT Switch

All models include a CCT switch allowing the product to change colour temperature between Warm White 3000K Cool White 4000K and Daylight 6000K



Lithium Battery

Favoured for its safety, economy and efficiency our Emergency versions come supplied with Lithium batteries. Lithium batteries benefit from being more energy efficient and have a longer life making them perfect for our Emergency products within this range.

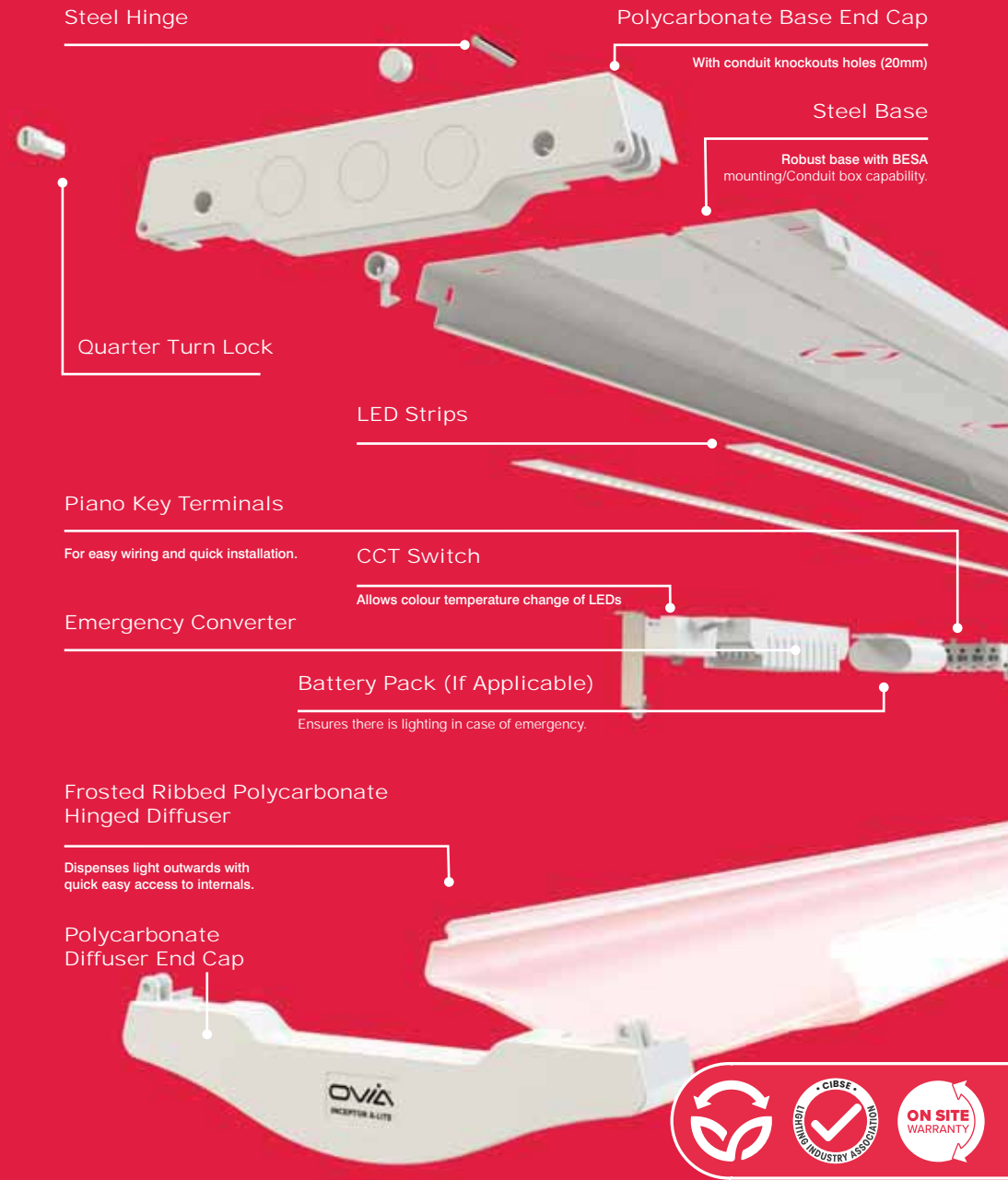
Hinged Diffuser

Quarter turn locks paired with a hinged diffuser allows for quick and easy installation.



Push Fit / Piano Key Terminal Block

Fast, simple and clear installation.



Microwave Sensor Version Available



Emergency Version Available



50,000 Hours Lifetime



Corridor Function Version

17W Linear LED Battens - CCT - 1200mm (4ft)



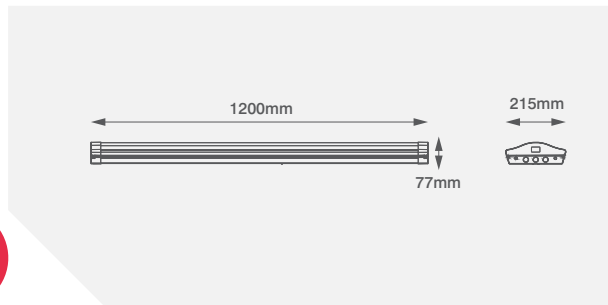
AVAILABLE FINISHES



COLOUR TEMPERATURE



CODE	DESCRIPTION
OV841217CTA	1200mm LED Batten
OV841217MWCTA	1200mm LED Batten With Microwave Sensor Having Corridor Function
COMPATIBLE PRODUCTS	
OVEMB7418LI	7.4V 1800mAh LiFePo4 Battery – Serial See page 276



Diffuser Hinged With Base
Microwave Sensor offers Corridor Function facility

PRODUCT INFO			
CCT (K)	3000	4000	6000
Lumens (lm)	1800	2000	1900
Efficacy (lm/W)	105	120	115
Wattage (W)	17		
CRI	>80		
Beam Angle (°)	120		
LED Lifetime (Hrs)	50000		
Voltage (AC)	220-240		
Frequency (Hz)	50		
Dimmable	No		
Operating Temp (°C)	-20 to +60		
Corridor Function	10% & 30%		

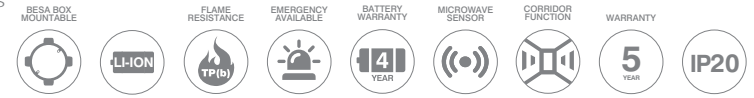
PRODUCT APPROVALS

BS EN 60598-1 BS EN 60598-2-1 BS EN 62471 BS EN 61058-1 BS EN 61347-1 BS EN 61347-2-7 BS EN 62493 BS EN 55015 BS EN 61547 BS EN 61000-3-2



17W Linear LED Battens - CCT - 1200mm (4ft)

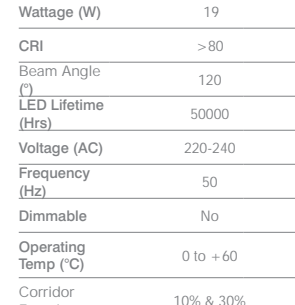
AVAILABLE FINISHES



COLOUR TEMPERATURE



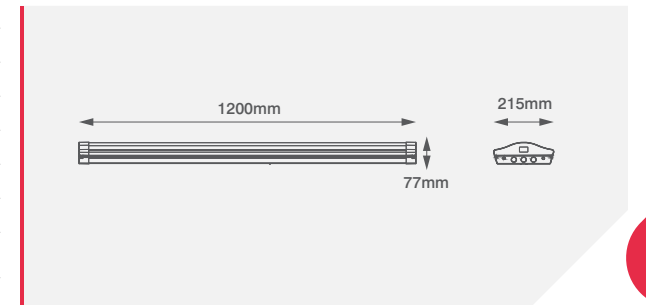
PRODUCT INFO			
CCT (K)	3000	4000	6000
Lumens (lm)	1800	2000	1900
Lumens (lm) (Emergency)	240		
Efficacy (lm/W)	100	110	105
Wattage (W)	19		
CRI	>80		
Beam Angle (°)	120		
LED Lifetime (Hrs)	50000		
Voltage (AC)	220-240		
Frequency (Hz)	50		
Dimmable	No		
Operating Temp (°C)	0 to +60		
Corridor Function	10% & 30%		



PRODUCT APPROVALS

BS EN 60598-1 BS EN 60598-2-1 BS EN 62471 BS EN 61058-1 BS EN 61347-1 BS EN 61347-2-7 BS EN 62493 BS EN 55015 BS EN 61547 BS EN 61000-3-2

CODE	DESCRIPTION
OV841217EMCTA	1200mm LED Batten With Emergency
OV841217MWEMCTA	1200mm LED Batten With Microwave Sensor Having Corridor Function & Emergency
COMPATIBLE PRODUCTS	
OVEMB7418LI	7.4V 1800mAh LiFePo4 Battery – Serial See page 276



Diffuser Hinged With Base
Microwave Sensor offers Corridor Function facility



UTILITY

UTILITY



17W Dimmable Linear LED Battens - CCT - 1200mm (4ft)



AVAILABLE FINISHES



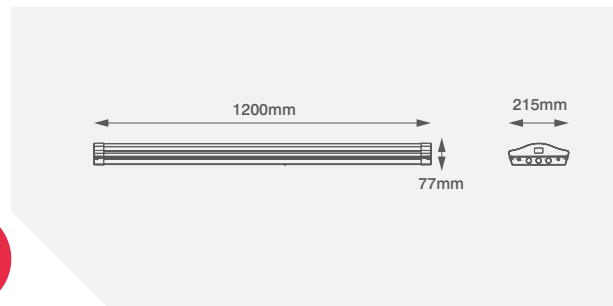
COLOUR TEMPERATURE



CODE	DESCRIPTION
OV841217CTADA	1200mm LED Batten With DALI
OV841217CTASD	1200mm LED Batten With Switch Dim

COMPATIBLE PRODUCTS		
OVEMB7418LI	7.4V 1800mAh LiFePo4 Battery - Serial	See page 276

PRODUCT INFO			
CCT (K)	3000	4000	6000
Lumens (lm)	1800	2000	1900
Efficacy (lm/W)	105	120	115
Wattage (W)	17		
CRI	>80		
Beam Angle (°)	120		
LED Lifetime (Hrs)	50000		
Voltage (AC)	220-240		
Frequency (Hz)	50		
Dimmable	Yes		
Operating Temp (°C)	-20 to +60		
Corridor Function	10% & 30%		



Diffuser Hinged With Base

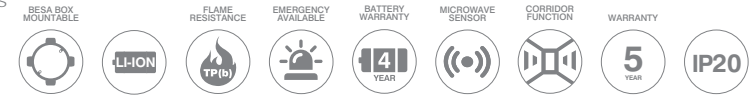
PRODUCT APPROVALS

BS EN 60598-1; BS EN IEC 60598-2-1; BS EN 62471; BS EN 61058-1; BS EN 61347-1; BS EN 61347-2-7; BS EN 62493; BS EN 55015; BS EN 61547; BS EN 61000-3-2 & BS EN 61000-3-3



17W Dimmable Linear LED Battens - CCT - 1200mm (4ft)

AVAILABLE FINISHES



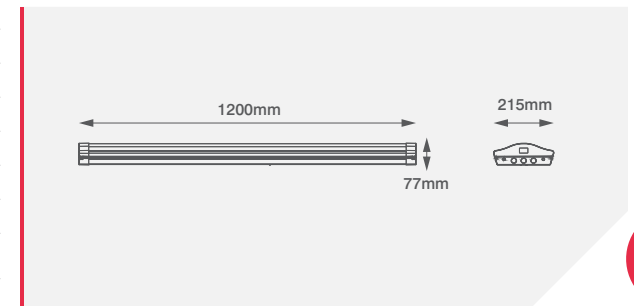
COLOUR TEMPERATURE



PRODUCT INFO			
CCT (K)	3000	4000	6000
Lumens (lm)	1800	2000	1900
Lumens (lm) (Emergency)	240		
Efficacy (lm/W)	100	110	105
Wattage (W)	19		
CRI	>80		
Beam Angle (°)	120		
LED Lifetime (Hrs)	50000		
Voltage (AC)	220-240		
Frequency (Hz)	50		
Dimmable	Yes		
Operating Temp (°C)	0 to +60		
Corridor Function	10% & 30%		

CODE	DESCRIPTION
OV841217DEMCTADA	1200mm LED Batten With DALI Emergency & DALI
OV841217EMCTADA	1200mm LED Batten With Emergency & DALI
OV841217EMCTASD	1200mm LED Batten With Emergency & Switch Dim

COMPATIBLE PRODUCTS		
OVEMB7418LI	7.4V 1800mAh LiFePo4 Battery - Serial	See page 276
OSUSY15	2 x Y Shaped Suspension Cable for Linear Luminaires	See page 276



Diffuser Hinged With Base

PRODUCT APPROVALS

BS EN 60598-1; BS EN IEC 60598-2-1; BS EN 62471; BS EN 61058-1; BS EN 61347-1; BS EN 61347-2-7; BS EN 62493; BS EN 55015; BS EN 61547; BS EN 61000-3-2 & BS EN 61000-3-3



32W Linear LED Battens - CCT - 1200mm (4ft)



AVAILABLE FINISHES

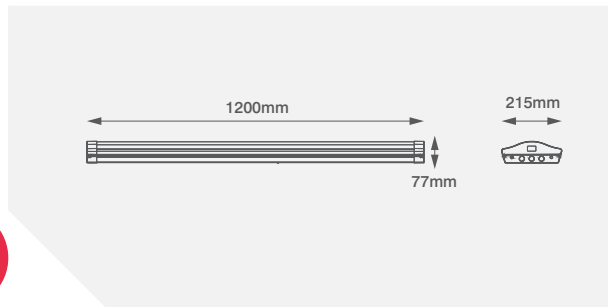


COLOUR TEMPERATURE



CODE	DESCRIPTION
OV841232CTA	1200mm LED Batten
OV841232MWCTA	1200mm LED Batten With Microwave Sensor Having Corridor Function
COMPATIBLE PRODUCTS	
OVEMB7418LI	7.4V 1800mAh LiFePo4 Battery - Serial See page 276

PRODUCT INFO			
CCT (K)	3000	4000	6000
Lumens (lm)	3400	3800	3600
Efficacy (lm/W)	105	120	115
Wattage (W)	32		
CRI	>80		
Beam Angle (°)	120		
LED Lifetime (Hrs)	50000		
Voltage (AC)	220-240		
Frequency (Hz)	50		
Dimmable	No		
Operating Temp (°C)	-20 to +60		
Corridor Function	10% & 30%		



Diffuser Hinged With Base
Microwave Sensor offers Corridor Function facility

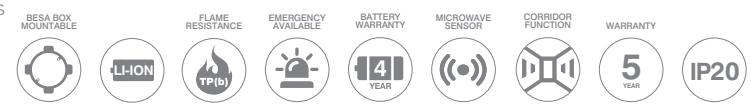
PRODUCT APPROVALS

BS EN 60598-1 BS EN 60598-2-1 BS EN 62471 BS EN 61058-1 BS EN 61347-1 BS EN 61347-2-7 BS EN 62493 BS EN 55015 BS EN 61547 BS EN 61000-3-2



32W Linear LED Battens - CCT - 1200mm (4ft)

AVAILABLE FINISHES

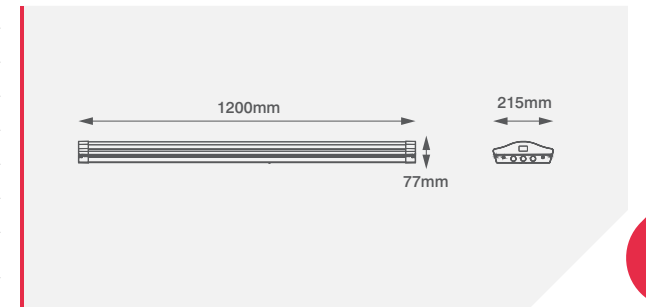


COLOUR TEMPERATURE



PRODUCT INFO			
CCT (K)	3000	4000	6000
Lumens (lm)	3400	3800	3600
Lumens (lm) (Emergency)	480		
Efficacy (lm/W)	100	110	105
Wattage (W)	34		
CRI	>80		
Beam Angle (°)	120		
LED Lifetime (Hrs)	50000		
Voltage (AC)	220-240		
Frequency (Hz)	50		
Dimmable	No		
Operating Temp (°C)	0 to +60		
Corridor Function	10% & 30%		

CODE	DESCRIPTION
OV841232EMCTA	1200mm LED Batten With Emergency
OV841232MWEMCTA	1200mm LED Batten With Microwave Sensor Having Corridor Function & Emergency
COMPATIBLE PRODUCTS	
OVEMB11120LIS	11.1V 2000mAh LiFePo4 Battery - Serial See page 276
OSUSY15	2 x Y Shaped Suspension Cable for Linear Luminaires See page 276



Diffuser Hinged With Base
Microwave Sensor offers Corridor Function facility

PRODUCT APPROVALS

BS EN 60598-1 BS EN 60598-2-1 BS EN 62471 BS EN 61058-1 BS EN 61347-1 BS EN 61347-2-7 BS EN 62493 BS EN 55015 BS EN 61547 BS EN 61000-3-2



32W Dimmable Linear LED Battens - CCT - 1200mm (4ft)



AVAILABLE FINISHES

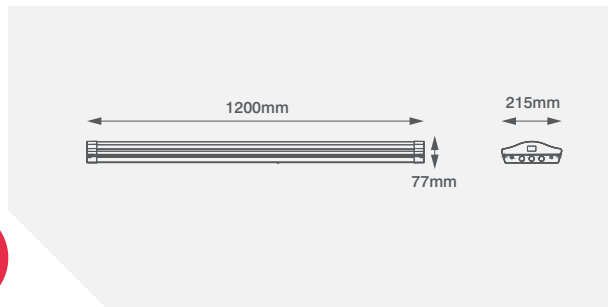


COLOUR TEMPERATURE



CODE	DESCRIPTION
OV841232CTADA	1200mm LED Batten With DALI
OV841232CTASD	1200mm LED Batten With Switch Dim

COMPATIBLE PRODUCTS		
OVEMB7418LI	7.4V 1800mAh LiFePo4 Battery - Serial	See page 276



Diffuser Hinged With Base

PRODUCT INFO			
CCT (K)	3000	4000	6000
Lumens (lm)	3400	3800	3600
Efficacy (lm/W)	105	120	115
Wattage (W)	32		
CRI	>80		
Beam Angle (°)	120		
LED Lifetime (Hrs)	50000		
Voltage (AC)	220-240		
Frequency (Hz)	50		
Dimmable	Yes		
Operating Temp (°C)	-20 to +60		
Corridor Function	10% & 30%		

PRODUCT APPROVALS

BS EN 60598-1; BS EN IEC 60598-2-1; BS EN 62471; BS EN 61058-1; BS EN 61347-1; BS EN 61347-2-7; BS EN 62493; BS EN 55015; BS EN 61547; BS EN 61000-3-2 & BS EN 61000-3-3



32W Dimmable Linear LED Battens - CCT - 1200mm (4ft)

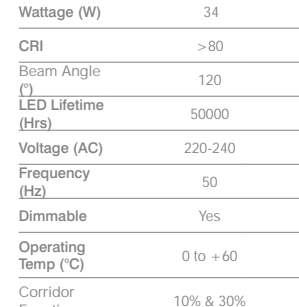
AVAILABLE FINISHES



COLOUR TEMPERATURE



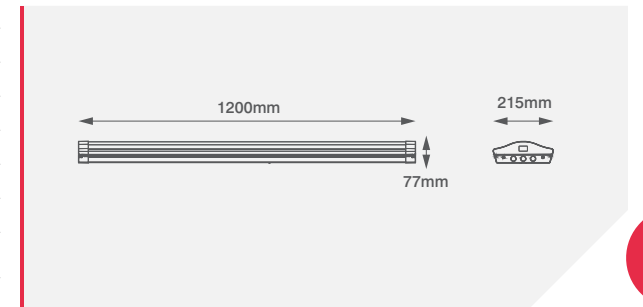
PRODUCT INFO			
CCT (K)	3000	4000	6000
Lumens (lm)	3400	3800	3600
Lumens (lm) (Emergency)	480		
Efficacy (lm/W)	100	110	105
Wattage (W)	34		
CRI	>80		
Beam Angle (°)	120		
LED Lifetime (Hrs)	50000		
Voltage (AC)	220-240		
Frequency (Hz)	50		
Dimmable	Yes		
Operating Temp (°C)	0 to +60		
Corridor Function	10% & 30%		



Diffuser Hinged With Base

CODE	DESCRIPTION
OV841232DEMCTADA	1200mm LED Batten With DALI Emergency & DALI
OV841232EMCTADA	1200mm LED Batten With Emergency & DALI
OV841232EMCTASD	1200mm LED Batten With Emergency & Switch Dim

COMPATIBLE PRODUCTS		
OVEMB11120LIS	11.1V 2000mAh LiFePo4 Battery - Serial	See page 276
OSUSY15	2 x Y Shaped Suspension Cable for Linear Luminaires	See page 276



Diffuser Hinged With Base

BS EN 60598-1; BS EN IEC 60598-2-1; BS EN 62471; BS EN 61058-1; BS EN 61347-1; BS EN 61347-2-7; BS EN 62493; BS EN 55015; BS EN 61547; BS EN 61000-3-2 & BS EN 61000-3-3



25W Linear LED Battens - CCT - 1500mm (5ft)



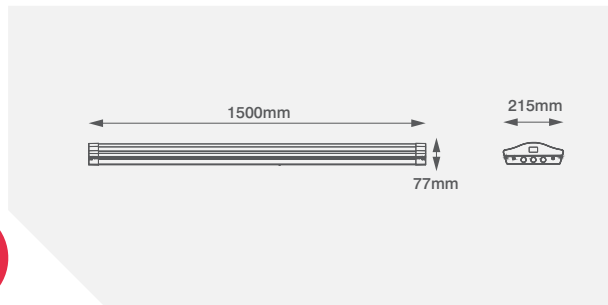
AVAILABLE FINISHES



COLOUR TEMPERATURE



CODE	DESCRIPTION
OV841525CTA	1500mm LED Batten
OV841525MWCTA	1500mm LED Batten With Microwave Sensor Having Corridor Function
COMPATIBLE PRODUCTS	
OVEMB7418LI	7.4V 1800mAh LiFePo4 Battery - Serial See page 276



Diffuser Hinged With Base
Microwave Sensor offers Corridor Function facility

PRODUCT INFO			
CCT (K)	3000	4000	6000
Lumens (lm)	2600	2950	2800
Efficacy (lm/W)	105	120	115
Wattage (W)	25		
CRI	>80		
Beam Angle (°)	120		
LED Lifetime (Hrs)	50000		
Voltage (AC)	220-240		
Frequency (Hz)	50		
Dimmable	No		
Operating Temp (°C)	-20 to +60		
Corridor Function	10% & 30%		

PRODUCT APPROVALS

BS EN 60598-1 BS EN 60598-2-1 BS EN 62471 BS EN 61058-1 BS EN 61347-1 BS EN 61347-2-7 BS EN 62493 BS EN 55015 BS EN 61547 BS EN 61000-3-2



25W Linear LED Battens - CCT - 1500mm (5ft)

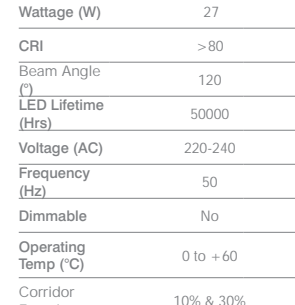
AVAILABLE FINISHES



COLOUR TEMPERATURE



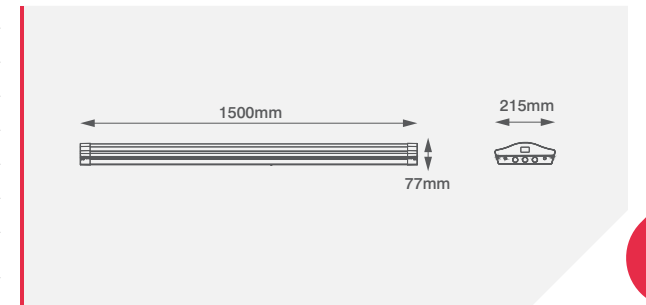
PRODUCT INFO			
CCT (K)	3000	4000	6000
Lumens (lm)	2600	2950	2800
Lumens (lm) (Emergency)	240		
Efficacy (lm/W)	100	110	105
Wattage (W)	27		
CRI	>80		
Beam Angle (°)	120		
LED Lifetime (Hrs)	50000		
Voltage (AC)	220-240		
Frequency (Hz)	50		
Dimmable	No		
Operating Temp (°C)	0 to +60		
Corridor Function	10% & 30%		



PRODUCT APPROVALS

BS EN 60598-1 BS EN 60598-2-1 BS EN 62471 BS EN 61058-1 BS EN 61347-1 BS EN 61347-2-7 BS EN 62493 BS EN 55015 BS EN 61547 BS EN 61000-3-2

CODE	DESCRIPTION
OV841525EMCTA	1500mm LED Batten With Emergency
OV841525MWEMCTA	1500mm LED Batten With Microwave Sensor Having Corridor Function & Emergency
COMPATIBLE PRODUCTS	
OVEMB7418LI	7.4V 1800mAh LiFePo4 Battery - Serial See page 276
OSUSY15	2 x Y Shaped Suspension Cable for Linear Luminaires See page 276



Diffuser Hinged With Base
Microwave Sensor offers Corridor Function facility



25W Dimmable Linear LED Battens - CCT - 1500mm (5ft)



AVAILABLE FINISHES

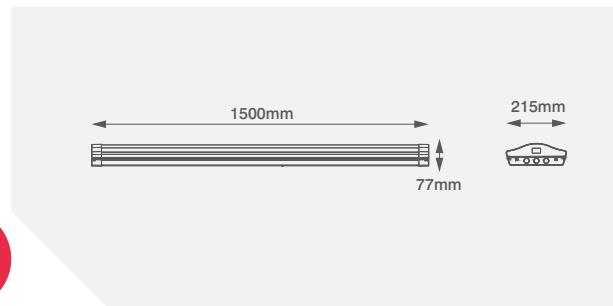


COLOUR TEMPERATURE



CODE	DESCRIPTION
OV841525CTADA	1500mm LED Batten With DALI
OV841525CTASD	1500mm LED Batten With Switch Dim

COMPATIBLE PRODUCTS		
OVEMB7418LI	7.4V 1800mAh LiFePo4 Battery – Serial	See page 276



Diffuser Hinged With Base

PRODUCT INFO			
CCT (K)	3000	4000	6000
Lumens (lm)	2600	2950	2800
Efficacy (lm/W)	105	120	115
Wattage (W)	25		
CRI	>80		
Beam Angle (°)	120		
LED Lifetime (Hrs)	50000		
Voltage (AC)	220-240		
Frequency (Hz)	50		
Dimmable	Yes		
Operating Temp (°C)	-20 to +60		
Corridor Function	10% & 30%		

PRODUCT APPROVALS

BS EN 60598-1; BS EN IEC 60598-2-1; BS EN 62471; BS EN 61058-1; BS EN 61347-1; BS EN 61347-2-7; BS EN 62493; BS EN 55015; BS EN 61547; BS EN 61000-3-2 & BS EN 61000-3-3



25W Dimmable Linear LED Battens - CCT - 1500mm (5ft)

AVAILABLE FINISHES

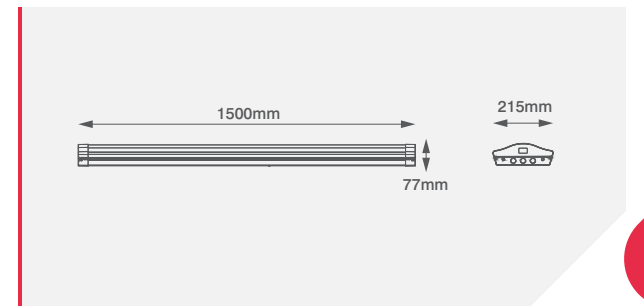


COLOUR TEMPERATURE



PRODUCT INFO			
CCT (K)	3000	4000	6000
Lumens (lm)	2600	2950	2800
Lumens (lm) (Emergency)	240		
Efficacy (lm/W)	100	110	105
Wattage (W)	27		
CRI	>80		
Beam Angle (°)	120		
LED Lifetime (Hrs)	50000		
Voltage (AC)	220-240		
Frequency (Hz)	50		
Dimmable	Yes		
Operating Temp (°C)	0 to +60		
Corridor Function	10% & 30%		

COMPATIBLE PRODUCTS			
OVEMB7418LI	7.4V 1800mAh LiFePo4 Battery – Serial	See page 276	
OSUSY15	2 x Y Shaped Suspension Cable for Linear Luminaires	See page 276	



Diffuser Hinged With Base

PRODUCT APPROVALS

BS EN 60598-1; BS EN IEC 60598-2-1; BS EN 62471; BS EN 61058-1; BS EN 61347-1; BS EN 61347-2-7; BS EN 62493; BS EN 55015; BS EN 61547; BS EN 61000-3-2 & BS EN 61000-3-3



UTILITY

UTILITY



50W Linear LED Battens - CCT - 1500mm (5ft)



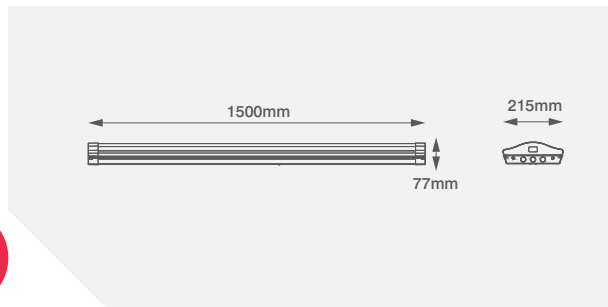
AVAILABLE FINISHES



COLOUR TEMPERATURE



CODE	DESCRIPTION
OV841550CTA	1500mm LED Batten
OV841550MWCTA	1500mm LED Batten With Microwave Sensor Having Corridor Function
COMPATIBLE PRODUCTS	
OVEMB7418LI	7.4V 1800mAh LiFePo4 Battery - Serial See page 276



Diffuser Hinged With Base
Microwave Sensor offers Corridor Function facility

PRODUCT INFO			
CCT (K)	3000	4000	6000
Lumens (lm)	5250	5900	5600
Efficacy (lm/W)	105	120	115
Wattage (W)	50		
CRI	>80		
Beam Angle (°)	120		
LED Lifetime (Hrs)	50000		
Voltage (AC)	220-240		
Frequency (Hz)	50		
Dimmable	No		
Operating Temp (°C)	-20 to +60		
Corridor Function	10% & 30%		

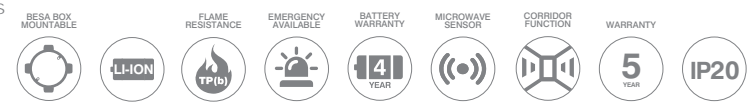
PRODUCT APPROVALS

BS EN 60598-1 BS EN 60598-2-1 BS EN 62471 BS EN 61058-1 BS EN 61347-1 BS EN 61347-2-7 BS EN 62493 BS EN 55015 BS EN 61547 BS EN 61000-3-2



50W Linear LED Battens - CCT - 1500mm (5ft)

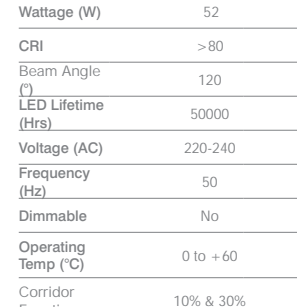
AVAILABLE FINISHES



COLOUR TEMPERATURE



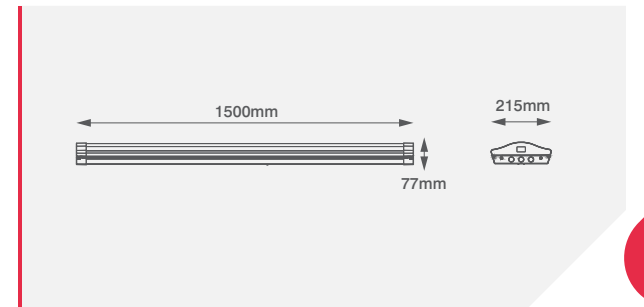
PRODUCT INFO			
CCT (K)	3000	4000	6000
Lumens (lm)	5250	5900	5600
Lumens (lm) (Emergency)	480		
Efficacy (lm/W)	100	110	105
Wattage (W)	52		
CRI	>80		
Beam Angle (°)	120		
LED Lifetime (Hrs)	50000		
Voltage (AC)	220-240		
Frequency (Hz)	50		
Dimmable	No		
Operating Temp (°C)	0 to +60		
Corridor Function	10% & 30%		



PRODUCT APPROVALS

BS EN 60598-1 BS EN 60598-2-1 BS EN 62471 BS EN 61058-1 BS EN 61347-1 BS EN 61347-2-7 BS EN 62493 BS EN 55015 BS EN 61547 BS EN 61000-3-2

CODE	DESCRIPTION
OV841550EMCTA	1500mm LED Batten With Emergency
OV841550MWEMCTA	1500mm LED Batten With Microwave Sensor Having Corridor Function & Emergency
COMPATIBLE PRODUCTS	
OVEMB11120LIS	11.1V 2000mAh LiFePo4 Battery - Serial See page 276
OSUSY15	2 x Y Shaped Suspension Cable for Linear Luminaires See page 276



Diffuser Hinged With Base
Microwave Sensor offers Corridor Function facility



UTILITY

UTILITY



50W Dimmable Linear LED Battens - CCT - 1500mm (5ft)



AVAILABLE FINISHES

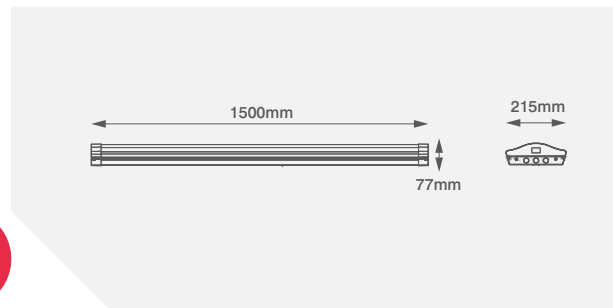


COLOUR TEMPERATURE



CODE	DESCRIPTION
OV841550CTADA	1500mm LED Batten With DALI
OV841550CTASD	1500mm LED Batten With Switch Dim

COMPATIBLE PRODUCTS		
OVEMB7418LI	7.4V 1800mAh LiFePo4 Battery - Serial	See page 276



Diffuser Hinged With Base

PRODUCT INFO			
CCT (K)	3000	4000	6000
Lumens (lm)	5250	5900	5600
Efficacy (lm/W)	105	120	115
Wattage (W)	50		
CRI	>80		
Beam Angle (°)	120		
LED Lifetime (Hrs)	50000		
Voltage (AC)	220-240		
Frequency (Hz)	50		
Dimmable	Yes		
Operating Temp (°C)	-20 to +60		
Corridor Function	10% & 30%		

PRODUCT APPROVALS

BS EN 60598-1; BS EN IEC 60598-2-1; BS EN 62471; BS EN 61058-1; BS EN 61347-1; BS EN 61347-2-7; BS EN 62493; BS EN 55015; BS EN 61547; BS EN 61000-3-2 & BS EN 61000-3-3



50W Dimmable Linear LED Battens - CCT - 1500mm (5ft)

AVAILABLE FINISHES

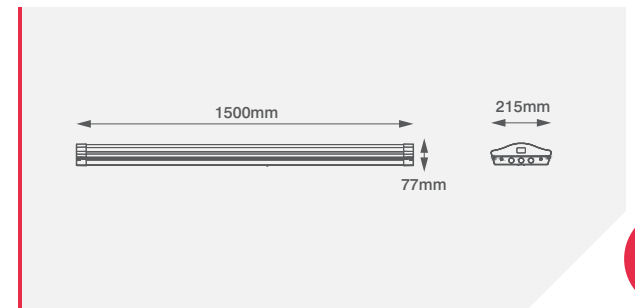


COLOUR TEMPERATURE



PRODUCT INFO			
CCT (K)	3000	4000	6000
Lumens (lm)	5250	5900	5600
Lumens (lm) (Emergency)	480		
Efficacy (lm/W)	100	110	105
Wattage (W)	52		
CRI	>80		
Beam Angle (°)	120		
LED Lifetime (Hrs)	50000		
Voltage (AC)	220-240		
Frequency (Hz)	50		
Dimmable	Yes		
Operating Temp (°C)	0 to +60		
Corridor Function	10% & 30%		

COMPATIBLE PRODUCTS			
OVEMB11120LIS	11.1V 2000mAh LiFePo4 Battery - Serial	See page 276	
OSUSY15	2 x Y Shaped Suspension Cable for Linear Luminaires	See page 276	



Diffuser Hinged With Base

PRODUCT APPROVALS

BS EN 60598-1; BS EN IEC 60598-2-1; BS EN 62471; BS EN 61058-1; BS EN 61347-1; BS EN 61347-2-7; BS EN 62493; BS EN 55015; BS EN 61547; BS EN 61000-3-2 & BS EN 61000-3-3



60W Linear LED Batten - CCT - 1500mm (5ft)



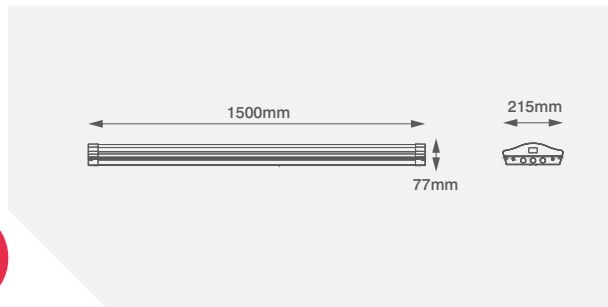
AVAILABLE FINISHES



COLOUR TEMPERATURE



CODE	DESCRIPTION
OV84156OCTA	1500mm LED Batten
OV841560MWCTA	1500mm LED Batten With Microwave Sensor Having Corridor Function
COMPATIBLE PRODUCTS	
OVEMB7418LI	7.4V 1800mAh LiFePo4 Battery - Serial See page 276



Diffuser Hinged With Base
Microwave Sensor offers Corridor Function facility

PRODUCT INFO			
CCT (K)	4000	3000	6000
Lumens (lm)	6550	7300	6850
Efficacy (lm/W)	110	125	115
Wattage (W)	60		
CRI	>80		
Beam Angle (°)	120		
LED Lifetime (Hrs)	50000		
Voltage (AC)	220-240		
Frequency (Hz)	50		
Dimmable	No		
Operating Temp (°C)	-20 to +60		
Corridor Function	10% & 30%		

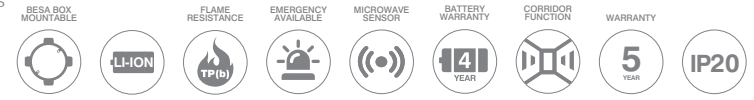
PRODUCT APPROVALS

BS EN 60598-1 BS EN 60598-2-1 BS EN 62471 BS EN 61058-1 BS EN 61347-1 BS EN 61347-2-7 BS EN 62493 BS EN 55015 BS EN 61547 BS EN 61000-3-2



60W Linear LED Batten - CCT - 1500mm (5ft)

AVAILABLE FINISHES



COLOUR TEMPERATURE

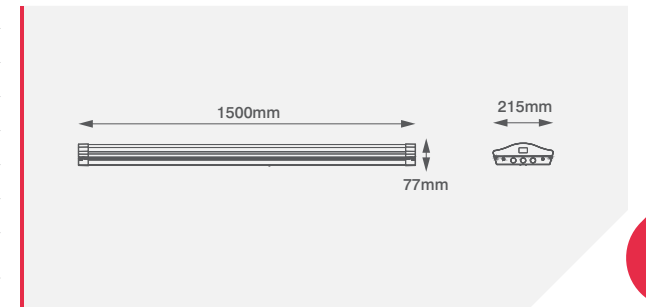


PRODUCT INFO			
CCT (K)	4000	3000	6000
Lumens (lm)	6550	7300	6850
Lumens (lm) (Emergency)	480		
Efficacy (lm/W)	105	115	110
Wattage (W)	62		
CRI	>80		
Beam Angle (°)	120		
LED Lifetime (Hrs)	50000		
Voltage (AC)	220-240		
Frequency (Hz)	50		
Dimmable	No		
Operating Temp (°C)	0 to +60		
Corridor Function	10% & 30%		

PRODUCT APPROVALS

BS EN 60598-1 BS EN 60598-2-1 BS EN 62471 BS EN 61058-1 BS EN 61347-1 BS EN 61347-2-7 BS EN 62493 BS EN 55015 BS EN 61547 BS EN 61000-3-2

CODE	DESCRIPTION
OV841560EMCTA	1500mm LED Batten With Emergency
OV841560MWEMCTA	1500mm LED Batten With Microwave Sensor Having Corridor Function & Emergency
COMPATIBLE PRODUCTS	
OVEMB11120LIS	11.1V 2000mAh LiFePo4 Battery - Serial See page 276
OSUSY15	2 x Y Shaped Suspension Cable for Linear Luminaires See page 276



Diffuser Hinged With Base
Microwave Sensor offers Corridor Function facility



UTILITY

UTILITY



60W Dimmable Linear LED Battens - CCT - 1500mm (5ft)



AVAILABLE FINISHES

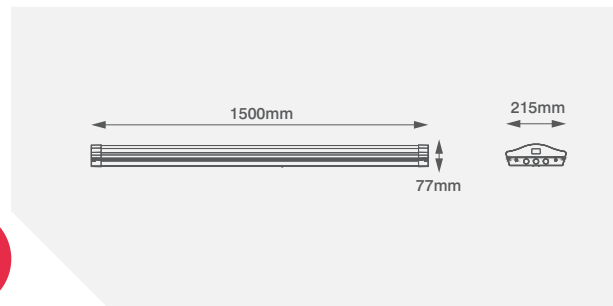


COLOUR TEMPERATURE



CODE	DESCRIPTION
OV84156OCTADA	1500mm LED Batten With DALI
OV84156OCTASD	1500mm LED Batten With Switch Dim

COMPATIBLE PRODUCTS		
OVEMB7418LI	7.4V 1800mAh LiFePo4 Battery - Serial	See page 276
OSUSY15	2 x Y Shaped Suspension Cable for Linear Luminaires	See page 276



Diffuser Hinged With Base

PRODUCT INFO			
CCT (K)	3000	4000	6000
Lumens (lm)	6550	7300	6850
Efficacy (lm/W)	105	125	115
Wattage (W)	60		
CRI	>80		
Beam Angle (°)	120		
LED Lifetime (Hrs)	50000		
Voltage (AC)	220-240		
Frequency (Hz)	50		
Dimmable	Yes		
Operating Temp (°C)	-20 to +60		
Corridor Function	10% & 30%		

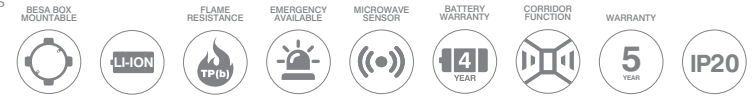
PRODUCT APPROVALS

BS EN 60598-1; BS EN IEC 60598-2-1; BS EN 62471; BS EN 61058-1; BS EN 61347-1; BS EN 61347-2-7; BS EN 62493; BS EN 55015; BS EN 61547; BS EN 61000-3-2 & BS EN 61000-3-3



60W Dimmable Linear LED Battens - CCT - 1500mm (5ft)

AVAILABLE FINISHES



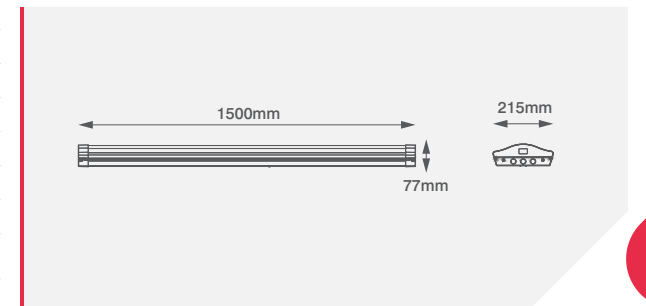
COLOUR TEMPERATURE



PRODUCT INFO			
CCT (K)	3000	4000	6000
Lumens (lm)	6550	7300	6850
Lumens (lm) (Emergency)	480		
Efficacy (lm/W)	100	115	110
Wattage (W)	62		
CRI	>80		
Beam Angle (°)	120		
LED Lifetime (Hrs)	50000		
Voltage (AC)	220-240		
Frequency (Hz)	50		
Dimmable	Yes		
Operating Temp (°C)	0 to +60		
Corridor Function	10% & 30%		

CODE	DESCRIPTION
OV841560DEMCTADA	1500mm LED Batten With DALI Emergency & DALI
OV841560EMCTADA	1500mm LED Batten With Emergency & DALI
OV841560EMCTASD	1500mm LED Batten With Emergency & Switch Dim

COMPATIBLE PRODUCTS		
OVEMB11120LIS	11.1V 2000mAh LiFePo4 Battery - Serial	See page 276
OSUSY15	2 x Y Shaped Suspension Cable for Linear Luminaires	See page 276



Diffuser Hinged With Base

PRODUCT APPROVALS

BS EN 60598-1; BS EN IEC 60598-2-1; BS EN 62471; BS EN 61058-1; BS EN 61347-1; BS EN 61347-2-7; BS EN 62493; BS EN 55015; BS EN 61547; BS EN 61000-3-2 & BS EN 61000-3-3



INCEPTOR[®] DUO



Up & Down Linear Luminaire

The Inceptor Duo is a sleek up & down dimmable linear luminaire. The fitting is available in 2 lengths and 3 different colour options to suit all décor. Available in Standard & Emergency.

2 Wattages, 2 Sizes

Slim design, available in 2 lengths

1200mm (4ft)

1500mm (5ft)

3 Finish Options

Available in Black, Grey and White.



Dual CCT Switch

2 CCT switches provided to allow the end user to individually change the top LED and bottom LED light source. All models can change between, 3000K, 4000K, 6000K and OFF.



Push Fit Terminals

Providing hassle free and quick installations.

LED Strip

0/1-10V Dimmable Driver

Adjustable light output of the LEDs.

Emergency Converter

Ensures there is lighting in case of emergency.

Battery

Suspension

Diffuser

Dispenses light outward with an even light spread.



End Cap

Emergency Indicator

A visible indicator to highlight the lights battery back up status.

Gear Tray



Dimmable Available



Emergency Version Available



50,000 Hours Lifetime

42W Linear LED Up & Down Suspended Luminaires - CCT



AVAILABLE FINISHES

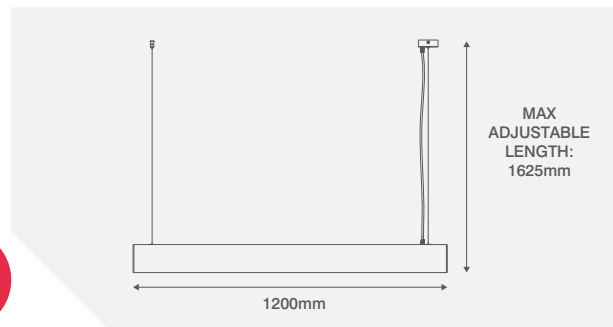


COLOUR TEMPERATURE



CODE	DESCRIPTION
OXD442-B	Up & Down LED Luminaire - Black
OXD442-W	Up & Down LED Luminaire - White
OXD442-G	Up & Down LED Luminaire - Grey

PRODUCT INFO			
CCT (K)	3000	4000	6000
Lumens (lm) (up)	300	330	300
Lumens (lm) (down)	3800	4000	3800
Overall Efficacy (lm/W)	97	103	97
Circuit Wattage (W)	42		
LED Wattage (W)	36 (Down) & 6 (Up)		
CRI	>80		
Beam Angle (°)	100		
LED Lifetime (Hrs)	50,000		
Voltage (AC)	220-240		
Frequency (Hz)	50/60		
Dimmable	0(1)-10V		
Operating Temp (°C)	-15 to +45		



Up & Down Each Features CCT & Off Facility

PRODUCT APPROVALS

BS EN 60598-1 BS EN 60669-2-1 BS EN 62471 BS EN 61058-1 BS EN 61347-1 BS EN 61347-2-7 BS EN 62493 BS EN 55015 BS EN 61547 BS EN 61000-3-2 BS EN 61000-3-3



42W Linear LED Up & Down Suspended Luminaires - CCT

AVAILABLE FINISHES

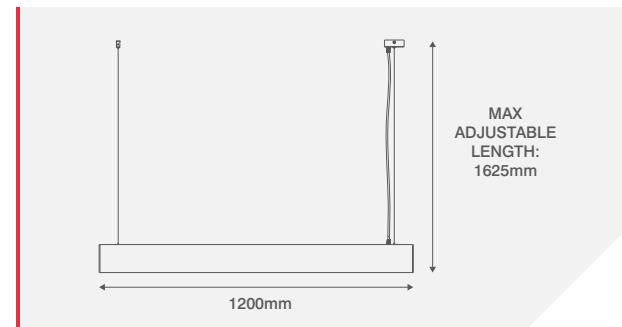


COLOUR TEMPERATURE



PRODUCT INFO			
CCT (K)	3000	4000	6000
Lumens (lm) (up)	300	330	300
Lumens (lm) (down)	3800	4000	3800
Lumens (lm) (Emergency)	300		
Overall Efficacy (lm/W)	95	100	95
Circuit Wattage (W)	43		
LED Wattage (W)	36 (Down) & 6 (Up)		
CRI	>80		
Beam Angle (°)	100		
LED Lifetime (Hrs)	50,000		
Voltage (AC)	220-240		
Frequency (Hz)	50/60		
Dimmable	0(1)-10V		
Operating Temp (°C)	0 to +45		

CODE	DESCRIPTION
OXD442-E-B	Up & Down LED Luminaire With Emergency - Black
OXD442-E-W	Up & Down LED Luminaire With Emergency - White
OXD442-E-G	Up & Down LED Luminaire With Emergency - Grey



PRODUCT APPROVALS

Up & Down Each Features CCT & Off Facility

BS EN 60598-1 BS EN 60669-2-1 BS EN 62471 BS EN 61058-1 BS EN 61347-1 BS EN 61347-2-7 BS EN 62493 BS EN 55015 BS EN 61547 BS EN 61000-3-2 BS EN 61000-3-3

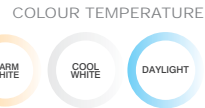
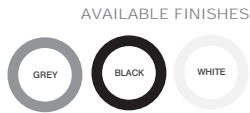


UTILITY

UTILITY



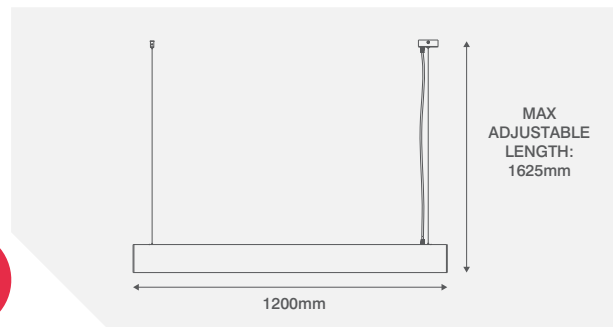
42W 2 in 1 Dimmable Linear LED Up & Down Suspended Luminaires - CCT



CODE	DESCRIPTION
OXD442-B-MF	Up & Down Dimmable LED Luminaire - Black
OXD442-W-MF	Up & Down Dimmable LED Luminaire - White
OXD442-G-MF	Up & Down Dimmable LED Luminaire - Grey

Complete with 2 in 1 Integrated Multi-Function Driver (DALI & Switch Dim)
Up & Down Each Features CCT & Off Facility

PRODUCT INFO			
CCT (K)	3000	4000	6000
Lumens (lm) (up)	300	330	300
Lumens (lm) (down)	3800	4000	3800
Overall Efficacy (lm/W)	97	103	97
Circuit Wattage (W)	42		
LED Wattage (W)	36 (Down) & 6 (Up)		
CRI	>80		
Beam Angle (°)	100		
LED Lifetime (Hrs)	50,000		
Voltage (AC)	220-240		
Frequency (Hz)	50/60		
Dimmable	DALI & Switch Dim		
Operating Temp (°C)	-15 to +45		



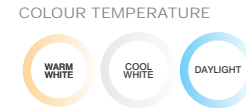
PRODUCT APPROVALS

BS EN 60598-1 BS EN 60669-2-1 BS EN 62471 BS EN 61058-1 BS EN 61347-1 BS EN 61347-2-7 BS EN 62493 BS EN 55015 BS EN 61547 BS EN 61000-3-2 BS EN 61000-3-3



42W 2 in 1 Dimmable Linear LED Up & Down Suspended Luminaires - CCT

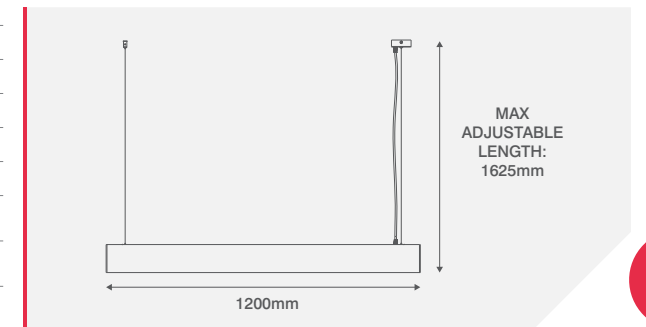
AVAILABLE FINISHES



PRODUCT INFO			
CCT (K)	3000	4000	6000
Lumens (lm) (up)	300	330	300
Lumens (lm) (down)	3800	4000	3800
Lumens (lm) (Emergency)	300		
Overall Efficacy (lm/W)	95	100	95
Circuit Wattage (W)	43		
LED Wattage (W)	36 (Down) & 6 (Up)		
CRI	>80		
Beam Angle (°)	100		
LED Lifetime (Hrs)	50,000		
Voltage (AC)	220-240		
Frequency (Hz)	50/60		
Dimmable	DALI & Switch Dim		
Operating Temp (°C)	0 to +45		

CODE	DESCRIPTION
OXD442-E-B-MF	Up & Down Dimmable LED Luminaire With Emergency - Black
OXD442-E-W-MF	Up & Down Dimmable LED Luminaire With Emergency - White
OXD442-E-G-MF	Up & Down Dimmable LED Luminaire With Emergency - Grey

Complete with 2 in 1 Integrated Multi-Function Driver (DALI & Switch Dim)
Up & Down Each Features CCT & Off Facility



PRODUCT APPROVALS

BS EN 60598-1 BS EN 60669-2-1 BS EN 62471 BS EN 61058-1 BS EN 61347-1 BS EN 61347-2-7 BS EN 62493 BS EN 55015 BS EN 61547 BS EN 61000-3-2 BS EN 61000-3-3



UTILITY

UTILITY



56W Linear LED Up & Down Suspended Luminaires - CCT



AVAILABLE FINISHES

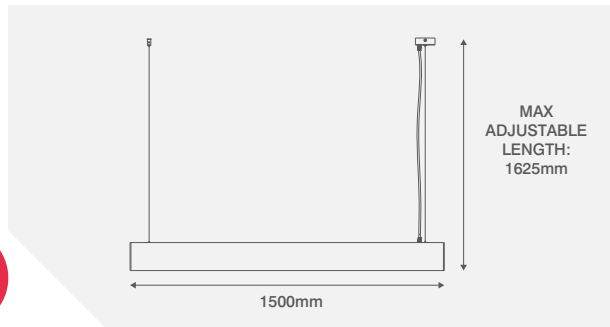


COLOUR TEMPERATURE



CODE	DESCRIPTION
OXD556-B	Up & Down LED Luminaire - Black
OXD556-W	Up & Down LED Luminaire - White
OXD556-G	Up & Down LED Luminaire - Grey

PRODUCT INFO			
CCT (K)	3000	4000	6000
Lumens (lm) (up)	300	330	300
Lumens (lm) (down)	4750	5000	4750
Overall Efficacy (lm/W)	90	95	90
Circuit Wattage (W)	56		
LED Wattage (W)	50 (Down) & 6 (Up)		
CRI	>80		
Beam Angle (°)	100		
LED Lifetime (Hrs)	50,000		
Voltage (AC)	220-240		
Frequency (Hz)	50/60		
Dimmable	0(1)-10V		
Operating Temp (°C)	-15 to +45		



Up & Down Each Features CCT & Off Facility

PRODUCT APPROVALS

BS EN 60598-1 BS EN 60669-2-1 BS EN 62471 BS EN 61058-1 BS EN 61347-1 BS EN 61347-2-7 BS EN 62493 BS EN 55015 BS EN 61547 BS EN 61000-3-2 BS EN 61000-3-3



56W Linear LED Up & Down Suspended Luminaires - CCT

AVAILABLE FINISHES

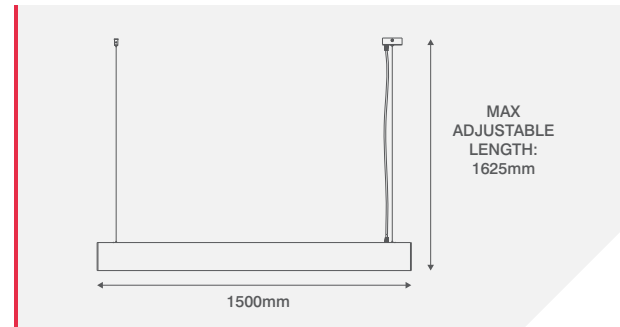


COLOUR TEMPERATURE



PRODUCT INFO			
CCT (K)	3000	4000	6000
Lumens (lm) (up)	300	330	300
Lumens (lm) (down)	4750	5000	4750
Lumens (lm) (Emergency)	400		
Overall Efficacy (lm/W)	87	92	87
Circuit Wattage (W)	57.5		
LED Wattage (W)	50 (Down) & 6 (Up)		
CRI	>80		
Beam Angle (°)	100		
LED Lifetime (Hrs)	50,000		
Voltage (AC)	220-240		
Frequency (Hz)	50/60		
Dimmable	0(1)-10V		
Operating Temp (°C)	0 to +45		

CODE	DESCRIPTION
OXD556-E-B	Up & Down LED Luminaire With Emergency - Black
OXD556-E-W	Up & Down LED Luminaire With Emergency - White
OXD556-E-G	Up & Down LED Luminaire With Emergency - Grey



PRODUCT APPROVALS

Up & Down Each Features CCT & Off Facility

BS EN 60598-1 BS EN 60669-2-1 BS EN 62471 BS EN 61058-1 BS EN 61347-1 BS EN 61347-2-7 BS EN 62493 BS EN 55015 BS EN 61547 BS EN 61000-3-2 BS EN 61000-3-3



UTILITY

UTILITY



56W 2 in 1 Dimmable Linear LED Up & Down Suspended Luminaires - CCT



AVAILABLE FINISHES



COLOUR TEMPERATURE



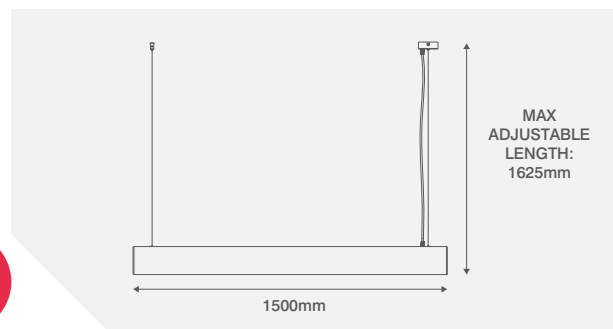
CODE DESCRIPTION

OXD556-B-MF	Up & Down Dimmable LED Luminaire - Black
OXD556-W-MF	Up & Down Dimmable LED Luminaire - White
OXD556-G-MF	Up & Down Dimmable LED Luminaire - Grey

Complete with 2 in 1 Integrated Multi-Function Driver (DALI & Switch Dim)
Up & Down Each Features CCT & Off Facility

PRODUCT INFO

CCT (K)	3000	4000	6000
Lumens (lm) (up)	300	330	300
Lumens (lm) (down)	4750	5000	4750
Overall Efficacy (lm/W)	90	95	90
Circuit Wattage (W)	56		
LED Wattage (W)	50 (Down) & 6 (Up)		
CRI	>80		
Beam Angle (°)	100		
LED Lifetime (Hrs)	50,000		
Voltage (AC)	220-240		
Frequency (Hz)	50/60		
Dimmable	DALI & Switch Dim		
Operating Temp (°C)	-15 to +45		



PRODUCT APPROVALS

BS EN 60598-1 BS EN 60669-2-1 BS EN 62471 BS EN 61058-1 BS EN 61347-1 BS EN 61347-2-7 BS EN 62493 BS EN 55015 BS EN 61547 BS EN 61000-3-2 BS EN 61000-3-3



56W 2 in 1 Dimmable Linear LED Up & Down Suspended Luminaires - CCT

AVAILABLE FINISHES



COLOUR TEMPERATURE



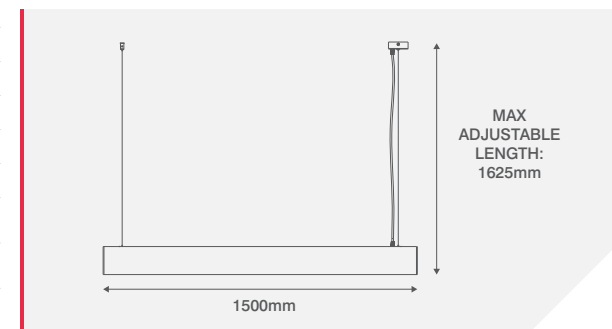
PRODUCT INFO

CCT (K)	3000	4000	6000
Lumens (lm) (up)	300	330	300
Lumens (lm) (down)	4750	5000	4750
Lumens (lm) (Emergency)	400		
Overall Efficacy (lm/W)	87	92	87
Circuit Wattage (W)	57.5		
LED Wattage (W)	50 (Down) & 6 (Up)		
CRI	>80		
Beam Angle (°)	100		
LED Lifetime (Hrs)	50,000		
Voltage (AC)	220-240		
Frequency (Hz)	50/60		
Dimmable	DALI & Switch Dim		
Operating Temp (°C)	0 to +45		

CODE DESCRIPTION

OXD556-E-B-MF	Up & Down Dimmable LED Luminaire With Emergency - Black
OXD556-E-W-MF	Up & Down Dimmable LED Luminaire With Emergency - White
OXD556-E-G-MF	Up & Down Dimmable LED Luminaire With Emergency - Grey

Complete with 2 in 1 Integrated Multi-Function Driver (DALI & Switch Dim)
Up & Down Each Features CCT & Off Facility



PRODUCT APPROVALS

BS EN 60598-1 BS EN 60669-2-1 BS EN 62471 BS EN 61058-1 BS EN 61347-1 BS EN 61347-2-7 BS EN 62493 BS EN 55015 BS EN 61547 BS EN 61000-3-2 BS EN 61000-3-3



INCEPTOR® B-LITE

Linear Batten Multi-Current LED Light



Safer Installation

The security wire for safe and easy installation. Pre-attached to the based of the product, the security wire allows the diffuser to be hung from the base while installation is in place.



LI-ION

Lithium Battery

Favoured for its safety, economy and efficiency our Emergency versions come supplied with Lithium batteries. Lithium batteries benefit from being more energy efficient and have a longer life making them perfect for our Emergency products within this range.

Base to Diffuser Clips

Easily pull apart the diffuser from the steel base with the help of spring clips, making it quicker and easier for installation.



Multi-Current Driver

The Multi-Current Driver provides the option to increase or decrease the Lumens (lm) to suit each individual application.



Polycarbonate End Caps

With conduit knock-outs



Steel Base

Robust, light weight base.

Emergency Indicator Light

A visible indicator to highlight the lights battery back up status.



Base to Diffuser Assembly Clips

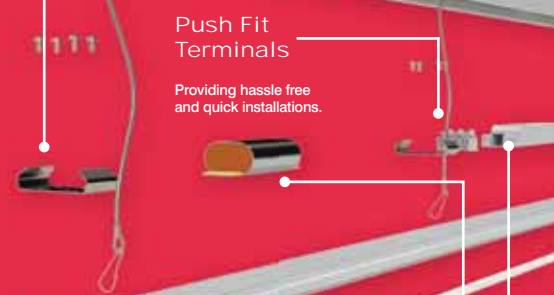
Allowing for quick and easy detachment during installation.

LED & Component Steel Gear Tray

The durable steel gear tray holds all the components together

Push Fit Terminals

Providing hassle free and quick installations.



Microwave Sensor (if Applicable)

Energy saving option with the motion detection sensor.



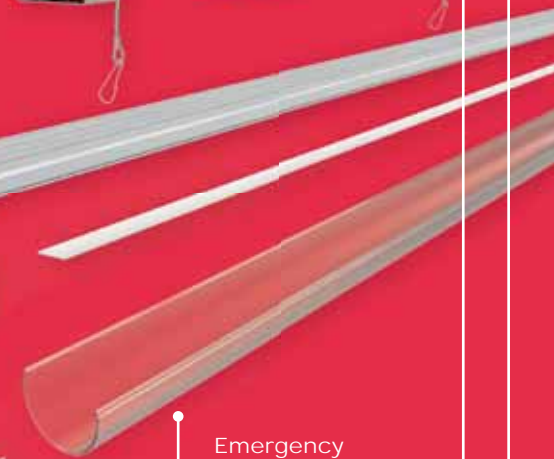
Removable Microwave Sensor Cap (if Applicable)

Removable in order to program the microwave sensor.



Emergency Battery Back up

Ensures there is security lighting in case of emergency's.



Transparent Frosted Polycarbonate Cover

Dispenses Light Outward.

Multi-Current Driver

Change Lumens (lm) and wattage to suit each individual application.



Corridor Function Version



Microwave Sensor Version Available



Emergency Version Available



50,000 Hours Lifetime

28-40W Linear Batten Multi-Current LED Luminaires - 1200mm (4ft)



AVAILABLE FINISHES

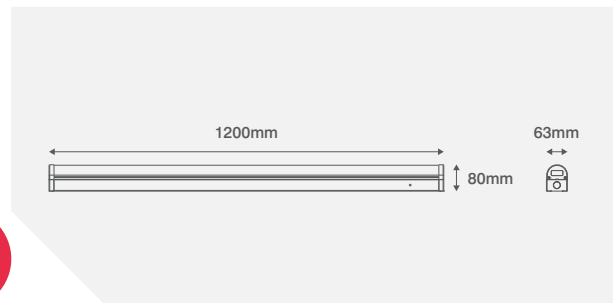


COLOUR TEMPERATURE



CODE	DESCRIPTION
OV82120	1200mm LED Luminaire
OV82120MW	1200mm LED Luminaire - Microwave Sensor
OV82120MWCF	1200mm LED Batten With Microwave Sensor Having Corridor Function

COMPATIBLE PRODUCTS		
OSUSS15	2 x Suspension Cable for Linear Luminaires	See page 276



PRODUCT INFO				
Circuit Wattage (W)	28	32	36	40
Lumens (lm)	2940	3360	3780	4200
CCT (K)	4000			
Efficacy (lm/W)	105			
CRI	>80			
Beam Angle (°)	120			
LED Lifetime (Hrs)	50000			
Voltage (AC)	220-240			
Frequency (Hz)	50			
Dimmable	No			
Operating Temp (°C)	-20 to +45			
Corridor Function	10%			

Mounting Base & LED Array Linked

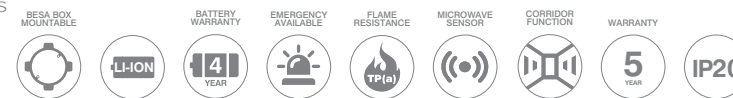
PRODUCT APPROVALS

BS EN 60598-1 BS EN 60598-2-1 BS EN 62471 BS EN 61058-1 BS EN 61347-1 BS EN 61347-2-7 BS EN 62493 BS EN 55015 BS EN 61547 BS EN 61000-3-2



28-40W Linear Batten Multi-Current LED Luminaires - 1200mm (4ft)

AVAILABLE FINISHES



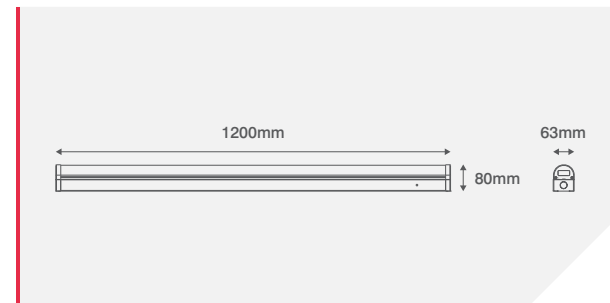
COLOUR TEMPERATURE



PRODUCT INFO				
Circuit Wattage (W)	32	36	40	45
Lumens (lm)	2940	3360	3780	4200
Lumens (lm) (Emergency)	280			
CCT (K)	4000			
Efficacy (lm/W)	91			
CRI	>80			
Beam Angle (°)	120			
LED Lifetime (Hrs)	50000			
Voltage (AC)	220-240			
Frequency (Hz)	50			
Dimmable	No			
Operating Temp (°C)	0 to +45			
Corridor Function	10%			

CODE	DESCRIPTION
OV82120EM	1200mm LED Luminaire - Emergency
OV82120MWEM	1200mm LED Luminaire - Microwave Sensor & Emergency
OV82120MWEMCF	1200mm LED Batten With Microwave Sensor Having Corridor Function & Emergency

COMPATIBLE PRODUCTS		
OVEMB6415LIS	6.4V 1500mAh LiFePo4 Battery - Serial	See page 276
OSUSS15	2 x Suspension Cable for Linear Luminaires	See page 276



PRODUCT APPROVALS

Mounting Base & LED Array Linked

BS EN 60598-1 BS EN 60598-2-1 BS EN 60598-2-22 BS EN 62471 BS EN 61058-1 BS EN 61347-1 BS EN 61347-2-7 BS EN 62493 BS EN 55015 BS EN 61547



UTILITY

UTILITY



40W Dimmable Linear LED Battens - 1200mm (4ft)



AVAILABLE FINISHES



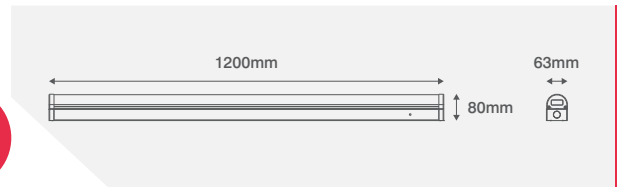
COLOUR TEMPERATURE



CODE	DESCRIPTION
OV82120DA	1200mm LED Batten With DALI
OV82120SD	1200mm LED Batten With Switch Dim

DALI & Switch Dim versions are not multi-current as standard.

COMPATIBLE PRODUCTS		
OSUSS15	2 x Suspension Cable for Linear Luminaires	See page 276



Mounting Base & LED Array Linked

PRODUCT APPROVALS

BS EN 60598-1 BS EN 60598-2-1 BS EN 62471 BS EN 61058-1 BS EN 61347-1 BS EN 61347-2-7 BS EN 55015 BS EN 61547 BS EN 61000-3-2



40W Dimmable Linear LED Battens - 1200mm (4ft)

AVAILABLE FINISHES



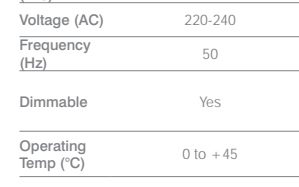
COLOUR TEMPERATURE



PRODUCT INFO	
Circuit Wattage (W)	40
Lumens (lm)	4200
Lumens (lm) (Emergency)	280
CCT (K)	4000
Efficacy (lm/W)	93
CRI	>80
Beam Angle (°)	120
LED Lifetime (Hrs)	50000
Voltage (AC)	220-240
Frequency (Hz)	50
Dimmable	Yes
Operating Temp (°C)	0 to +45

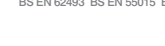
DALI & Switch Dim versions are not multi-current as standard.

COMPATIBLE PRODUCTS		
OVEMB6415LIS	6.4V 1500mAh LiFePo4 Battery - Serial	See page 276
OSUSS15	2 x Suspension Cable for Linear Luminaires	See page 276



PRODUCT APPROVALS

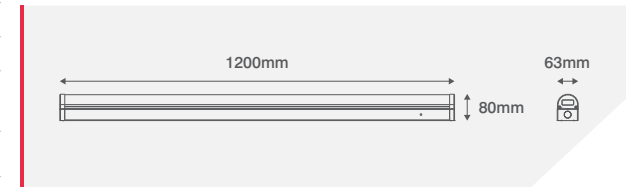
BS EN 60598-1 BS EN 60598-2-1 BS EN 60598-2-22 BS EN 62471 BS EN 61058-1 BS EN 61347-1 BS EN 62493 BS EN 55015 BS EN 61547



CODE	DESCRIPTION
OV82120EMDA	1200mm LED Batten With Emergency & DALI
OV82120EMSD	1200mm LED Batten With Emergency & Switch Dim

DALI & Switch Dim versions are not multi-current as standard.

COMPATIBLE PRODUCTS		
OVEMB6415LIS	6.4V 1500mAh LiFePo4 Battery - Serial	See page 276
OSUSS15	2 x Suspension Cable for Linear Luminaires	See page 276



Mounting Base & LED Array Linked



42-60W Linear Batten Multi-Current LED Luminaires - 1500mm (5ft)



AVAILABLE FINISHES

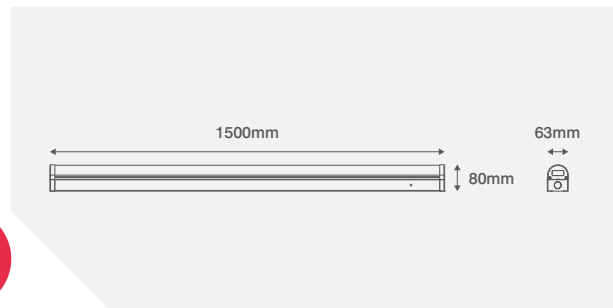


COLOUR TEMPERATURE



CODE	DESCRIPTION
OV82150	1500mm LED Luminaire
OV82150MW	1500mm LED Luminaire - Microwave Sensor
OV82150MWCF	1500mm LED Batten With Microwave Sensor Having Corridor Function

COMPATIBLE PRODUCTS		
OSUSS15	2 x Suspension Cable for Linear Luminaires	See page 276



PRODUCT INFO				
Circuit Wattage (W)	42	48	54	60
Lumens (lm)	4410	5040	5670	6300
CCT (K)	4000			
Efficacy (lm/W)	105			
CRI	>80			
Beam Angle (°)	120			
LED Lifetime (Hrs)	50000			
Voltage (AC)	220-240			
Frequency (Hz)	50			
Dimmable	No			
Operating Temp (°C)	-20 to +45			
Corridor Function	10%			

Mounting Base & LED Array Linked

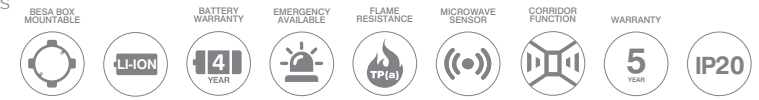
PRODUCT APPROVALS

BS EN 60598-1 BS EN 60598-2-1 BS EN 62471 BS EN 61058-1 BS EN 61347-1 BS EN 61347-2-7 BS EN 62493 BS EN 55015 BS EN 61547 BS EN 61000-3-2



42-60W Linear Batten Multi-Current LED Luminaires - 1500mm (5ft)

AVAILABLE FINISHES



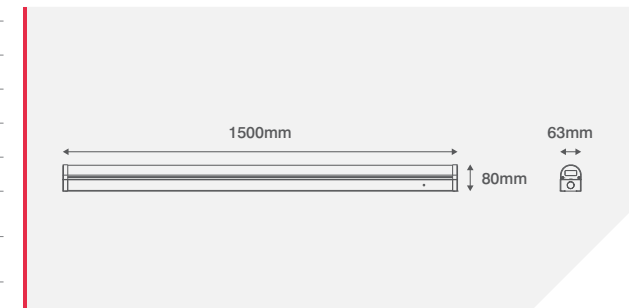
COLOUR TEMPERATURE



PRODUCT INFO				
Circuit Wattage (W)	44	52	58	64
Lumens (lm)	4410	5040	5670	6300
Lumens (lm) (Emergency)	280			
CCT (K)	4000			
Efficacy (lm/W)	100			
CRI	>80			
Beam Angle (°)	120			
LED Lifetime (Hrs)	50000			
Voltage (AC)	220-240			
Frequency (Hz)	50			
Dimmable	No			
Operating Temp (°C)	0 to +45			
Corridor Function	10%			

CODE	DESCRIPTION
OV82150EM	1500mm LED Luminaire - Emergency
OV82150MWEM	1500mm LED Luminaire - Microwave Sensor & Emergency
OV82150MWEMCF	1500mm LED Batten With Microwave Sensor Having Corridor Function & Emergency

COMPATIBLE PRODUCTS		
OVEMB6415LIS	6.4V 1500mAh LiFePo4 Battery - Serial	See page 276
OSUSS15	2 x Suspension Cable for Linear Luminaires	See page 276



PRODUCT APPROVALS

Mounting Base & LED Array Linked

BS EN 60598-1 BS EN 60598-2-1 BS EN 60598-2-22 BS EN 62471 BS EN 61058-1 BS EN 61347-1 BS EN 61347-2-7 BS EN 62493 BS EN 55015 BS EN 61547



60W Dimmable Linear LED Battens - 1500mm (5ft)



AVAILABLE FINISHES



COLOUR TEMPERATURE



CODE	DESCRIPTION	PRODUCT INFO
OV82150DA	1500mm LED Batten With DALI	Circuit Wattage (W)
OV82150SD	1500mm LED Batten With Switch Dim	Lumens (lm)
DALI & Switch Dim versions are not multi-current as standard.		CCT (K)
Efficacy (lm/W)		105
COMPATIBLE PRODUCTS		CRI
OSUSS15	2 x Suspension Cable for Linear Luminaires See page 276	>80
Beam Angle (°)		120
LED Lifetime (Hrs)		50000
Voltage (AC)		220-240
Frequency (Hz)		50
Dimmable		Yes
Operating Temp (°C)		-20 to +45



Mounting Base & LED Array Linked

PRODUCT APPROVALS

BS EN 60598-1 BS EN 60598-2-1 BS EN 62471 BS EN 61058-1 BS EN 61347-1 BS EN 61347-2-7 BS EN 55015 BS EN 61547 BS EN 61000-3-2



60W Dimmable Linear LED Battens - 1500mm (5ft)

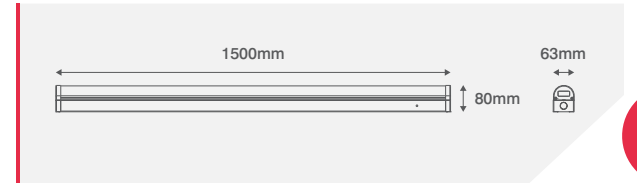
AVAILABLE FINISHES



COLOUR TEMPERATURE



PRODUCT INFO	CODE	DESCRIPTION
Circuit Wattage (W)	OV82150EMDA	1500mm LED Batten With Emergency & DALI
Lumens (lm)	OV82150EMSD	1500mm LED Batten With Emergency & Switch Dim
Lumens (lm) (Emergency)	DALI & Switch Dim versions are not multi-current as standard.	
CCT (K)	COMPATIBLE PRODUCTS	
Efficacy (lm/W)	OVEMB6415LIS	6.4V 1500mAh LiFePo4 Battery - Serial See page 276
CRI	OSUSS15	2 x Suspension Cable for Linear Luminaires See page 276
Beam Angle (°)	120	
LED Lifetime (Hrs)	50000	
Voltage (AC)	220-240	
Frequency (Hz)	50	
Dimmable	Yes	
Operating Temp (°C)	0 to +45	



PRODUCT APPROVALS

Mounting Base & LED Array Linked

BS EN 60598-1 BS EN 60598-2-1 BS EN 60598-2-22 BS EN 62471 BS EN 61058-1 BS EN 61347-1 BS EN 62493 BS EN 55015 BS EN 61547



UTILITY

UTILITY



50-70W Linear Batten Multi-Current LED Luminaires - 1800mm (6ft)



AVAILABLE FINISHES

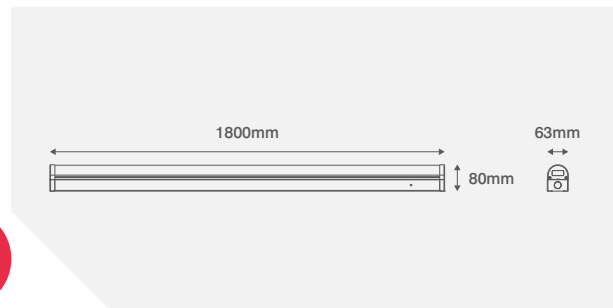


COLOUR TEMPERATURE



CODE	DESCRIPTION
OV82180	1800mm LED Luminaire
OV82180MW	1800mm LED Luminaire - Microwave Sensor
OV82180MWCF	1800mm LED Batten With Microwave Sensor Having Corridor Function

COMPATIBLE PRODUCTS		
OSUSS15	2 x Suspension Cable for Linear Luminaires	See page 276



PRODUCT INFO				
Circuit Wattage (W)	50	58	64	70
Lumens (lm)	5250	6090	6720	7350
CCT (K)	4000			
Efficacy (lm/W)	105			
CRI	>80			
Beam Angle (°)	120			
LED Lifetime (Hrs)	50000			
Voltage (AC)	220-240			
Frequency (Hz)	50			
Dimmable	No			
Operating Temp (°C)	-20 to +45			
Corridor Function	10%			

Mounting Base & LED Array Linked

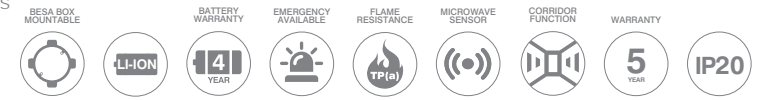
PRODUCT APPROVALS

BS EN 60598-1 BS EN 60598-2-1 BS EN 62471 BS EN 61058-1 BS EN 61347-1 BS EN 61347-2-7 BS EN 62493 BS EN 55015 BS EN 61547 BS EN 61000-3-2



50-70W Linear Batten Multi-Current LED Luminaires - 1800mm (6ft)

AVAILABLE FINISHES



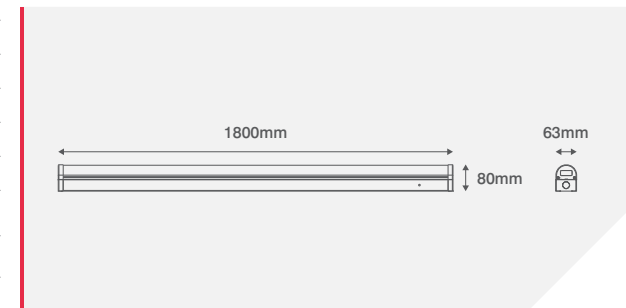
COLOUR TEMPERATURE



PRODUCT INFO				
Circuit Wattage (W)	54	62	68	74
Lumens (lm)	5250	6090	6720	7350
Lumens (lm) (Emergency)	280			
CCT (K)	4000			
Efficacy (lm/W)	97			
CRI	>80			
Beam Angle (°)	120			
LED Lifetime (Hrs)	50000			
Voltage (AC)	220-240			
Frequency (Hz)	50			
Dimmable	No			
Operating Temp (°C)	0 to +45			
Corridor Function	10%			

CODE	DESCRIPTION
OV82180EM	1800mm LED Luminaire - Emergency
OV82180MWEM	1800mm LED Luminaire - Microwave Sensor & Emergency
OV82180MWEMCF	1800mm LED Batten With Microwave Sensor Having Corridor Function & Emergency

COMPATIBLE PRODUCTS		
OVEMB6415LIS	6.4V 1500mAh LiFePo4 Battery - Serial	See page 276
OSUSS15	2 x Suspension Cable for Linear Luminaires	See page 276



PRODUCT APPROVALS

Mounting Base & LED Array Linked

BS EN 60598-1 BS EN 60598-2-1 BS EN 60598-2-22 BS EN 62471 BS EN 61058-1 BS EN 61347-1 BS EN 61347-2-7 BS EN 62493 BS EN 55015 BS EN 61547



70W Dimmable Linear LED Battens - 1800mm (6ft)



AVAILABLE FINISHES

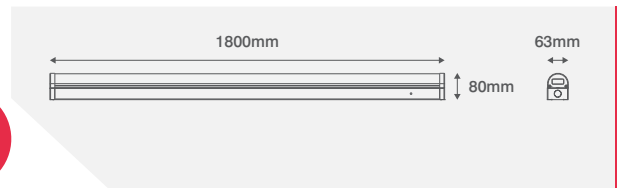


COLOUR TEMPERATURE



CODE	DESCRIPTION
OV82180DA	1800mm LED Batten With DALI
OV82180SD	1800mm LED Batten With Switch Dim
DALI & Switch Dim versions are not multi-current as standard.	
COMPATIBLE PRODUCTS	
OSUSS15	2 x Suspension Cable for Linear Luminaires See page 276

PRODUCT INFO	
Circuit Wattage (W)	
Lumens (lm)	7350
CCT (K)	4000
Efficacy (lm/W)	105
CRI	>80
Beam Angle (°)	120
LED Lifetime (Hrs)	50000
Voltage (AC)	220-240
Frequency (Hz)	50
Dimmable	Yes
Operating Temp (°C)	-20 to +45



Mounting Base & LED Array Linked

PRODUCT APPROVALS

BS EN 60598-1 BS EN 60598-2-1 BS EN 62471 BS EN 61058-1 BS EN 61347-1 BS EN 61347-2-7 BS EN 55015 BS EN 61547 BS EN 61000-3-2



70W Dimmable Linear LED Battens - 1800mm (6ft)

AVAILABLE FINISHES



COLOUR TEMPERATURE



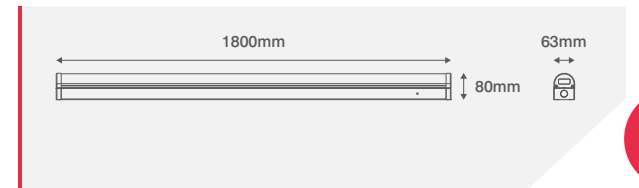
PRODUCT INFO	
Circuit Wattage (W)	
Lumens (lm)	7350
Lumens (lm) (Emergency)	280
CCT (K)	4000
Efficacy (lm/W)	99
CRI	>80
Beam Angle (°)	120
LED Lifetime (Hrs)	50000
Voltage (AC)	220-240
Frequency (Hz)	50
Dimmable	Yes
Operating Temp (°C)	0 to +45

PRODUCT APPROVALS

BS EN 60598-1 BS EN 60598-2-1 BS EN 60598-2-22 BS EN 62471 BS EN 61058-1 BS EN 61347-1 BS EN 62493 BS EN 55015 BS EN 61547



CODE	DESCRIPTION
OV82180EMDA	1800mm LED Batten With Emergency & DALI
OV82180EMSD	1800mm LED Batten With Emergency & Switch Dim
DALI & Switch Dim versions are not multi-current as standard.	
COMPATIBLE PRODUCTS	
OVEMB6415LIS	6.4V 1500mAh LiFePo4 Battery - Serial See page 276
OSUSS15	2 x Suspension Cable for Linear Luminaires See page 276



Mounting Base & LED Array Linked



UTILITY

UTILITY



INCEPTOR® U-LITE

Linear LED Lights

Inceptor U-Lite is a non-corrosive design, protected against the elements, each length is available in a single lamp and a twin lamp equivalent output.

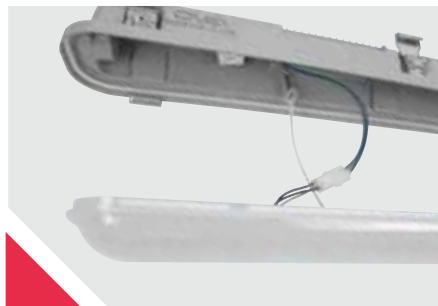
Slimline Design

Our twin retro fit alternative does not increase in width. Available in 3 different lengths...



Detachable Diffuser & Gear Tray Assembly

Gear tray and diffuser assembly can be disconnected and removed for lighter/simple installation of base. Handy Molex connector for easy disconnection of components and drivers.



Lithium Battery

Our Emergency versions come supplied with Lithium batteries.



Self Test AS STANDARD

Self-Test emergency lighting checks itself automatically to ensure that the battery and lamp in each emergency light are fully operational.



CCT Switch

All models can change between: 4000K | 5000K | 6500K

Multiple Terminal Block Mounting Options

Gland entry points are at each end of the base with 3 mounting points for the 4 pole terminal block. Position to align with incoming cables and/or match pre-existing wiring. Molex connector can be disconnected to allow the terminal block to be moved for best possible installation.



Transparent frosted polycarbonate cover

Dispenses light outward with an even light spread.

Steel gear tray

Holds the LED Strip and surface mounted drivers.

LED power supply

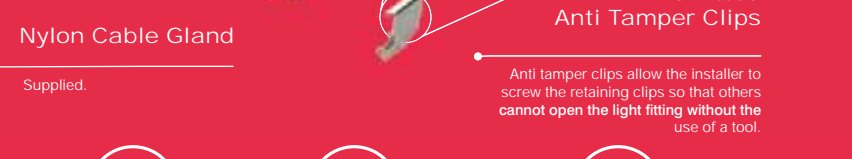
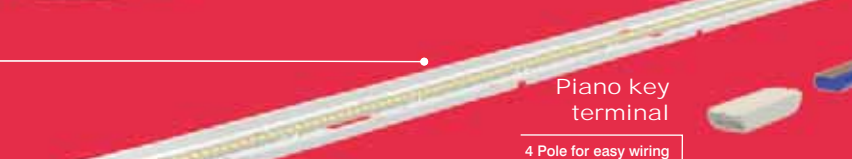
High and Low wattage variants

Microwave sensor (if applicable)

Motion detection and Lux level sensing

IP rated silicone seal

To Ensure the luminaire internal components are protected from the elements (IP65).



Corridor Function Version

Microwave Sensor Version Available

Emergency Version Available

Self Test As Standard
Self-Test emergency lighting checks itself automatically to ensure that the battery and lamp in each emergency light are fully operational.

Pre-Fitted Anti Tamper Clips

Anti tamper clips allow the installer to screw the retaining clips so that others cannot open the light fitting without the use of a tool.

Nylon Cable Gland
Supplied.

Piano key terminal

4 Pole for easy wiring and quick installation.

21W IP65 Linear LED Utility Luminaires - CCT - 1200mm (4ft)

AVAILABLE FINISHES

IP65 WARRANTY 5 YEAR CORRIDOR FUNCTION EMERGENCY AVAILABLE BATTERY WARRANTY 4 YEAR LI-ION MICROWAVE SENSOR SELF TEST AVAILABLE SELF TEST

GREY



CCT ON SITE WARRANTY

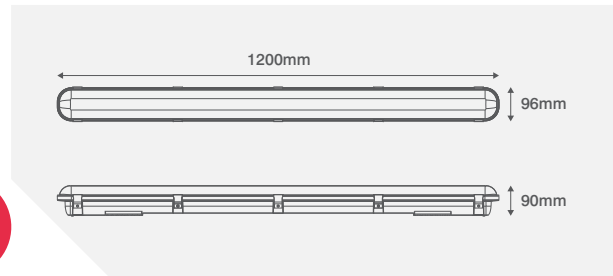
COLOUR TEMPERATURE

4000K 5000K 6500K

CODE	DESCRIPTION
OV81121	1200mm LED Luminaire
OV81121MW	1200mm LED Luminaire With Microwave Sensor
OV81121EM	1200mm LED Luminaire With Emergency
OV81121MWEM	1200mm LED Luminaire With Microwave Sensor & Emergency
OV81121MWCF	1200mm LED Luminaire With Microwave Sensor Having Corridor Function
OV81121MWEMCF	1200mm LED Luminaire With Microwave Sensor Having Corridor Function & Emergency

PRODUCT INFO			
CCT	4000	5000	6500
Circuit Wattage (W)	21		
Emergency Circuit Wattage (W)	23		
Lumens (lm)	2520	2625	2520
Emergency Lumens (lm)	450		
Efficacy (lm/W)	120	125	120
Emergency Efficacy (lm/W)	110	114	110
CRI	>80		
Beam Angle (°)	120		
LED Lifetime (Hrs)	50,000		
Voltage (AC)	220-240		
Frequency (Hz)	50/60		
Dimmable	Yes on Corridor Function Fittings Only		
Operating Temp (°C)	-25 to +50		
Emergency Operating Temp (°C)	0 to +40		
Corridor Function	10%		

COMPATIBLE PRODUCTS		
OVEMB643OLIS	6.4V 3000mAh LiFePo4 Battery - Serial	See page 276



PRODUCT APPROVALS

BS EN 60598-1; BS EN 60598-2-1; BS EN 62471; BS EN 61058-1; BS EN 61347-1; BS EN 61347-2-7; BS EN 62493; BS EN 55015; BS EN 61547; BS EN 61000-3-2; BS EN 61000-3-3



21W IP65 Dimmable Linear LED Utility Luminaires - CCT - 1200mm (4ft)

AVAILABLE FINISHES

EMERGENCY AVAILABLE BATTERY WARRANTY 4 YEAR WARRANTY 5 YEAR DIMMABLE IP65

GREY



COLOUR TEMPERATURE

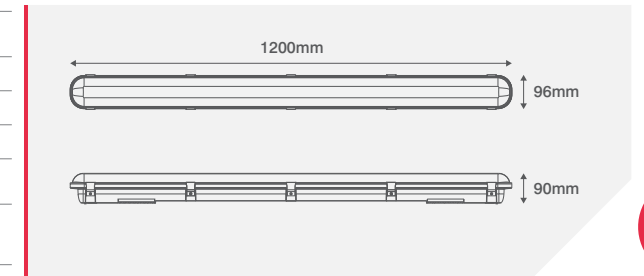
4000K 5000K 6500K

ON SITE WARRANTY CCT

PRODUCT INFO			
CCT	4000	5000	6500
Circuit Wattage (W)	21		
Emergency Circuit Wattage (W)	23		
Lumens (lm)	2520	2625	2520
Emergency Lumens (lm)	450		
Efficacy (lm/W)	120	125	120
Emergency Efficacy (lm/W)	110	114	110
CRI	>80		
Beam Angle (°)	120		
LED Lifetime (Hrs)	50,000		
Voltage (AC)	220-240		
Frequency (Hz)	50/60		
Dimmable	Yes		
Operating Temp (°C)	-25 to +50		
Emergency Operating Temp (°C)	0 to +40		

CODE	DESCRIPTION
OV81121DA	1200mm LED Luminaire With DALI
OV81121SD	1200mm LED Luminaire With Switch Dim
OV81121EMDA	1200mm LED Luminaire With Emergency & DALI
OV81121EMSD	1200mm LED Luminaire With Emergency & Switch Dim

COMPATIBLE PRODUCTS		
OVEMB643OLIS	6.4V 3000mAh LiFePo4 Battery - Serial	See page 276



PRODUCT APPROVALS

BS EN 60598-1; BS EN 60598-2-1; BS EN 60598-2-22; BS EN 62471; BS EN 61058-1; BS EN 61347-1; BS EN 61347-2-7; BS EN 62493; BS EN 55015; BS EN 61547; BS EN 61000-3-2; BS EN 61000-3-3

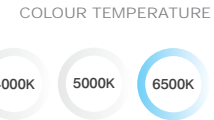


UTILITY

UTILITY



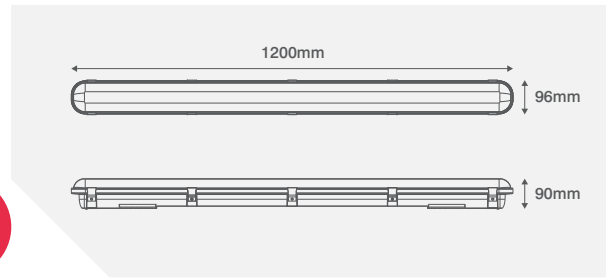
39W IP65 Linear LED Utility Luminaires - CCT - 1200mm (4ft)



CODE	DESCRIPTION
OV81122	1200mm LED Luminaire
OV81122MW	1200mm LED Luminaire With Microwave Sensor
OV81122EM	1200mm LED Luminaire With Emergency
OV81122MWEM	1200mm LED Luminaire With Microwave Sensor & Emergency
OV81122MWCF	1200mm LED Luminaire With Microwave Sensor Having Corridor Function
OV81122MWEMCF	1200mm LED Luminaire With Microwave Sensor Having Corridor Function & Emergency

PRODUCT INFO			
CCT	4000	5000	6500
Circuit Wattage (W)	39		
Emergency Circuit Wattage (W)	41		
Lumens (lm)	4680	4875	4680
Emergency Lumens (lm)	450		
Efficacy (lm/W)	120	125	120
Emergency Efficacy (lm/W)	114	119	114
CRI	>80		
Beam Angle (°)	120		
LED Lifetime (Hrs)	50,00		
Voltage (AC)	220-240		
Frequency (Hz)	50/60		
Dimmable	Yes on Corridor Function Fittings Only		
Operating Temp (°C)	-25 to +50		
Emergency Operating Temp (°C)	0 to +40		
Corridor Function	10%		

COMPATIBLE PRODUCTS		
OVEMB643OLIS	6.4V 3000mAh LiFePo4 Battery - Serial	See page 276

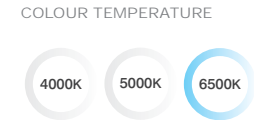


PRODUCT APPROVALS

BS EN 60598-1; BS EN 60598-2-1; BS EN 62471; BS EN 61058-1; BS EN 61347-1; BS EN 61347-2-7; BS EN 62493; BS EN 55015; BS EN 61547; BS EN 61000-3-2; BS EN 61000-3-3



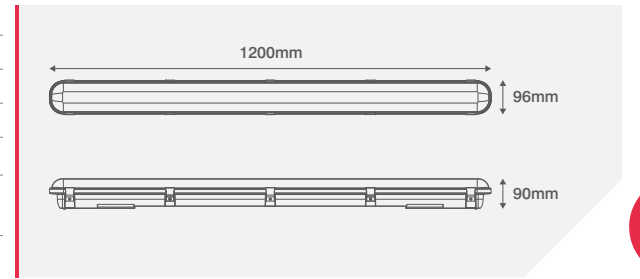
39W IP65 Dimmable Linear LED Utility Luminaires - CCT - 1200mm (4ft)



PRODUCT INFO			
CCT	4000	5000	6500
Circuit Wattage (W)	39		
Emergency Circuit Wattage (W)	41		
Lumens (lm)	4680	4875	4680
Emergency Lumens (lm)	450		
Efficacy (lm/W)	120	125	120
Emergency Efficacy (lm/W)	114	119	114
CRI	>80		
Beam Angle (°)	120		
LED Lifetime (Hrs)	50,000		
Voltage (AC)	220-240		
Frequency (Hz)	50/60		
Dimmable	Yes		
Operating Temp (°C)	-25 to +50		
Emergency Operating Temp (°C)	0 to +40		
Corridor Function	10%		

CODE	DESCRIPTION
OV81122DA	1200mm LED Luminaire With DALI
OV81122SD	1200mm LED Luminaire With Switch Dim
OV81122EMDA	1200mm LED Luminaire With Emergency & DALI
OV81122EMSD	1200mm LED Luminaire With Emergency & Switch Dim

COMPATIBLE PRODUCTS		
OVEMB643OLIS	6.4V 3000mAh LiFePo4 Battery - Serial	See page 276



PRODUCT APPROVALS

BS EN 60598-1; BS EN 60598-2-1; BS EN 60598-2-22; BS EN 62471; BS EN 61058-1; BS EN 61347-1; BS EN 61347-2-7; BS EN 62493; BS EN 55015; BS EN 61547; BS EN 61000-3-2; BS EN 61000-3-3



UTILITY

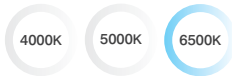
UTILITY



30W IP65 Linear LED Utility Luminaires - CCT - 1500mm (5ft)



COLOUR TEMPERATURE

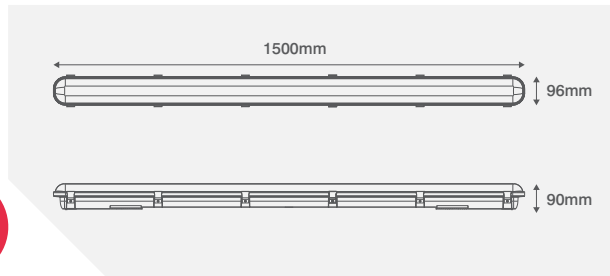


CODE	DESCRIPTION
OV81151	1500mm LED Luminaire
OV81151MW	1500mm LED Luminaire With Microwave Sensor
OV81151EM	1500mm LED Luminaire With Emergency
OV81151MWEM	1500mm LED Luminaire With Microwave Sensor & Emergency
OV81151MWCF	1500mm LED Luminaire With Microwave Sensor Having Corridor Function
OV81151MWEMCF	1500mm LED Luminaire With Microwave Sensor Having Corridor Function & Emergency

PRODUCT INFO			
CCT	4000	5000	6500
Circuit Wattage (W)	30		
Emergency Circuit Wattage (W)	32		
Lumens (lm)	3600	3750	3600
Emergency Lumens (lm)	450		
Efficacy (lm/W)	120	125	120
Emergency Efficacy (lm/W)	113	117	113
CRI	>80		
Beam Angle (°)	120		
LED Lifetime (Hrs)	50,000		
Voltage (AC)	220-240		
Frequency (Hz)	50/60		
Dimmable	Yes on Corridor Function Fittings Only		
Operating Temp (°C)	-25 to +50		
Emergency Operating Temp (°C)	0 to +40		
Corridor Function	10%		

COMPATIBLE PRODUCTS

OVEMB643OLIS	6.4V 3000mAh LiFePo4 Battery - Serial	See page 276
--------------	---------------------------------------	--------------



PRODUCT APPROVALS

BS EN 60598-1; BS EN 60598-2-1; BS EN 62471; BS EN 61058-1; BS EN 61347-1; BS EN 61347-2-7; BS EN 62493; BS EN 55015; BS EN 61547; BS EN 61000-3-2; BS EN 61000-3-3



30W IP65 Dimmable Linear LED Utility Luminaires - CCT - 1500mm (5ft)



COLOUR TEMPERATURE

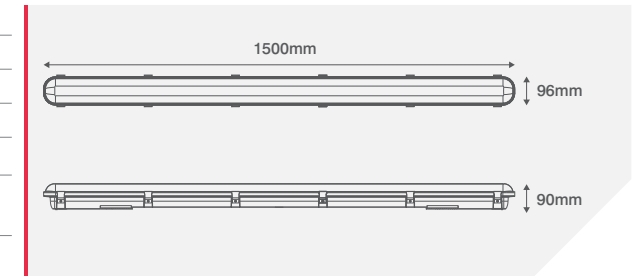


PRODUCT INFO			
CCT	4000	5000	6500
Circuit Wattage (W)	30		
Emergency Circuit Wattage (W)	32		
Lumens (lm)	3600	3750	3600
Emergency Lumens (lm)	450		
Efficacy (lm/W)	120	125	120
Emergency Efficacy (lm/W)	113	117	113
CRI	>80		
Beam Angle (°)	120		
LED Lifetime (Hrs)	50,000		
Voltage (AC)	220-240		
Frequency (Hz)	50/60		
Dimmable	Yes		
Operating Temp (°C)	-25 to +50		
Emergency Operating Temp (°C)	0 to +40		
Corridor Function	10%		

CODE	DESCRIPTION
OV81151DA	1500mm LED Luminaire With DALI
OV81151SD	1500mm LED Luminaire With Switch Dim
OV81151EMDA	1500mm LED Luminaire With Emergency & DALI
OV81151EMSD	1500mm LED Luminaire With Emergency & Switch Dim

COMPATIBLE PRODUCTS

OVEMB643OLIS	6.4V 3000mAh LiFePo4 Battery - Serial	See page 276
--------------	---------------------------------------	--------------



PRODUCT APPROVALS

BS EN 60598-1; BS EN 60598-2-1; BS EN 60598-2-22; BS EN 62471; BS EN 61058-1; BS EN 61347-1; BS EN 61347-2-7; BS EN 62493; BS EN 55015; BS EN 61547; BS EN 61000-3-2; BS EN 61000-3-3



UTILITY

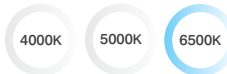
UTILITY



52W IP65 Linear LED Utility Luminaires - CCT - 1500mm (5ft)



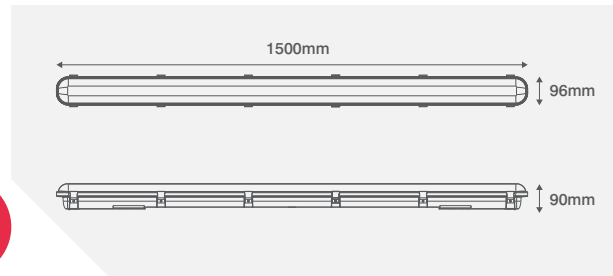
COLOUR TEMPERATURE



CODE	DESCRIPTION
OV81152	1500mm LED Luminaire
OV81152MW	1500mm LED Luminaire With Microwave Sensor
OV81152EM	1500mm LED Luminaire With Emergency
OV81152MWEM	1500mm LED Luminaire With Microwave Sensor & Emergency
OV81152MWCF	1500mm LED Luminaire With Microwave Sensor Having Corridor Function
OV81152MWEMCF	1500mm LED Luminaire With Microwave Sensor Having Corridor Function & Emergency

PRODUCT INFO			
CCT	4000	5000	6500
Circuit Wattage (W)	52		
Emergency Circuit Wattage (W)	54		
Lumens (lm)	6400	6760	6400
Emergency Lumens (lm)	450		
Efficacy (lm/W)	123	130	123
Emergency Efficacy (lm/W)	119	125	119
CRI	>80		
Beam Angle (°)	120		
LED Lifetime (Hrs)	50,000		
Voltage (AC)	220-240		
Frequency (Hz)	50/60		
Dimmable	Yes on Corridor Function Fittings Only		
Operating Temp (°C)	-25 to +50		
Emergency Operating Temp (°C)	0 to +40		
Corridor Function	10%		

COMPATIBLE PRODUCTS		
OVEMB643OLIS	6.4V 3000mAh LiFePo4 Battery - Serial	See page 276



PRODUCT APPROVALS

BS EN 60598-1; BS EN 60598-2-1; BS EN 62471; BS EN 61058-1; BS EN 61347-1; BS EN 61347-2-7; BS EN 62493; BS EN 55015; BS EN 61547; BS EN 61000-3-2; BS EN 61000-3-3



52W IP65 Dimmable Linear LED Utility Luminaires - CCT - 1500mm (5ft)



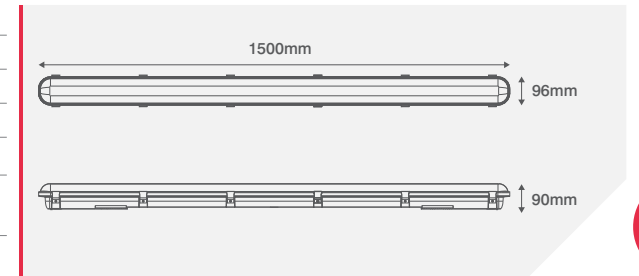
COLOUR TEMPERATURE



PRODUCT INFO			
CCT	4000	5000	6500
Circuit Wattage (W)	52		
Emergency Circuit Wattage (W)	54		
Lumens (lm)	6400	6760	6400
Emergency Lumens (lm)	450		
Efficacy (lm/W)	123	130	123
Emergency Efficacy (lm/W)	119	125	119
CRI	>80		
Beam Angle (°)	120		
LED Lifetime (Hrs)	50,000		
Voltage (AC)	220-240		
Frequency (Hz)	50/60		
Dimmable	Yes		
Operating Temp (°C)	-25 to +50		
Emergency Operating Temp (°C)	0 to +40		
Corridor Function	10%		

CODE	DESCRIPTION
OV81152DA	1500mm LED Luminaire With DALI
OV81152SD	1500mm LED Luminaire With Switch Dim
OV81152EMDA	1500mm LED Luminaire With Emergency & DALI
OV81152EMSD	1500mm LED Luminaire With Emergency & Switch Dim

COMPATIBLE PRODUCTS		
OVEMB643OLIS	6.4V 3000mAh LiFePo4 Battery - Serial	See page 276



PRODUCT APPROVALS

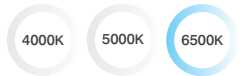
BS EN 60598-1; BS EN 60598-2-1; BS EN 60598-2-22; BS EN 62471; BS EN 61058-1; BS EN 61347-1; BS EN 61347-2-7; BS EN 62493; BS EN 55015; BS EN 61547; BS EN 61000-3-2; BS EN 61000-3-3



34W IP65 Linear LED Utility Luminaires - CCT - 1800mm (6ft)



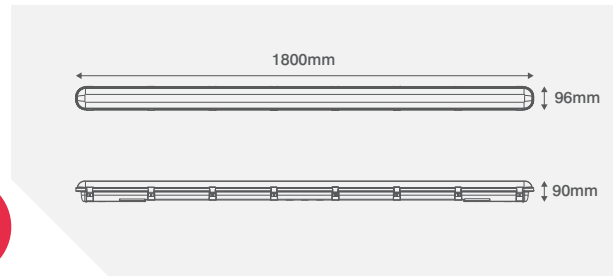
COLOUR TEMPERATURE



CODE	DESCRIPTION
OV81181	1800mm LED Luminaire
OV81181MW	1800mm LED Luminaire With Microwave Sensor
OV81181EM	1800mm LED Luminaire With Emergency
OV81181MWEM	1800mm LED Luminaire With Microwave Sensor & Emergency
OV81181MWCF	1800mm LED Luminaire With Microwave Sensor Having Corridor Function
OV81181MWEMCF	1800mm LED Luminaire With Microwave Sensor Having Corridor Function & Emergency

PRODUCT INFO			
CCT	4000	5000	6500
Circuit Wattage (W)	34		
Emergency Circuit Wattage (W)	36		
Lumens (lm)	4080	4250	4080
Emergency Lumens (lm)	450		
Efficacy (lm/W)	120	125	120
Emergency Efficacy (lm/W)	113	118	113
CRI	>80		
Beam Angle (°)	120		
LED Lifetime (Hrs)	50,000		
Voltage (AC)	220-240		
Frequency (Hz)	50/60		
Dimmable	Yes on Corridor Function Fittings Only		
Operating Temp (°C)	-25 to +50		
Emergency Operating Temp (°C)	0 to +40		
Corridor Function	10%		

COMPATIBLE PRODUCTS		
OVEMB643OLIS	6.4V 3000mAh LiFePo4 Battery - Serial	See page 276



PRODUCT APPROVALS

BS EN 60598-1; BS EN 60598-2-1; BS EN 62471; BS EN 61058-1; BS EN 61347-1; BS EN 61347-2-7; BS EN 62493; BS EN 55015; BS EN 61547; BS EN 61000-3-2; BS EN 61000-3-3



34W IP65 Dimmable Linear LED Utility Luminaires - CCT - 1800mm (6ft)



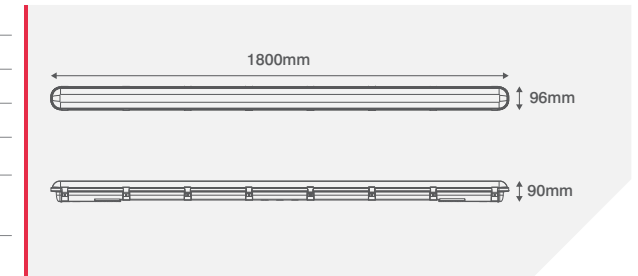
COLOUR TEMPERATURE



PRODUCT INFO			
CCT	4000	5000	6500
Circuit Wattage (W)	34		
Emergency Circuit Wattage (W)	36		
Lumens (lm)	4080	4250	4080
Emergency Lumens (lm)	450		
Efficacy (lm/W)	120	125	120
Emergency Efficacy (lm/W)	113	118	113
CRI	>80		
Beam Angle (°)	120		
LED Lifetime (Hrs)	50,000		
Voltage (AC)	220-240		
Frequency (Hz)	50/60		
Dimmable	Yes		
Operating Temp (°C)	-25 to +50		
Emergency Operating Temp (°C)	0 to +40		
Corridor Function	10%		

CODE	DESCRIPTION
OV81181DA	1800mm LED Luminaire With DALI
OV81181SD	1800mm LED Luminaire With Switch Dim
OV81181EMDA	1800mm LED Luminaire With Emergency & DALI
OV81181EMSD	1800mm LED Luminaire With Emergency & Switch Dim

COMPATIBLE PRODUCTS		
OVEMB643OLIS	6.4V 3000mAh LiFePo4 Battery - Serial	See page 276



PRODUCT APPROVALS

BS EN 60598-1; BS EN 60598-2-1; BS EN 60598-2-22; BS EN 62471; BS EN 61058-1; BS EN 61347-1; BS EN 61347-2-7; BS EN 62493; BS EN 55015; BS EN 61547; BS EN 61000-3-2; BS EN 61000-3-3



UTILITY

UTILITY

62W IP65 Linear LED Utility Luminaires - CCT - 1800mm (6ft)

AVAILABLE FINISHES

IP65 WARRANTY 5 YEAR CORRIDOR FUNCTION EMERGENCY AVAILABLE BATTERY WARRANTY 4 YEAR LI-ION MICROWAVE SENSOR SELF TEST AVAILABLE SELF TEST

GREY

CCT ON SITE WARRANTY



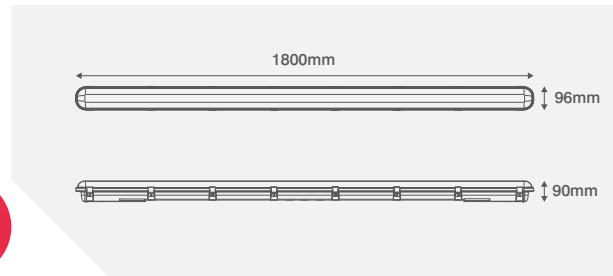
COLOUR TEMPERATURE

4000K 5000K 6500K

CODE	DESCRIPTION
OV81182	1800mm LED Luminaire
OV81182MW	1800mm LED Luminaire With Microwave Sensor
OV81182EM	1800mm LED Luminaire With Emergency
OV81182MWEM	1800mm LED Luminaire With Microwave Sensor & Emergency
OV81182MWCF	1800mm LED Luminaire With Microwave Sensor Having Corridor Function
OV81182MWEMCF	1800mm LED Luminaire With Microwave Sensor Having Corridor Function & Emergency

PRODUCT INFO			
CCT	4000	5000	6500
Circuit Wattage (W)	62		
Emergency Circuit Wattage (W)	64		
Lumens (lm)	8200	8500	8200
Emergency Lumens (lm)	450		
Efficacy (lm/W)	132	137	132
Emergency Efficacy (lm/W)	128	133	128
CRI	>80		
Beam Angle (°)	120		
LED Lifetime (Hrs)	50,000		
Voltage (AC)	220-240		
Frequency (Hz)	50/60		
Dimmable	Yes on Corridor Function Fittings Only		
Operating Temp (°C)	-25 to +50		
Emergency Operating Temp (°C)	0 to +40		
Corridor Function	10%		

COMPATIBLE PRODUCTS		
OVEMB643OLIS	6.4V 3000mAh LiFePo4 Battery - Serial	See page 276



PRODUCT APPROVALS

BS EN 60598-1; BS EN 60598-2-1; BS EN 62471; BS EN 61058-1; BS EN 61347-1; BS EN 61347-2-7; BS EN 62493; BS EN 55015; BS EN 61547; BS EN 61000-3-2; BS EN 61000-3-3



62W IP65 Dimmable Linear LED Utility Luminaires - CCT - 1800mm (6ft)

AVAILABLE FINISHES

EMERGENCY AVAILABLE BATTERY WARRANTY 4 YEAR WARRANTY 5 YEAR DIMMABLE IP65

GREY

COLOUR TEMPERATURE

4000K 5000K 6500K

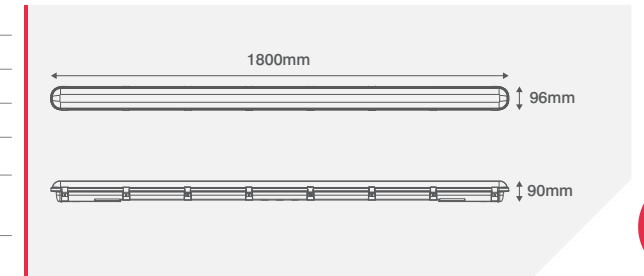
ON SITE WARRANTY CCT



PRODUCT INFO			
CCT	4000	5000	6500
Circuit Wattage (W)	62		
Emergency Circuit Wattage (W)	64		
Lumens (lm)	8200	8500	8200
Emergency Lumens (lm)	450		
Efficacy (lm/W)	132	137	132
Emergency Efficacy (lm/W)	128	133	128
CRI	>80		
Beam Angle (°)	120		
LED Lifetime (Hrs)	50,000		
Voltage (AC)	220-240		
Frequency (Hz)	50/60		
Dimmable	Yes		
Operating Temp (°C)	-25 to +50		
Emergency Operating Temp (°C)	0 to +40		
Corridor Function	10%		

CODE	DESCRIPTION
OV81182DA	1800mm LED Luminaire With DALI
OV81182SD	1800mm LED Luminaire With Switch Dim
OV81182EMDA	1800mm LED Luminaire With Emergency & DALI
OV81182EMSD	1800mm LED Luminaire With Emergency & Switch Dim

COMPATIBLE PRODUCTS		
OVEMB643OLIS	6.4V 3000mAh LiFePo4 Battery - Serial	See page 276



PRODUCT APPROVALS

BS EN 60598-1; BS EN 60598-2-1; BS EN 60598-2-22; BS EN 62471; BS EN 61058-1; BS EN 61347-1; BS EN 61347-2-7; BS EN 62493; BS EN 55015; BS EN 61547; BS EN 61000-3-2; BS EN 61000-3-3



UTILITY

UTILITY

U-LITE



Linear LED Luminaire

Our non-corrosive design, protected against the elements, U-Lite fittings are available in 3 different lengths and each length is available in a single fluorescent lamp equivalent and a twin lamp equivalent output.

Slimline Design

Our twin retro fit alternative does not increase in width. Available in 3 different lengths...



1200mm (4ft)



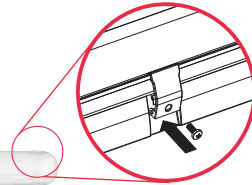
1500mm (5ft)




1800mm (6ft)

Pre-Fitted Anti Tamper Clips

Anti tamper clips allow the installer to screw the retaining clips so that others cannot open the light fitting without the use of a tool.





Lithium Battery

Favoured for its safety, economy and efficiency our Emergency versions come supplied with Lithium batteries. Lithium batteries benefit from being more energy efficient and have a longer life making them perfect for our Emergency products within this range.

Captive Diffuser

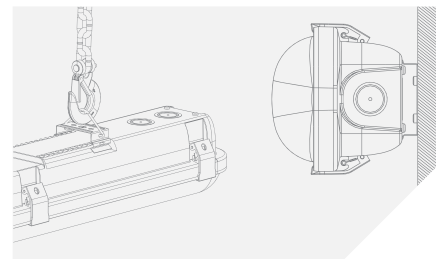
By integrating the diffuser & gear tray and anchoring them to the base, the U-Lite ensures a hassle-free installation. Complete your installation without having to fully disassemble the product to mount and wire it. **Never lose parts!** With everything you need pre-fitted to the base you'll never have to worry about misplaced control gear.



Easy Install

Our U-Lite LED Luminaires are suitable for wall, ceiling or suspension mounting and its adjustable fixing centres allow for easy retrofit instalment.

The addition of Push Fit Terminals offers fast, simple and clear installation.



Transparent frosted polycarbonate cover

Dispenses light outward with an even light spread.

Microwave sensor (if applicable)

Motion detection to allow energy savings.

Steel gear tray

Holds the LED Strip, Microwave Sensor and Emergency LED (If Applicable).

IP rated expanded silicone seal

To ensure the luminaire internal components are protected from the elements (IP65).

LED power supply

Allows power distribution to the Luminaire.

4/5 piano key terminal

For easy wiring and quick installation.

Gear tray hinge

Safety aspect to allow the cover to not fall out if clips are opened.

Light weight polycarbonate base

Holds all the internal components and drivers.

Emergency driver and battery (if applicable)

Battery-backed device that switches on if power outages are present.

Stainless steel assembly clips

Holds the base to the cover whilst making it quick and easy for the installer.

The image shown above demonstrates the microwave & emergency 6ft product.



Microwave Sensor Version Available



Emergency Version Available

21W IP65 Linear LED Utility Luminaires - 1200mm (4ft)



AVAILABLE FINISHES



COLOUR TEMPERATURE

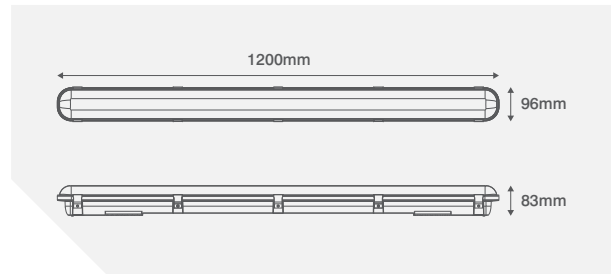


CODE	DESCRIPTION
OV80121	1200mm LED Luminaire
OV80121EM	1200mm LED Luminaire With Emergency
OV80121MW	1200mm LED Luminaire With Microwave Sensor
OV80121MWEM	1200mm LED Luminaire With Microwave Sensor & Emergency
OV80121MWCF	1200mm LED Luminaire With Microwave Sensor Having Corridor Function
OV80121MWEMCF	1200mm LED Luminaire With Microwave Sensor Having Corridor Function & Emergency

PRODUCT INFO	Mains		Emergency
	Circuit	21	23
Wattage (W)			
Lumens (lm)	2520	2520	
Lumens (lm) (Corridor)		252	
Lumens (lm) (Emergency)	N/A		300
Efficacy (lm/W)	120		110
CCT (K)		4000	
CRI		>80	
Beam Angle (°)		105	
LED Lifetime (Hrs)		50000	
Voltage (AC)		220-240	
Frequency (Hz)		50	
Dimmable		No	
Operating Temp (°C)	-20 to +40		0 to +40

COMPATIBLE PRODUCTS

OVEMB6415LIS 6.4V 1500mAh LiFePo4 Battery - Serial See page 276



PRODUCT APPROVALS

BS EN 60598-1 BS EN 60598-2-1 BS EN 62493 BS EN 55015 BS EN 61547 BS EN 61000-3-2 BS EN 61000-3-3



21W IP65 Dimmable Linear LED Utility Luminaires - 1200mm (4ft)

AVAILABLE FINISHES



COLOUR TEMPERATURE

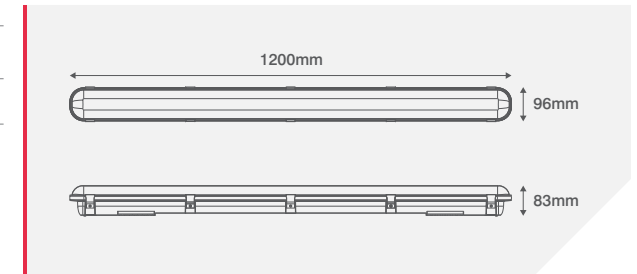


PRODUCT INFO	Mains		Emergency
	Circuit	21	23
Wattage (W)			
Lumens (lm)	2520	2520	
Lumens (lm) (Emergency)	N/A		300
Efficacy (lm/W)	120		110
CCT (K)		4000	
CRI		>80	
Beam Angle (°)		105	
LED Lifetime (Hrs)		50000	
Voltage (AC)		220-240	
Frequency (Hz)		50	
Dimmable		Yes	
Operating Temp (°C)	-20 to +40		0 to +40

CODE	DESCRIPTION
OV80121DA	1200mm LED Luminaire With DALI
OV80121SD	1200mm LED Luminaire With Switch Dim
OV80121EMDA	1200mm LED Luminaire With Emergency & DALI
OV80121EMSD	1200mm LED Luminaire With Emergency & Switch Dim

COMPATIBLE PRODUCTS

OVEMB6415LIS 6.4V 1500mAh LiFePo4 Battery - Serial See page 276



PRODUCT APPROVALS

BS EN 60598-1 BS EN 60598-2-1 BS EN 62493 BS EN 55015 BS EN 61547 BS EN 61000-3-2

Diffuser & LED Array Anchored To Base



39W IP65 Linear LED Utility Luminaires - 1200mm (4ft)



AVAILABLE FINISHES



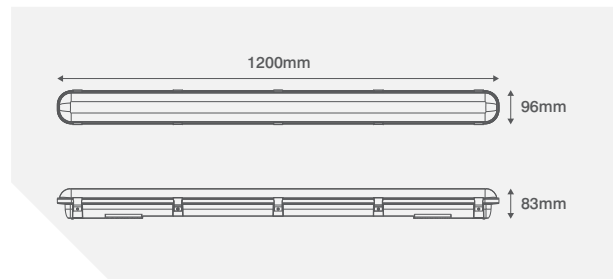
COLOUR TEMPERATURE



CODE	DESCRIPTION
OV80122	1200mm LED Luminaire
OV80122EM	1200mm LED Luminaire With Emergency
OV80122MW	1200mm LED Luminaire With Microwave Sensor
OV80122MWEM	1200mm LED Luminaire With Microwave Sensor & Emergency
OV80122MWCF	1200mm LED Luminaire With Microwave Sensor Having Corridor Function
OV80122MWEMCF	1200mm LED Luminaire With Microwave Sensor Having Corridor Function & Emergency

PRODUCT INFO	Mains		Emergency
	Circuit Wattage (W)	39	41
Lumens (lm)	4680	4680	
Lumens (lm) (Corridor)		468	
Lumens (lm) (Emergency)	N/A		650
Efficacy (lm/W)	120		114
CCT (K)	4000		
CRI	>80		
Beam Angle (°)	105		
LED Lifetime (Hrs)	50000		
Voltage (AC)	220-240		
Frequency (Hz)	50		
Dimmable	No		
Operating Temp (°C)	-20 to +40	0 to +40	

COMPATIBLE PRODUCTS		
OVEMB6430LIS	6.4V 3000mAh LiFePo4 Battery - Serial	See page 276



PRODUCT APPROVALS

BS EN 60598-1 BS EN 60598-2-1 BS EN 62493 BS EN 55015 BS EN 61547 BS EN 61000-3-2 BS EN 61000-3-3



39W IP65 Dimmable Linear LED Utility Luminaires - 1200mm (4ft)

AVAILABLE FINISHES



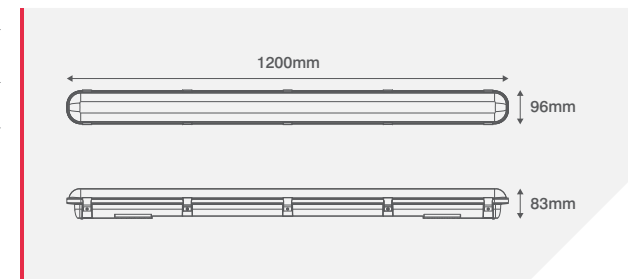
COLOUR TEMPERATURE



PRODUCT INFO	Mains		Emergency
	Circuit Wattage (W)	39	41
Lumens (lm)	4680	4680	
Lumens (lm) (Emergency)	N/A		650
Efficacy (lm/W)	120		114
CCT (K)	4000		
CRI	>80		
Beam Angle (°)	105		
LED Lifetime (Hrs)	50000		
Voltage (AC)	220-240		
Frequency (Hz)	50		
Dimmable	Yes		
Operating Temp (°C)	-20 to +40	0 to +40	

CODE	DESCRIPTION
OV80122DA	1200mm LED Luminaire With DALI
OV80122SD	1200mm LED Luminaire With Switch Dim
OV80122EMDA	1200mm LED Luminaire With Emergency & DALI
OV80122EMSD	1200mm LED Luminaire With Emergency & Switch Dim

COMPATIBLE PRODUCTS		
OVEMB6430LIS	6.4V 3000mAh LiFePo4 Battery - Serial	See page 276



PRODUCT APPROVALS

BS EN 60598-1 BS EN 60598-2-1 BS EN 62493 BS EN 55015 BS EN 61547 BS EN 61000-3-2

Diffuser & LED Array Anchored To Base



30W IP65 Linear LED Utility Luminaires - 1500mm (5ft)



AVAILABLE FINISHES



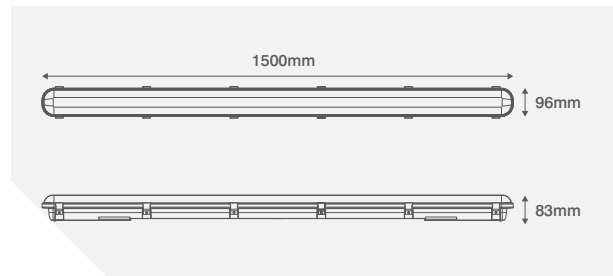
COLOUR TEMPERATURE



CODE	DESCRIPTION
OV80151	1500mm LED Luminaire
OV80151EM	1500mm LED Luminaire With Emergency
OV80151MW	1500mm LED Luminaire With Microwave Sensor
OV80151MWEM	1500mm LED Luminaire With Microwave Sensor & Emergency
OV80151MWCF	1500mm LED Luminaire With Microwave Sensor Having Corridor Function
OV80151MWEMCF	1500mm LED Luminaire With Microwave Sensor Having Corridor Function & Emergency

PRODUCT INFO	Mains		Emergency	
	Circuit Wattage (W)	30		32
Lumens (lm)	3600		3600	
Lumens (lm) (Corridor)		360		
Lumens (lm) (Emergency)	N/A		300	
Efficacy (lm/W)	120		113	
CCT (K)	4000			
CRI	>80			
Beam Angle (°)	105			
LED Lifetime (Hrs)	50000			
Voltage (AC)	220-240			
Frequency (Hz)	50			
Dimmable	No			
Operating Temp (°C)	-20 to +40		0 to +40	

COMPATIBLE PRODUCTS		
OVEMB6415LIS	6.4V 1500mAh LiFePo4 Battery - Serial	See page 276



PRODUCT APPROVALS

BS EN 60598-1 BS EN 60598-2-1 BS EN 62493 BS EN 55015 BS EN 61547 BS EN 61000-3-2 BS EN 61000-3-3



30W IP65 Dimmable Linear LED Utility Luminaires - 1500mm (5ft)

AVAILABLE FINISHES



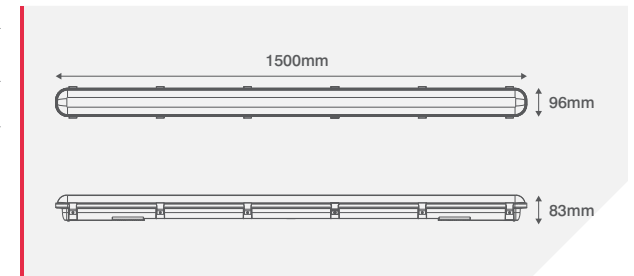
COLOUR TEMPERATURE



PRODUCT INFO	Mains		Emergency	
	Circuit Wattage (W)	30		32
Lumens (lm)	3600		3600	
Lumens (lm) (Emergency)	N/A		300	
Efficacy (lm/W)	120		113	
CCT (K)	4000			
CRI	>80			
Beam Angle (°)	105			
LED Lifetime (Hrs)	50000			
Voltage (AC)	220-240			
Frequency (Hz)	50			
Dimmable	Yes			
Operating Temp (°C)	-20 to +40		0 to +40	

CODE	DESCRIPTION
OV80151DA	1500mm LED Luminaire With DALI
OV80151SD	1500mm LED Luminaire With Switch Dim
OV80151EMDA	1500mm LED Luminaire With Emergency & DALI
OV80151EMSD	1500mm LED Luminaire With Emergency & Switch Dim

COMPATIBLE PRODUCTS		
OVEMB6415LIS	6.4V 1500mAh LiFePo4 Battery - Serial	See page 276



PRODUCT APPROVALS

BS EN 60598-1 BS EN 60598-2-1 BS EN 62493 BS EN 55015 BS EN 61547 BS EN 61000-3-2

Diffuser & LED Array Anchored To Base



55W IP65 Linear LED Utility Luminaires - 1500mm (5ft)



AVAILABLE FINISHES



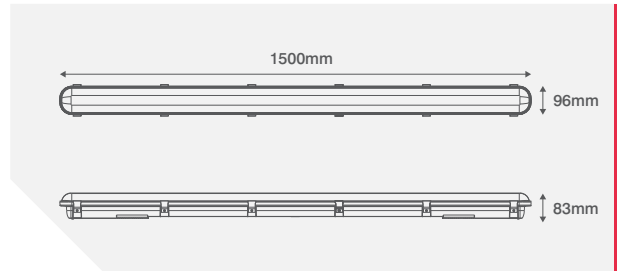
COLOUR TEMPERATURE



CODE	DESCRIPTION
OV80152	1500mm LED Luminaire
OV80152EM	1500mm LED Luminaire With Emergency
OV80152MW	1500mm LED Luminaire With Microwave Sensor
OV80152MWEM	1500mm LED Luminaire With Microwave Sensor & Emergency
OV80152MWCF	1500mm LED Luminaire With Microwave Sensor Having Corridor Function
OV80152MWEMCF	1500mm LED Luminaire With Microwave Sensor Having Corridor Function & Emergency

PRODUCT INFO	Mains		Emergency
	Circuit Wattage (W)	55	57
Lumens (lm)	6600	6600	
Lumens (lm) (Corridor)		660	
Lumens (lm) (Emergency)	N/A		650
Efficacy (lm/W)	120		116
CCT (K)		4000	
CRI		>80	
Beam Angle (°)		105	
LED Lifetime (Hrs)		50000	
Voltage (AC)		220-240	
Frequency (Hz)		50	
Dimmable		No	
Operating Temp (°C)	-20 to +40		0 to +40

COMPATIBLE PRODUCTS		
OVEMB6430LIS	6.4V 3000mAh LiFePo4 Battery - Serial	See page 276



Product Footnote 1

PRODUCT APPROVALS

BS EN 60598-1 BS EN 60598-2-1 BS EN 62493 BS EN 55015 BS EN 61547 BS EN 61000-3-2 BS EN 61000-3-3



55W IP65 Dimmable Linear LED Utility Luminaires - 1500mm (5ft)

AVAILABLE FINISHES



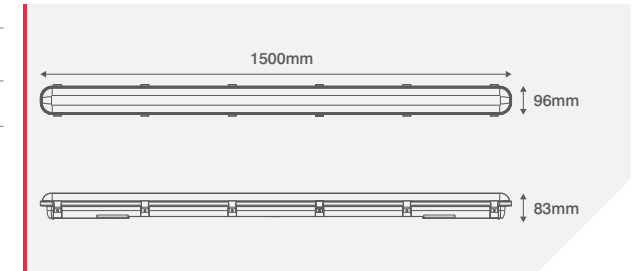
COLOUR TEMPERATURE



PRODUCT INFO	Mains		Emergency
	Circuit Wattage (W)	55	57
Lumens (lm)	6600	6600	
Lumens (lm) (Emergency)	N/A		650
Efficacy (lm/W)	120		116
CCT (K)		4000	
CRI		>80	
Beam Angle (°)		105	
LED Lifetime (Hrs)		50000	
Voltage (AC)		220-240	
Frequency (Hz)		50	
Dimmable		Yes	
Operating Temp (°C)	-20 to +40		0 to +40

CODE	DESCRIPTION
OV80152DA	1500mm LED Luminaire With DALI
OV80152SD	1500mm LED Luminaire With Switch Dim
OV80152EMDA	1500mm LED Luminaire With Emergency & DALI
OV80152EMSD	1500mm LED Luminaire With Emergency & Switch Dim

COMPATIBLE PRODUCTS		
OVEMB6430LIS	6.4V 3000mAh LiFePo4 Battery - Serial	See page 276



PRODUCT APPROVALS

Diffuser & LED Array Anchored To Base

BS EN 60598-1 BS EN 60598-2-1 BS EN 62493 BS EN 55015 BS EN 61547 BS EN 61000-3-2



34W IP65 Linear LED Utility Luminaires - 1800mm (6ft)



AVAILABLE FINISHES



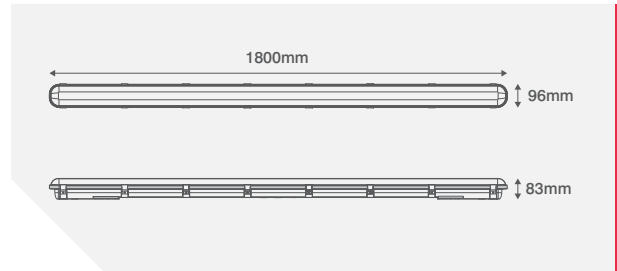
COLOUR TEMPERATURE



CODE	DESCRIPTION
OV80181	1800mm LED Luminaire
OV80181EM	1800mm LED Luminaire With Emergency
OV80181MW	1800mm LED Luminaire With Microwave Sensor
OV80181MWEM	1800mm LED Luminaire With Microwave Sensor & Emergency
OV80181MWCF	1800mm LED Luminaire With Microwave Sensor Having Corridor Function
OV80181MWEMCF	1800mm LED Luminaire With Microwave Sensor Having Corridor Function & Emergency

PRODUCT INFO	Mains		Emergency	
	Circuit	34	36	
Wattage (W)				
Lumens (lm)	4080	4080		
Lumens (lm) (Corridor)		408		
Lumens (lm) (Emergency)	N/A	350		
Efficacy (lm/W)	120	113		
CCT (K)	4000			
CRI	>80			
Beam Angle (°)	105			
LED Lifetime (Hrs)	50000			
Voltage (AC)	220-240			
Frequency (Hz)	50			
Dimmable	No			
Operating Temp (°C)	-20 to +40	0 to +40		

COMPATIBLE PRODUCTS		
OVEMB6415LIS	6.4V 1500mAh LiFePo4 Battery - Serial	See page 276



PRODUCT APPROVALS

BS EN 60598-1 BS EN 60598-2-1 BS EN 62493 BS EN 55015 BS EN 61547 BS EN 61000-3-2 BS EN 61000-3-3



34W IP65 Dimmable Linear LED Utility Luminaires - 1800mm (6ft)

AVAILABLE FINISHES



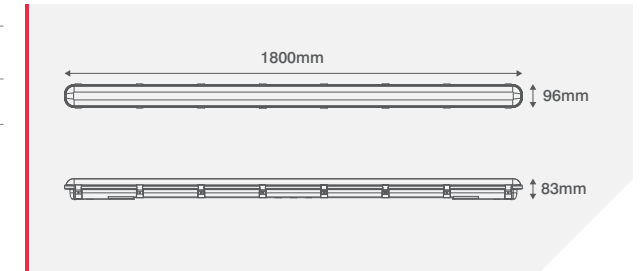
COLOUR TEMPERATURE



PRODUCT INFO	Mains		Emergency	
	Circuit	34	36	
Wattage (W)				
Lumens (lm)	4080	4080		
Lumens (lm) (Emergency)	N/A	350		
Efficacy (lm/W)	120	113		
CCT (K)	4000			
CRI	>80			
Beam Angle (°)	105			
LED Lifetime (Hrs)	50000			
Voltage (AC)	220-240			
Frequency (Hz)	50			
Dimmable	Yes			
Operating Temp (°C)	-20 to +40	0 to +40		

CODE	DESCRIPTION
OV80181DA	1800mm LED Luminaire With DALI
OV80181SD	1800mm LED Luminaire With Switch Dim
OV80181EMDA	1800mm LED Luminaire With Emergency & DALI
OV80181EMSD	1800mm LED Luminaire With Emergency & Switch Dim

COMPATIBLE PRODUCTS		
OVEMB6415LIS	6.4V 1500mAh LiFePo4 Battery - Serial	See page 276



PRODUCT APPROVALS

BS EN 60598-1 BS EN 60598-2-1 BS EN 62493 BS EN 55015 BS EN 61547 BS EN 61000-3-2

Diffuser & LED Array Anchored To Base



UTILITY

UTILITY

70W IP65 Linear LED Utility Luminaires - 1800mm (6ft)



AVAILABLE FINISHES

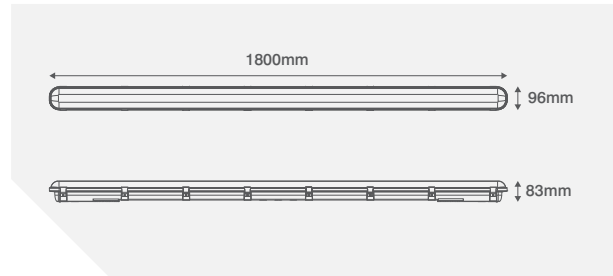


COLOUR TEMPERATURE



CODE	DESCRIPTION
OV80182	1800mm LED Luminaire
OV80182EM	1800mm LED Luminaire With Emergency
OV80182MW	1800mm LED Luminaire With Microwave Sensor
OV80182MWEM	1800mm LED Luminaire With Microwave Sensor & Emergency
OV80182MWCF	1800mm LED Luminaire With Microwave Sensor Having Corridor Function
OV80182MWEMCF	1800mm LED Luminaire With Microwave Sensor Having Corridor Function & Emergency

COMPATIBLE PRODUCTS		
OVEMB6430LIS	6.4V 3000mAh LiFePo4 Battery - Serial	See page 276



	PRODUCT INFO	
	Mains	Emergency
Circuit Wattage (W)	70	72
Lumens (lm)	8400	8400
Lumens (lm) (Corridor)		840
Lumens (lm) (Emergency)	N/A	700
Efficacy (lm/W)	120	117
CCT (K)	4000	
CRI	>80	
Beam Angle (°)	105	
LED Lifetime (Hrs)	50000	
Voltage (AC)	220-240	
Frequency (Hz)	50	
Dimmable	No	
Operating Temp (°C)	-20 to +40	0 to +40

PRODUCT APPROVALS

BS EN 60598-1 BS EN 60598-2-1 BS EN 62493 BS EN 55015 BS EN 61547 BS EN 61000-3-2 BS EN 61000-3-3



70W IP65 Dimmable Linear LED Utility Luminaires - 1800mm (6ft)

AVAILABLE FINISHES



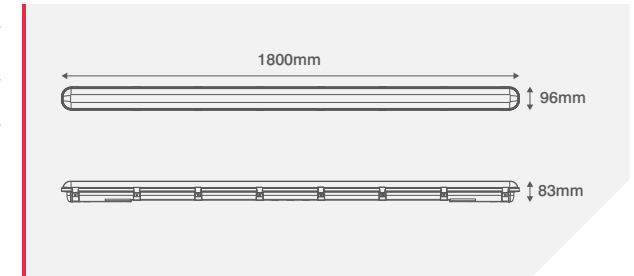
COLOUR TEMPERATURE



	PRODUCT INFO	
	Mains	Emergency
Circuit Wattage (W)	70	72
Lumens (lm)	8400	8400
Lumens (lm) (Emergency)	N/A	700
Efficacy (lm/W)	120	117
CCT (K)	4000	
CRI	>80	
Beam Angle (°)	105	
LED Lifetime (Hrs)	50000	
Voltage (AC)	220-240	
Frequency (Hz)	50	
Dimmable	Yes	
Operating Temp (°C)	-20 to +40	0 to +40

CODE	DESCRIPTION
OV80182DA	1800mm LED Luminaire With DALI
OV80182SD	1800mm LED Luminaire With Switch Dim
OV80182EMDA	1800mm LED Luminaire With Emergency & DALI
OV80182EMSD	1800mm LED Luminaire With Emergency & Switch Dim

COMPATIBLE PRODUCTS		
OVEMB6430LIS	6.4V 3000mAh LiFePo4 Battery - Serial	See page 276



PRODUCT APPROVALS

BS EN 60598-1 BS EN 60598-2-1 BS EN 62493 BS EN 55015 BS EN 61547 BS EN 61000-3-2

Diffuser & LED Array Anchored To Base



Suspension Cables

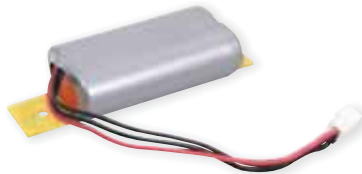
WARRANTY



CODE	DESCRIPTION
OSUSS15	2 x Standard Suspension Cables for B-Lite
OSUSY15	2 x Y Shaped Suspension Cables for A-Lite

Battery Replacements

WARRANTY



CODE	DESCRIPTION	PRODUCT INFO
OVEMB6415LIS	6.4V 1500mAh LiFePo4 Battery - Serial U-Lite Luminaires - OV80121-EM, OV80151-EM, OV80181-EM B-Lite Luminaires - OV82120-EM, OV82150-EM, OV82180-EM	Operating Temp (°C) 0 to +50
OVEMB6430LIS	6.4V 3000mAh LiFePo4 Battery - Serial U-Lite Luminaires - OV80122-EM, OV80152-EM, OV80182-EM	

WARRANTY



CODE	DESCRIPTION	PRODUCT INFO
OVEMB7418LI	7.4V 1800mAh Li-ion Battery - Parallel A-Lite Luminaires - 17W & 25W Emergency Luminaires	Operating Temp (°C) 0 to +50
OVEMB7425LI	7.4V 2500mAh Li-ion Battery - Parallel A-Lite Luminaires - 32W, 50W & 60W Emergency Luminaires	

With Pre-wired Lead & PCB Connector

PRODUCT APPROVALS

BS EN 62133





COMMERCIAL LIGHTING



COMMERCIAL LIGHTING

A comprehensive range of products for your commercial environment. Panel lighting and downlights with multiple features and benefits with a variety of installation methods, including recessed, surface or suspended. Ovia® have a solution for any requirement. From cost effective options to high spec solutions our ranges offer different colour temperature options and IP ratings to cover a range of applications.

For added convenience some lines come with pre-wired Push-Fit Flow™ connectors for speed and ease of installation and there are also options for an emergency version within this extensive range.



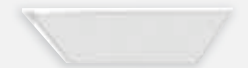
INCEPTOR® PRODUCTS TO LOOK OUT FOR IN THIS SECTION...



SLATE



SLATE BACKLIT



SLATE BACKLIT UGR



TROFA



SKYLAR UGR16



APTO

Contents

Panel	280
Control Gear	300
Downlights	306

INCEPTOR[®] SLATE

Low UGR Diffuser

Low UGR diffuser making the Inceptor[®] Slate suitable for working environments.



TP(a) Materials

The Building Regulations Approved Document B2 (buildings other than dwelling houses) places restrictions on the use of certain thermoplastic materials when they are used as lighting diffusers and form part of a ceiling. TP(a) rated materials may be used almost without restriction, but restrictions exist on the use of TP(b) rated materials. Inceptor[®] Slate ceiling panels are TP(a) as standard.

Installation Options

Suitable for a range of installation types. We have a Suspension Kit, Surface & Recessed Frames all available for use with the Inceptor[®] Slate ceiling panels.



Pre-wired Flow[™] Connector

The Inceptor[®] Slate includes an pre-wired push-fit 3 Pole Flow[™] connector for quick and easy installation.



Back

Steel, formed with a strengthening rib for added rigidity.

Foam packer

Compresses to keep other components in place.

DC connector lead (male)

The LED Driver connects here.

Reflector paper

Reflects light outwards.

LGP

(Light Guide Plate) Carries light from the edges of the panel outwards.

Wires

Carries electricity from the driver to the LED.

LED strip

Two rows of LEDs on two opposite internal edges.

Diffuser

Disperses light outward.

Aluminium frame

Holds all the internal components.



Suspension Brackets



UV Stabilised Diffuser



90°
Beam Angle (°)

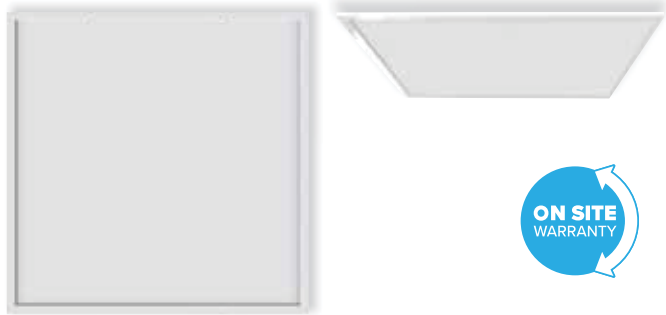


60,000
Hour Lifetime

30W 600mm x 600mm IP44 Edge Lit LED Panels



AVAILABLE FINISHES



COLOUR TEMPERATURE



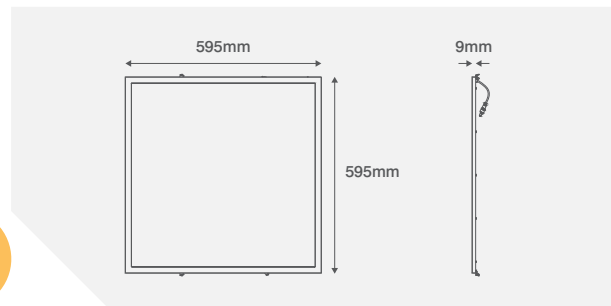
CODE	DESCRIPTION
OV75301WW	30W LED Panel - 3000K - White
OV75301CW	30W LED Panel - 4000K - White

COMPATIBLE PRODUCTS

OVCGMF0001	240V 29-48W 3 in 1 Multi-function Dimmable Constant Current LED Driver	See page 300
OVSUSP731	Suspension Wire Kit	See page 304
OVREC731	600mm x 600mm Recess Frame Kit	See page 304
OVSURF731	600mm x 600mm Surface Frame Kit	See page 304
OEP4	3 Hour Universal Emergency Pack	See page 457
OEP4ST	3 Hour Self-Test Universal Emergency Pack	See page 457

PRODUCT INFO

Circuit Wattage (W)	30	
CCT (K)	3000	4000
Lumens (lm)	3150	3250
Efficacy (lm/W)	105	
CRI	>80	
Beam Angle (°)	90	
LED Lifetime (Hrs)	60000	
Voltage (AC)	220-240	
Frequency (Hz)	50/60	
Dimmable	No	
Operating Temp	-5 to +40	
UGR	<19	
Flammability Rating	TP(a)	



Complete with Remote Driver & prewired push-fit Flow™ Connector

PRODUCT APPROVALS

BS EN 60598-1; BS EN 60598-2-2; BS EN 55015; BS EN 61000-3-2; BS EN 61000-3-3; BS EN 61547; BS EN 61535



50W 1200mm x 600mm IP44 Edge Lit LED Panel

AVAILABLE FINISHES



COLOUR TEMPERATURE



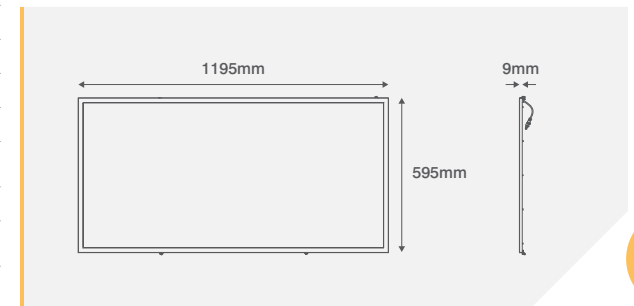
CODE	DESCRIPTION
OV75503CW	50W LED Panel - 4000K - White

PRODUCT INFO

Circuit Wattage (W)	50	
CCT (K)	4000	
Lumens (lm)	5250	
Efficacy (lm/W)	105	
CRI	>80	
Beam Angle (°)	90	
LED Lifetime (Hrs)	60000	
Voltage (AC)	220-240	
Frequency (Hz)	50/60	
Dimmable	No	
Operating Temp	-5 to +40	
UGR	<19	
Flammability Rating	TP(a)	

COMPATIBLE PRODUCTS

OVCGMF0002	240V 38-69W Multi-function Dimmable Constant Current LED Driver	See page 301
OVSURF733	1200mm x 600mm Surface Frame Kit	See page 304
OVSUSP733	Suspension Wire Kit	See page 304
OEP4	3 Hour Universal Emergency Pack	See page 457
OEP4ST	3 Hour Self-Test Universal Emergency Pack	See page 457



PRODUCT APPROVALS

Complete with Remote Driver & prewired push-fit Flow™ Connector

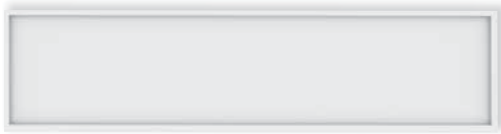
BS EN 60598-1; BS EN 60598-2-2; BS EN 55015; BS EN 61000-3-2; BS EN 61000-3-3; BS EN 61547; BS EN 61535



30W 1200mm x 300mm IP44 Edge Lit LED Panel



AVAILABLE FINISHES



COLOUR TEMPERATURE



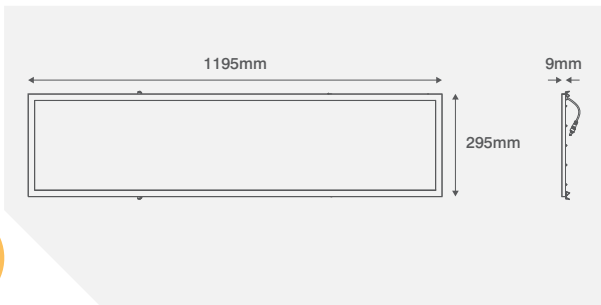
CODE	DESCRIPTION
OV75302CW	30W LED Panel - 4000K - White

COMPATIBLE PRODUCTS

OVCGMF0001	240V 29-48W 3 in 1 Multi-function Dimmable Constant Current LED Driver	See page 300
OVSURF732	1200mm x 300mm Surface Frame Kit	See page 304
OVSUSP733	Suspension Wire Kit	See page 304
OEP4	3 Hour Universal Emergency Pack	See page 457
OEP4ST	3 Hour Self-Test Universal Emergency Pack	See page 457

PRODUCT INFO

Circuit Wattage (W)	30
CCT (K)	4000
Lumens (lm)	3250
Efficacy (lm/W)	105
CRI	>80
Beam Angle (°)	90
LED Lifetime (Hrs)	60000
Voltage (AC)	220-240
Frequency (Hz)	50/60
Dimmable	No
Operating Temp	-5 to +40
UGR	<19
Flammability Rating	TP(a)



Complete with Remote Driver & prewired push-fit Flow™ Connector

PRODUCT APPROVALS

BS EN 60598-1; BS EN 60598-2-2; BS EN 55015; BS EN 61000-3-2; BS EN 61000-3-3; BS EN 61547; BS EN 61535



INCEPTOR® SLATE BACKLIT

TP(a) Rated Backlit Panel Lights



TP(a) Materials

The Building Regulations Approved Document B2 (buildings other than dwelling houses) places restrictions on the use of certain thermoplastic materials when they are used as lighting diffusers and form part of a ceiling. TP(a) rated materials may be used almost without restriction, but restrictions exist on the use of TP(b) rated materials. Inceptor® Slate ceiling panels are TP(a) as standard.

Pre-wired Flow Connector™

The Inceptor® Slate Backlit includes an pre-wired push-fit 3 Pole Flow™ connector for quick and easy installation.



Installation Options

Suitable for a range of installation types; a Suspension Kit & Recessed Frames are available for use with the Inceptor® Slate Backlit ceiling panels.



Diffuser

Available in Standard or Low-Glare to disperse light outwards.

Back

Steel, formed with a strengthening rib for added rigidity.

DC Connector lead (Male)

The LED Driver connects here.

LED Covers

48 opaque covers for uniform light distribution

Aluminium Frame

Holds all internal components.

LED Strip

6 rows of LEDs.

Cable Clamp

To secure DC connector lead.



30W 600mm x 600mm Backlit LED Panels



AVAILABLE FINISHES



COLOUR TEMPERATURE



CODE DESCRIPTION

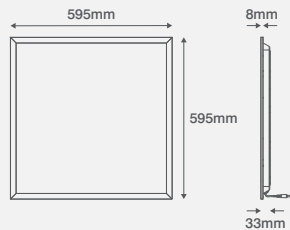
OV74301WWB	30W LED Panel - 3000K - White
OV74301CWB	30W LED Panel - 4000K - White
OV74301DLB	30W LED Panel - 6000K - White

COMPATIBLE PRODUCTS

OVCGMF0001	240V 29-48W 3 in 1 Multi-function Dimmable Constant Current LED Driver	See page 300
OVSUSP731	Suspension Wire Kit	See page 304
OVREC731	600mm x 600mm Recess Frame Kit	See page 304
OVSURF734	600mm x 600mm Surface Frame Kit	See page 304
OEP4	3 Hour Universal Emergency Pack	See page 457
OEP4ST	3 Hour Self-Test Universal Emergency Pack	See page 457

PRODUCT INFO

Circuit Wattage (W)	30		
CCT (K)	3000	4000	6000
Lumens (lm)	3000	3100	3200
Efficacy (lm/W)	100	105	107
CRI	>80		
Beam Angle (°)	120		
LED Lifetime (Hrs)	50000		
Voltage (AC)	220-240		
Frequency (Hz)	50		
Dimmable	No		
Operating Temp	-5 to +40		
Flammability Rating	TP(b)		



Complete with Remote Driver & prewired push-fit Flow™ Connector

PRODUCT APPROVALS

BS EN 60598-1; BS EN 60598-2-2; BS EN 55015; BS EN 61000-3-2; BS EN 61000-3-3; BS EN 61547; BS EN 61535



30W 600mm x 600mm Backlit LED Panels

AVAILABLE FINISHES



COLOUR TEMPERATURE



CODE DESCRIPTION

OV75301WWB	30W LED Panel - 3000K - White
OV75301CWB	30W LED Panel - 4000K - White
OV75301DLB	30W LED Panel - 6000K - White

COMPATIBLE PRODUCTS

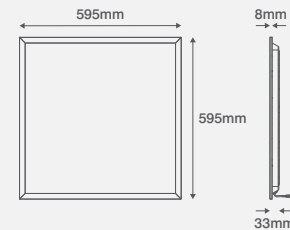
OVCGMF0001	240V 29-48W 3 in 1 Multi-function Dimmable Constant Current LED Driver	See page 300
OVSUSP731	Suspension Wire Kit	See page 304
OVREC731	600mm x 600mm Recess Frame Kit	See page 304
OVSURF734	600mm x 600mm Surface Frame Kit	See page 304
OEP4	3 Hour Universal Emergency Pack	See page 457
OEP4ST	3 Hour Self-Test Universal Emergency Pack	See page 457

CODE DESCRIPTION

OV75301WWB	30W LED Panel - 3000K - White
OV75301CWB	30W LED Panel - 4000K - White
OV75301DLB	30W LED Panel - 6000K - White

COMPATIBLE PRODUCTS

OVCGMF0001	240V 29-48W 3 in 1 Multi-function Dimmable Constant Current LED Driver	See page 300
OVSUSP731	Suspension Wire Kit	See page 304
OVREC731	600mm x 600mm Recess Frame Kit	See page 304
OVSURF734	600mm x 600mm Surface Frame Kit	See page 304
OEP4	3 Hour Universal Emergency Pack	See page 457
OEP4ST	3 Hour Self-Test Universal Emergency Pack	See page 457



PRODUCT APPROVALS

Complete with Remote Driver & prewired push-fit Flow™ Connector

BS EN 60598-1; BS EN 60598-2-2; BS EN 55015; BS EN 61000-3-2; BS EN 61000-3-3; BS EN 61547; BS EN 61535



30W 600mm x 600mm Low-Glare Backlit LED Panels



AVAILABLE FINISHES



COLOUR TEMPERATURE



CODE DESCRIPTION

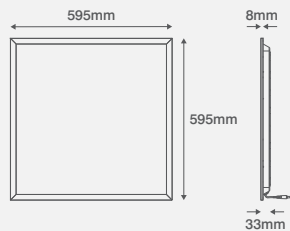
OV751301WWB	30W LED Panel - 3000K - White
OV751301CWB	30W LED Panel - 4000K - White
OV751301DLB	30W LED Panel - 6000K - White

COMPATIBLE PRODUCTS

OVCGMF0001	240V 29-48W 3 in 1 Multi-function Dimmable Constant Current LED Driver	See page 300
OVSUSP731	Suspension Wire Kit	See page 304
OVREC731	600mm x 600mm Recess Frame Kit	See page 304
OVSURF734	600mm x 600mm Surface Frame Kit	See page 304
OEP4	3 Hour Universal Emergency Pack	See page 457
OEP4ST	3 Hour Self-Test Universal Emergency Pack	See page 457

PRODUCT INFO

Circuit Wattage (W)	30		
CCT (K)	3000	4000	6000
Lumens (lm)	3000	3150	3200
Efficacy (lm/W)	100	105	107
CRI	>80		
Beam Angle (°)	120		
LED Lifetime (Hrs)	50000		
Voltage (AC)	220-240		
Frequency (Hz)	50		
Dimmable	No		
Operating Temp	-5 to +40		
UGR	<19		
Flammability Rating	TP(a)		



Complete with Remote Driver & prewired push-fit Flow™ Connector

PRODUCT APPROVALS

BS EN 60598-1; BS EN 60598-2-2; BS EN 55015; BS EN 61000-3-2; BS EN 61000-3-3; BS EN 61547; BS EN 61535



40W 600mm x 600mm Low-Glare Backlit LED Panels

AVAILABLE FINISHES



COLOUR TEMPERATURE



CODE DESCRIPTION

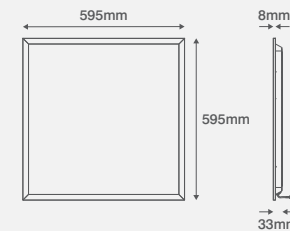
OV751401WWB	40W LED Panel - 3000K - White
OV751401CWB	40W LED Panel - 4000K - White
OV751401DLB	40W LED Panel - 6000K - White

COMPATIBLE PRODUCTS

OVCGMF0001	240V 29-48W 3 in 1 Multi-function Dimmable Constant Current LED Driver	See page 300
OVSUSP731	Suspension Wire Kit	See page 304
OVREC731	600mm x 600mm Recess Frame Kit	See page 304
OVSURF734	600mm x 600mm Surface Frame Kit	See page 304
OEP4	3 Hour Universal Emergency Pack	See page 457
OEP4ST	3 Hour Self-Test Universal Emergency Pack	See page 457

PRODUCT INFO

Circuit Wattage (W)	40		
CCT (K)	3000	4000	6000
Lumens (lm)	4000	4200	4200
Efficacy (lm/W)	100	105	105
CRI	>80		
Beam Angle (°)	90		
LED Lifetime (Hrs)	50000		
Voltage (AC)	220-240		
Frequency (Hz)	50		
Dimmable	No		
Operating Temp	-5 to +40		
UGR	<19		
Flammability Rating	TP(a)		



PRODUCT APPROVALS

Complete with Remote Driver & prewired push-fit Flow™ Connector

BS EN 60598-1; BS EN 60598-2-2; BS EN 55015; BS EN 61000-3-2; BS EN 61000-3-3; BS EN 61547; BS EN 61535



INCEPTOR® SKYLAR UGR16

Ultra Low Glare Panel Lights



Emergency & Dimming

Compatible with OVEMCG50 Emergency Pack & OVCGMF001 Multi-Function LED Driver to enable emergency operation and 3 different types of dimming operation.



3 IN 1 MULTI-FUNCTION
DALI | SWITCH DIM | 1-10V

Pre-wired Flow™ Connector

The Tridonic driver's Fly-Lead comes pre-fitted with a male Flow™ connector & a Fast Fit Female Flow™ connector with push-fit terminals.



UGR Rating of <16

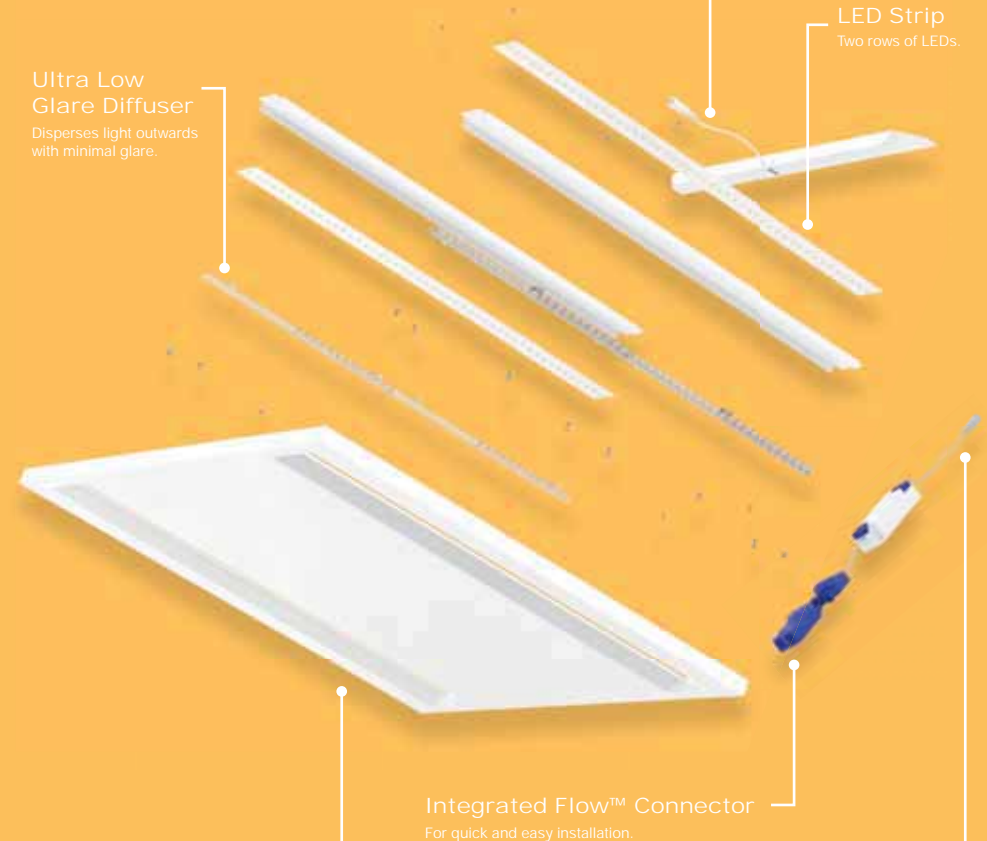
Minimises glare and refocuses the light towards the object of illumination with its narrow 70° beam angle.



Ultra Low Glare Diffuser
Disperses light outwards with minimal glare.

DC Connector Lead (Male)
The LED Driver connects here.

LED Strip
Two rows of LEDs.



Decorative Steel Frame
To hold all internal components.

Integrated Flow™ Connector
For quick and easy installation.

DC Connector Lead (Female)
The LED Panel connects here.



Cool White
Colour Temperature



70°
Beam Angle (°)



50,000 Hours
Lifetime



Dimmable
Available

36W 600mm x 600mm Ultra Low-Glare LED Panel

COMMERCIAL



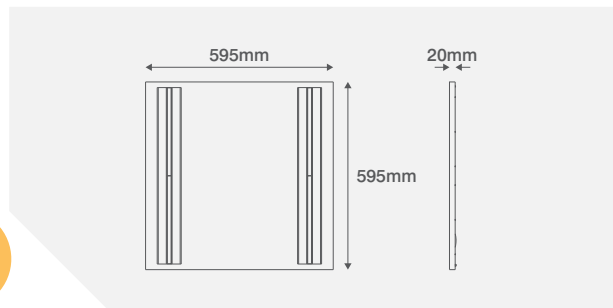
AVAILABLE FINISHES



COLOUR TEMPERATURE



CODE	DESCRIPTION	PRODUCT INFO
OV771361CW	36W LED Panel - 4000K - White	Circuit Wattage (W) 36
COMPATIBLE PRODUCTS		CCT (K) 4000
OVCGMF0001	240V 29-48W 3 in 1 Multi-function Dimmable Constant Current LED Driver See page 300	Lumens (lm) 4320
OVSUSP731	Suspension Wire Kit See page 304	Efficacy (lm/W) 120
OVREC731	600mm x 600mm Recess Frame Kit See page 304	CRI >80
OEP4	3 Hour Universal Emergency Pack See page 457	Beam Angle (°) 70
OEP4ST	3 Hour Self-Test Universal Emergency Pack See page 457	LED Lifetime (Hrs) 50000
		Voltage (AC) 220-240
		Frequency (Hz) 50
		Dimmable No
		Operating Temp -5 to +40
		UGR <16



Complete with Remote Tridonic Driver & pre-wired push-fit Flow™ Connector

PRODUCT APPROVALS

BS EN 60598-1; BS EN 60598-2-2; BS EN 55015; BS EN 61000-3-2; BS EN 61000-3-3; BS EN 61547; BS EN 61535



INCEPTOR[®] TROFA

CCT Switchable LED Panels



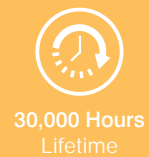
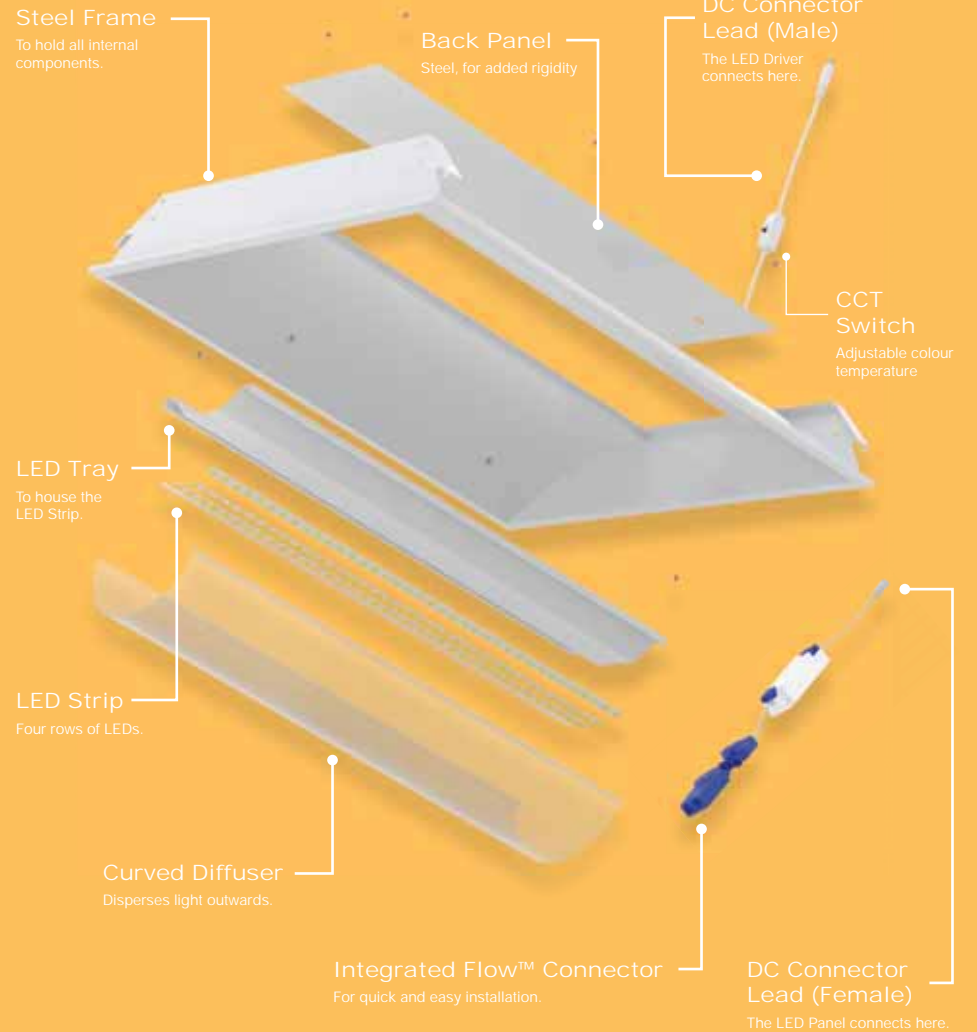
Pre-wired Flow Connector

The LED driver's Fly-Lead comes pre-fitted with a Male Flow™ connector & a Fast Fit Female Flow™ connector with push-fit terminals for quick and easy installation.



Emergency & Dimming

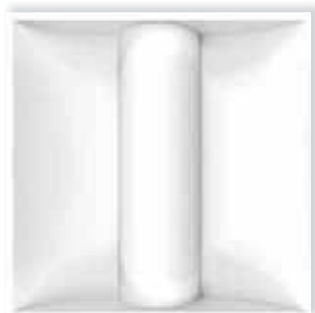
Emergency pack and 3 in 1 multi-funfion dimmable driver are available separately.



30W 600mm x 600mm CCT Switchable LED Panel



AVAILABLE FINISHES



COLOUR TEMPERATURE

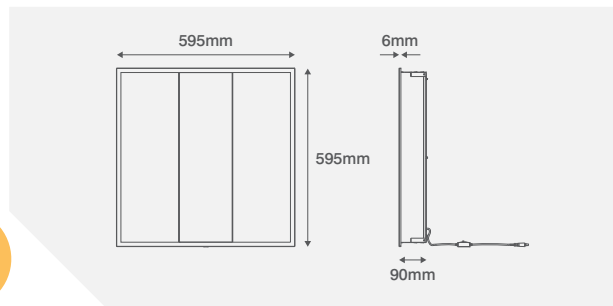


CODE	DESCRIPTION	PRODUCT INFO
OV772301CTA	30W LED Panel - CCT Switchable - White	

COMPATIBLE PRODUCTS

OVCGMF0001	240V 29-48W 3 in 1 Multi-function Dimmable Constant Current LED Driver	See page 300
OVSUSP731	Suspension Wire Kit	See page 304
OVREC731	600mm x 600mm Recess Frame Kit	See page 304
OEP4	3 Hour Universal Emergency Pack	See page 457
OEP4ST	3 Hour Self-Test Universal Emergency Pack	See page 457

Circuit Wattage (W)	30		
CCT (K)	3000	4000	6000
Lumens (lm)	3000	3150	3200
Efficacy (lm/W)	100	105	105
CRI	>80		
Beam Angle (°)	120		
LED Lifetime (Hrs)	30000		
Voltage (AC)	220-240		
Frequency (Hz)	50/60		
Dimmable	No		
Operating Temp	-5 to +40		
Flammability Rating	TP(a)		



Complete with Remote Driver & prewired push-fit Flow™ Connector

PRODUCT APPROVALS

BS EN 60598-1; BS EN 60598-2-2; BS EN 55015; BS EN 61000-3-2; BS EN 61000-3-3; BS EN 61547; BS EN 61535



MULTI FUNCTION DIMMABLE DRIVERS



The new Multi Function Dimmable drivers are designed to further enhance Ovia's commercial LED Downlight offering ensuring the range have the flexibility of a 3 in 1 dimmable solution.

3 Dimming options in 1 Driver

DALI, Switch & 1-10V

Constant Current LED Driver



29 - 48W version

12.7 - 33.7W version



24 - 48W version

38 - 69W version

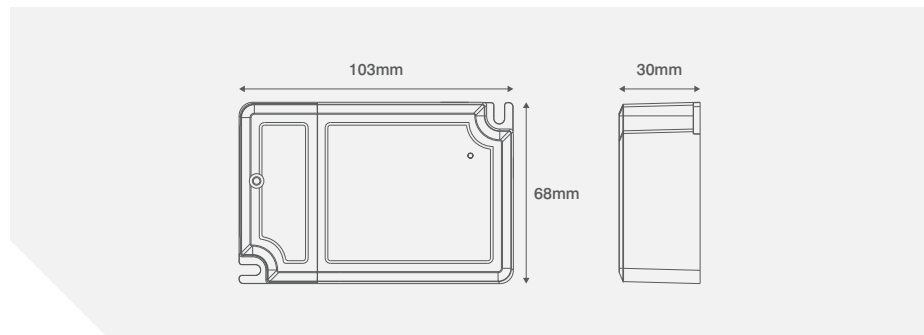


3 in 1 Multi-function Dimmable Constant Current LED Drivers



3 IN 1 MULTI-FUNCTION
DALI | SWITCH DIM | 1-10V

CODE	DESCRIPTION	PRODUCT INFO										
OVCGMF0001	240V ~ 29-48W 3 in 1 Multi-function Dimmable LED Driver	<table border="1"> <tr> <td>Circuit Wattage (W)</td> <td>42</td> </tr> <tr> <td>Voltage (AC)</td> <td>220-240</td> </tr> <tr> <td>Frequency (Hz)</td> <td>50/60</td> </tr> <tr> <td>Dimmable</td> <td>Yes</td> </tr> <tr> <td>Operating Temp</td> <td>-20 to +45</td> </tr> </table>	Circuit Wattage (W)	42	Voltage (AC)	220-240	Frequency (Hz)	50/60	Dimmable	Yes	Operating Temp	-20 to +45
Circuit Wattage (W)	42											
Voltage (AC)	220-240											
Frequency (Hz)	50/60											
Dimmable	Yes											
Operating Temp	-20 to +45											
Suitable for all 30W LED Panels												



Push-fit terminals

PRODUCT APPROVALS

BS EN 61347-2-13; BS EN 55015; BS EN 61547; BS EN 61000-3-2; BS EN 61000-3-3; BS EN 62386-101

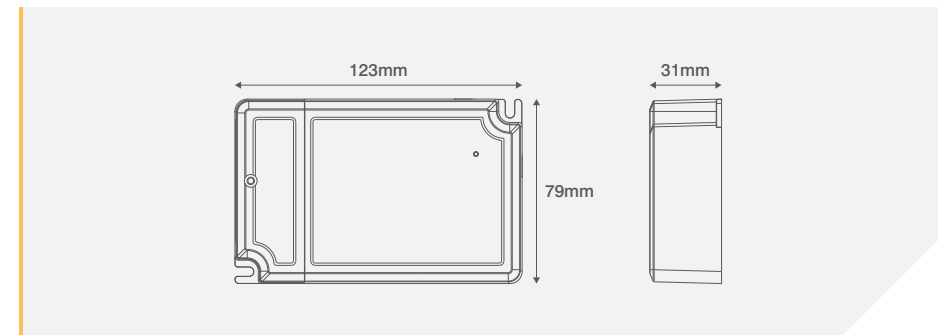


3 in 1 Multi-function Dimmable Constant Current LED Drivers



3 IN 1 MULTI-FUNCTION
DALI | SWITCH DIM | 1-10V

PRODUCT INFO	CODE	DESCRIPTION										
<table border="1"> <tr> <td>Circuit Wattage (W)</td> <td>61.2</td> </tr> <tr> <td>Voltage (AC)</td> <td>220-240</td> </tr> <tr> <td>Frequency (Hz)</td> <td>50/60</td> </tr> <tr> <td>Dimmable</td> <td>Yes</td> </tr> <tr> <td>Operating Temp</td> <td>-20 to +45</td> </tr> </table>	Circuit Wattage (W)	61.2	Voltage (AC)	220-240	Frequency (Hz)	50/60	Dimmable	Yes	Operating Temp	-20 to +45	OVCGMF0002	240V ~ 38-69W 3 in 1 Multi-function Dimmable LED Driver
Circuit Wattage (W)	61.2											
Voltage (AC)	220-240											
Frequency (Hz)	50/60											
Dimmable	Yes											
Operating Temp	-20 to +45											
	Suitable for all 50W LED Panels											



PRODUCT APPROVALS

Push-fit terminals

BS EN 61347-2-13; BS EN 55015; BS EN 61547; BS EN 61000-3-2; BS EN 61000-3-3; BS EN 62386-101



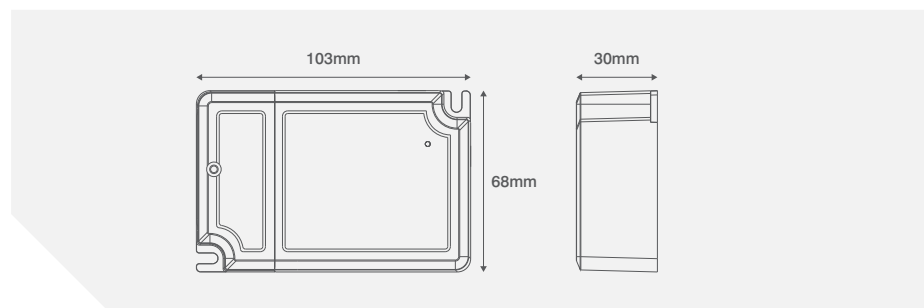
3 in 1 Multi-function Dimmable Constant Current LED Drivers



3 IN 1 MULTI-FUNCTION
DALI | SWITCH DIM | 1-10V

CODE	DESCRIPTION	PRODUCT INFO										
OVCGMF0003	240V ~ 12.7-33.7W 3 in 1 Multi-function Dimmable Constant Current LED Driver	<table border="1"> <tr> <td>Circuit Wattage (W)</td> <td>29.4</td> </tr> <tr> <td>Voltage (AC)</td> <td>220-240</td> </tr> <tr> <td>Frequency (Hz)</td> <td>50/60</td> </tr> <tr> <td>Dimmable</td> <td>Yes</td> </tr> <tr> <td>Operating Temp</td> <td>-20 to +45</td> </tr> </table>	Circuit Wattage (W)	29.4	Voltage (AC)	220-240	Frequency (Hz)	50/60	Dimmable	Yes	Operating Temp	-20 to +45
Circuit Wattage (W)	29.4											
Voltage (AC)	220-240											
Frequency (Hz)	50/60											
Dimmable	Yes											
Operating Temp	-20 to +45											

Suitable for AluPanels up to 12W



Push-fit terminals

PRODUCT APPROVALS

BS EN 61347-2-13; BS EN 55015; BS EN 61547; BS EN 61000-3-2; BS EN 61000-3-3; BS EN 62386-101, IEC 62386-101



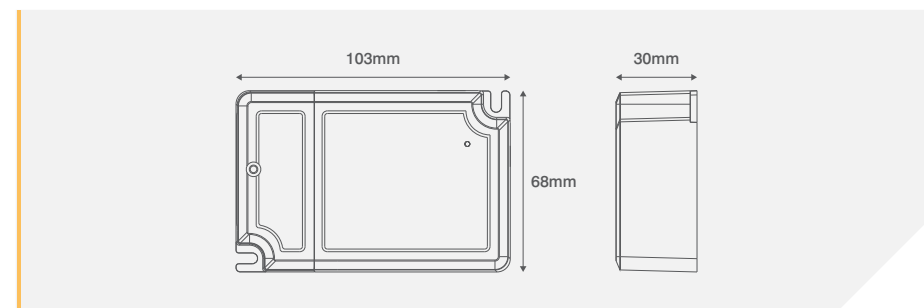
3 in 1 Multi-function Dimmable Constant Current LED Drivers



3 IN 1 MULTI-FUNCTION
DALI | SWITCH DIM | 1-10V

PRODUCT INFO	CODE	DESCRIPTION										
<table border="1"> <tr> <td>Circuit Wattage (W)</td> <td>42</td> </tr> <tr> <td>Voltage (AC)</td> <td>220-240</td> </tr> <tr> <td>Frequency (Hz)</td> <td>50/60</td> </tr> <tr> <td>Dimmable</td> <td>Yes</td> </tr> <tr> <td>Operating Temp</td> <td>-20 to +45</td> </tr> </table>	Circuit Wattage (W)	42	Voltage (AC)	220-240	Frequency (Hz)	50/60	Dimmable	Yes	Operating Temp	-20 to +45	OVCGMF0004	240V ~ 24-48W 3 in 1 Multi-function Dimmable Constant Current LED Driver
Circuit Wattage (W)	42											
Voltage (AC)	220-240											
Frequency (Hz)	50/60											
Dimmable	Yes											
Operating Temp	-20 to +45											

Suitable for AluPanels 18W & 24W



PRODUCT APPROVALS

Push-fit terminals

BS EN 61347-2-13; BS EN 55015; BS EN 61547; BS EN 61000-3-2; BS EN 61000-3-3; BS EN 62386-101, IEC 62386-101



Panel Light Accessories

COMMERCIAL

WARRANTY



AVAILABLE FINISHES



CODE	DESCRIPTION
OVREC731	600mm x 600mm Recess Frame Dimensions = 630mm x 630mm x 40mm (D) Cutout = 606mm
OVSURF731	600mm x 600mm Edge Lit Surface Frame Dimensions = 605mm x 605mm x 50mm
OVSURF732	1200mm x 300mm Surface Frame Dimensions = 1200mm x 300mm x 50mm
OVSURF733	1200mm x 600mm Surface Frame Dimensions = 1200mm x 600mm x 50mm
OVSURF734	600mm x 600mm Backlit Surface Frame Dimensions = 605mm x 605mm x 67mm
OVSUSP731	600mm x 600mm Suspension Kit Dimensions = 1400mm Drop Maximum 2 point suspension kit
OVSUSP733	1200mm Long Panels Suspension Kit Dimensions = 1400mm Drop Maximum 3 point suspension kit
OV7BCK	Burgess Ceiling Bracket for Backlit LED Panels



INCEPTOR® APTO

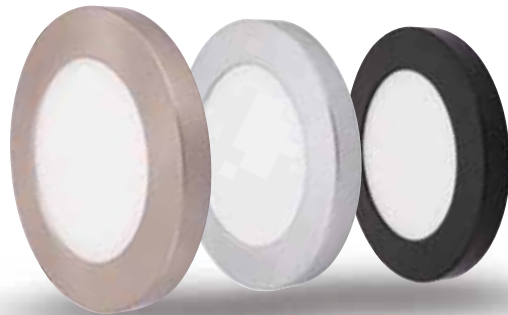
Adaptable Downlight with CCT Switch

The Inceptor® Apto is a range of commercial downlights with adaptable mounting options. The range features 4 sizes of downlights, dimmable options available and one integrated PIR Version. Inceptor® Apto includes specially adapted spring features which enable the product to be retro-fitted into a range of cut-out sizes.



Magnetic Bezels

Available in Satin Chrome, Chrome and Black.



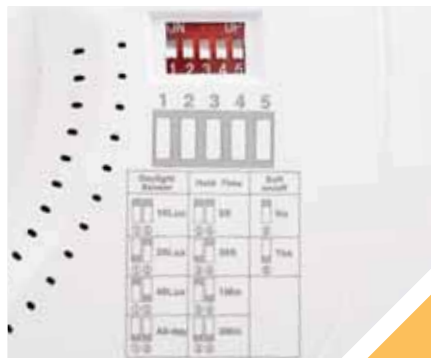
Adjustable Colour Temperature

A built-in three position switch which grants the ability to change the colour temperature instantly. CCT colour temperature switch with a range of 3000K, 4000K, 6000K, making it suitable for a wide range of locations.



Adjustable PIR

The Inceptor® Apto has a PIR version which features a delay timer with five configurable options.



Surface or Semi-Recessed Installation

The Inceptor® Apto can be surface mounted or utilize circular apertures.



Adjustable Mounting Brackets

The Inceptor® Apto has a specially adapted spring feature which enables the product to be retro-fitted into a range of cut-out sizes.



Dimmable Available



Fly Lead Installation



Vented Thermal Management



Steel Safety Loop



Magnetic Bezel & Different Finishes

6W Adaptable Downlight With CCT Switch



AVAILABLE FINISHES

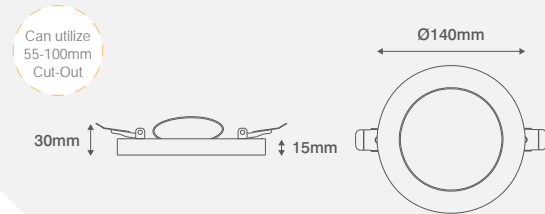


COLOUR TEMPERATURE



CODE	DESCRIPTION
OV6406	6W 140mm Diameter Downlight - White
COMPATIBLE PRODUCTS See page 317	
OVBZ646BK	Fascia Ring For 6W Downlight - Black
OVBZ646CH	Fascia Ring For 6W Downlight - Chrome
OVBZ646SC	Fascia Ring For 6W Downlight - Satin Chrome

PRODUCT INFO			
Circuit Wattage (W)	6		
CCT (K)	3000	4000	6000
Lumens (lm)	409	453	425
Efficacy (lm/W)	68	76	71
CRI	>80		
Beam Angle (°)	110		
LED Lifetime (Hrs)	30000		
Voltage (AC)	220-240		
Frequency (Hz)	50/60		
Dimmable	No		
Operating Temp	-20 to +40		



Prewired with 180mm flylead

PRODUCT APPROVALS

BS EN 60598-1; BS EN 60598-2-2; BS EN 55015; BS EN 61000-3-2; BS EN 61000-3-3; BS EN 61547; BS EN 62471; BS EN 62493



12W Adaptable Downlight With CCT Switch



AVAILABLE FINISHES

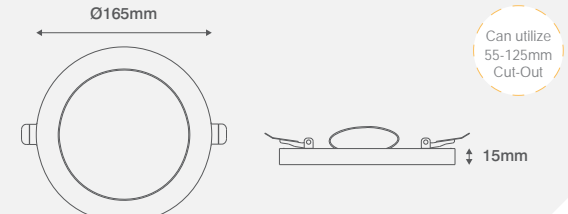


COLOUR TEMPERATURE



PRODUCT INFO			
Circuit Wattage (W)	12		
CCT (K)	3000	4000	6000
Lumens (lm)	993	1035	992
Efficacy (lm/W)	83	86	83
CRI	>80		
Beam Angle (°)	110		
LED Lifetime (Hrs)	30000		
Voltage (AC)	220-240		
Frequency (Hz)	50/60		
Dimmable	No		
Operating Temp	-20 to +40		

CODE	DESCRIPTION
OV6412	12W 165mm Diameter Downlight - White
COMPATIBLE PRODUCTS See page 317	
OVBZ6412BK	Fascia Ring For 12W Downlight - Black
OVBZ6412CH	Fascia Ring For 12W Downlight - Chrome
OVBZ6412SC	Fascia Ring For 12W Downlight - Satin Chrome



PRODUCT APPROVALS

Prewired with 150mm flylead

BS EN 60598-1; BS EN 60598-2-2; BS EN 55015; BS EN 61000-3-2; BS EN 61000-3-3; BS EN 61547; BS EN 62471; BS EN 62493



18W Adaptable Downlight With CCT Switch



AVAILABLE FINISHES

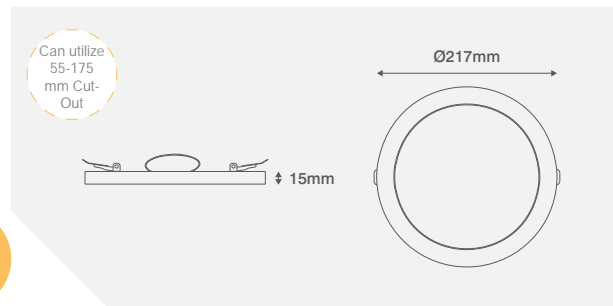


COLOUR TEMPERATURE



CODE	DESCRIPTION
OV6418	18W 217mm Diameter Downlight - White
COMPATIBLE PRODUCTS See page 317	
OVBZ6418BK	Fascia Ring For 18W Downlight - Black
OVBZ6418CH	Fascia Ring For 18W Downlight - Chrome
OVBZ6418SC	Fascia Ring For 18W Downlight - Satin Chrome

PRODUCT INFO	
Circuit Wattage (W)	18
CCT (K)	3000 4000 6000
Lumens (lm)	1588 1717 1580
Efficacy (lm/W)	88 95 88
CRI	>80
Beam Angle (°)	110
LED Lifetime (Hrs)	30000
Voltage (AC)	220-240
Frequency (Hz)	50/60
Dimmable	No
Operating Temp	-20 to +40



Prewired with 250mm flylead

PRODUCT APPROVALS

BS EN 60598-1; BS EN 60598-2-2; BS EN 55015; BS EN 61000-3-2; BS EN 61000-3-3; BS EN 61547; BS EN 62471; BS EN 62493



24W Adaptable Downlight With CCT Switch

AVAILABLE FINISHES

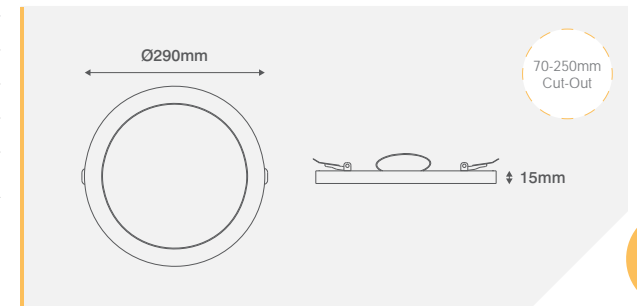


COLOUR TEMPERATURE



PRODUCT INFO	
Circuit Wattage (W)	24
CCT (K)	3000 4000 6000
Lumens (lm)	2181 2350 2250
Efficacy (lm/W)	90 95 93
CRI	>80
Beam Angle (°)	110
LED Lifetime (Hrs)	30000
Voltage (AC)	220-240
Frequency (Hz)	50
Dimmable	No
Operating Temp	-20 to +40

CODE	DESCRIPTION
OV6424	24W 290mm Diameter Downlight - White
COMPATIBLE PRODUCTS See page 317	
OVBZ6424BK	Fascia Ring For 12W Downlight - Black
OVBZ6424CH	Fascia Ring For 12W Downlight - Chrome
OVBZ6424SC	Fascia Ring For 12W Downlight - Satin Chrome



PRODUCT APPROVALS

Prewired with 250mm flylead

BS EN 60598-1; BS EN 60598-2-2; BS EN 55015; BS EN 61000-3-2; BS EN 61000-3-3; BS EN 61547; BS EN 62471; BS EN 62493



6W Adaptable Dimmable Downlight With CCT Switch



AVAILABLE FINISHES

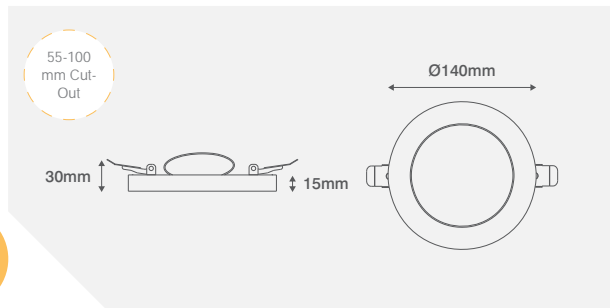


COLOUR TEMPERATURE



CODE	DESCRIPTION
OV6406D	6W 140mm Diameter Dimmable Downlight - White
COMPATIBLE PRODUCTS See page 317	
OVBZ646BK	Fascia Ring For 6W Downlight - Black
OVBZ646CH	Fascia Ring For 6W Downlight - Chrome
OVBZ646SC	Fascia Ring For 6W Downlight - Satin Chrome

PRODUCT INFO			
Circuit Wattage (W)	6		
CCT (K)	3000	4000	6000
Lumens (lm)	340	390	360
Efficacy (lm/W)	56	65	60
CRI	>80		
Beam Angle (°)	110		
LED Lifetime (Hrs)	30000		
Voltage (AC)	220-240		
Frequency (Hz)	50		
Dimmable	Yes		
Operating Temp	-20 to +40		



Prewired with 180mm flylead

PRODUCT APPROVALS

BS EN 60598-1; BS EN 60598-2-2; BS EN 55015; BS EN 61000-3-2; BS EN 61000-3-3; BS EN 61547; BS EN 62471; BS EN 62493



12W Adaptable Dimmable Downlight With CCT Switch

AVAILABLE FINISHES

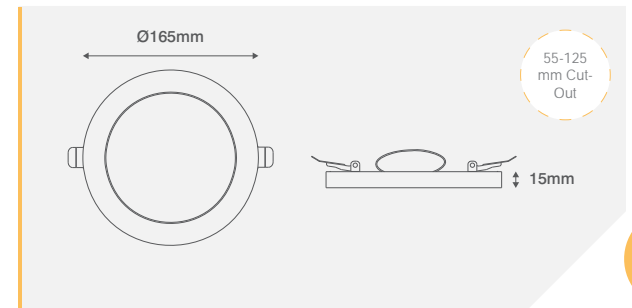


COLOUR TEMPERATURE



PRODUCT INFO			
Circuit Wattage (W)	12		
CCT (K)	3000	4000	6000
Lumens (lm)	780	880	790
Efficacy (lm/W)	65	73	65
CRI	>80		
Beam Angle (°)	110		
LED Lifetime (Hrs)	30000		
Voltage (AC)	220-240		
Frequency (Hz)	50		
Dimmable	Yes		
Operating Temp	-20 to +40		

CODE	DESCRIPTION
OV6412D	12W 165mm Diameter Dimmable Downlight - White
COMPATIBLE PRODUCTS See page 317	
OVBZ6412BK	Fascia Ring For 12W Downlight - Black
OVBZ6412CH	Fascia Ring For 12W Downlight - Chrome
OVBZ6412SC	Fascia Ring For 12W Downlight - Satin Chrome



PRODUCT APPROVALS

Prewired with 150mm flylead

BS EN 60598-1; BS EN 60598-2-2; BS EN 55015; BS EN 61000-3-2; BS EN 61000-3-3; BS EN 61547; BS EN 62471; BS EN 62493



18W Adaptable Dimmable Downlight With CCT Switch



AVAILABLE FINISHES



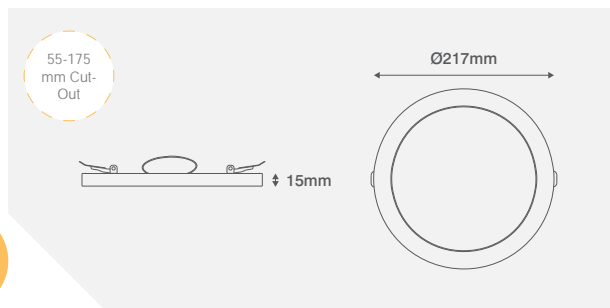
COLOUR TEMPERATURE



CODE	DESCRIPTION
OV6418D	18W 217mm Diameter Dimmable Downlight - White

COMPATIBLE PRODUCTS		See page 317
OV6418BK	Fascia Ring For 18W Downlight - Black	
OV6418CH	Fascia Ring For 18W Downlight - Chrome	
OV6418SC	Fascia Ring For 18W Downlight - Satin Chrome	

PRODUCT INFO			
Circuit Wattage (W)	18		
CCT (K)	3000	4000	6000
Lumens (lm)	1270	1350	1260
Efficacy (lm/W)	70	75	70
CRI	>80		
Beam Angle (°)	110		
LED Lifetime (Hrs)	30000		
Voltage (AC)	220-240		
Frequency (Hz)	50		
Dimmable	Yes		
Operating Temp	-20 to +40		



Prewired with 250mm flylead

PRODUCT APPROVALS

BS EN 60598-1; BS EN 60598-2-2; BS EN 55015; BS EN 61000-3-2; BS EN 61000-3-3; BS EN 61547; BS EN 62471; BS EN 62493



24W Adaptable Dimmable Downlight With CCT Switch

AVAILABLE FINISHES

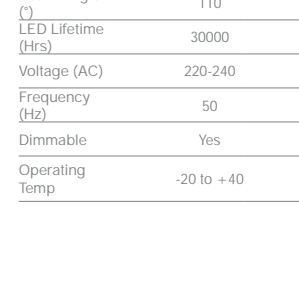


COLOUR TEMPERATURE



PRODUCT INFO			
Circuit Wattage (W)	24		
CCT (K)	3000	4000	6000
Lumens (lm)	1900	2050	1955
Efficacy (lm/W)	80	85	82
CRI	>80		
Beam Angle (°)	110		
LED Lifetime (Hrs)	30000		
Voltage (AC)	220-240		
Frequency (Hz)	50		
Dimmable	Yes		
Operating Temp	-20 to +40		

COMPATIBLE PRODUCTS				See page 317
OV6424BK	Fascia Ring For 12W Downlight - Black			
OV6424CH	Fascia Ring For 12W Downlight - Chrome			
OV6424SC	Fascia Ring For 12W Downlight - Satin Chrome			



PRODUCT APPROVALS

Prewired with 250mm flylead

BS EN 60598-1; BS EN 60598-2-2; BS EN 55015; BS EN 61000-3-2; BS EN 61000-3-3; BS EN 61547; BS EN 62471; BS EN 62493



18W Adaptable Downlight With CCT Switch & PIR



AVAILABLE FINISHES

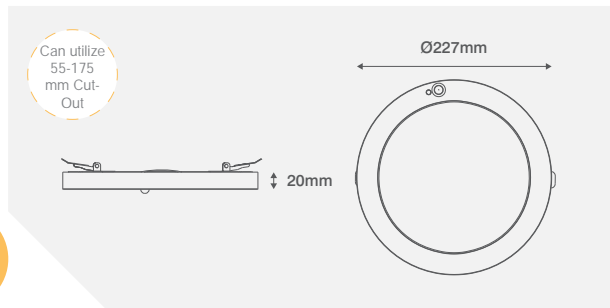


COLOUR TEMPERATURE



CODE	DESCRIPTION
OV6418PIR	18W 227mm Diameter Downlight With PIR - White

PRODUCT INFO			
Circuit Wattage (W)	18		
CCT (K)	3000	4000	6000
Lumens (lm)	1369	1478	1417
Efficacy (lm/W)	76	82	79
CRI	>80		
Beam Angle (°)	110		
LED Lifetime (Hrs)	30000		
Voltage (AC)	220-240		
Frequency (Hz)	50		
Dimmable	No		
Operating Temp	-20 to +40		
Detection Area	6		
Time Delay	5, 30 Secs, 1, 3 Mins		
Light Level	10, 20, 40 Or All-day		



Prewired with 250mm flylead

PRODUCT APPROVALS

BS EN 60598-1; BS EN 60598-2-2; BS EN 55015; BS EN 61000-3-2; BS EN 61000-3-3; BS EN 61547; BS EN 62471; BS EN 62493



Apto Downlight Accessories

AVAILABLE FINISHES



FASCIA RING FOR 6W DOWNLIGHT

OVVB646BK	Black
OVVB646CH	Chrome
OVVB646SC	Satin Chrome



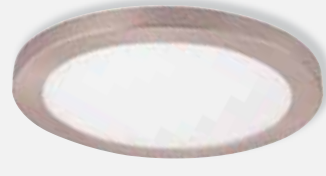
FASCIA RING FOR 12W DOWNLIGHT

OVVB6412BK	Black
OVVB6412CH	Chrome
OVVB6412SC	Satin Chrome



FASCIA RING FOR 18W DOWNLIGHT

OVVB6418BK	Black
OVVB6418CH	Chrome
OVVB6418SC	Satin Chrome



FASCIA RING FOR 24W DOWNLIGHT

OVVB6424BK	Black
OVVB6424CH	Chrome
OVVB6424SC	Satin Chrome



Not Suitable For 18W PIR Version



6W LED Recessed Downlights

WARRANTY
IP20 2 YEAR

AVAILABLE FINISHES

WHITE

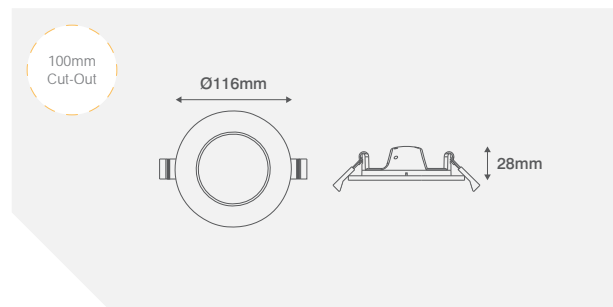


COLOUR TEMPERATURE

WARM WHITE COOL WHITE

CODE	DESCRIPTION
OV6106WW	6W 116mm Diameter Downlight 3000K - White
OV6106CW	6W 116mm Diameter Downlight 4000K - White

PRODUCT INFO	
Circuit Wattage (W)	6
CCT (K)	3000 4000
Lumens (lm)	360 390
Efficacy (lm/W)	60 65
CRI	>80
Beam Angle (°)	110
LED Lifetime (Hrs)	30000
Voltage (AC)	220-240
Frequency (Hz)	50/60
Dimmable	No
Operating Temp	-10 to +40



Integrated LED Driver

PRODUCT APPROVALS

BS EN 60598-1; BS EN 60598-2-2; BS EN 55015; BS EN 61000-3-2; BS EN 61000-3-3; BS EN 61547; BS EN 62031; BS EN 62493; BS EN 61347-1; BS EN 61347-2-13



12W LED Recessed Downlights

AVAILABLE FINISHES

WHITE

WARRANTY
2 YEAR IP20

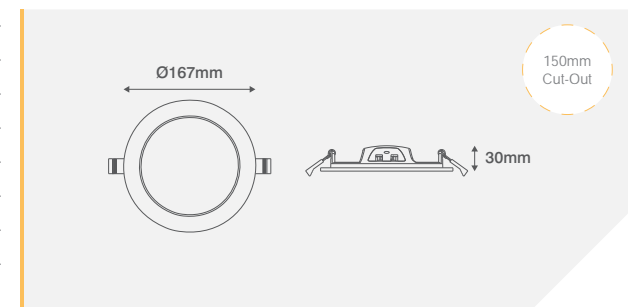


COLOUR TEMPERATURE

WARM WHITE COOL WHITE

PRODUCT INFO	
Circuit Wattage (W)	12
CCT (K)	3000 4000
Lumens (lm)	840 900
Efficacy (lm/W)	70 75
CRI	>80
Beam Angle (°)	110
LED Lifetime (Hrs)	30000
Voltage (AC)	220-240
Frequency (Hz)	50/60
Dimmable	No
Operating Temp	-10 to +40

CODE	DESCRIPTION
OV6112WW	12W 167mm Diameter Downlight 3000K - White
OV6112CW	12W 167mm Diameter Downlight 4000K - White



PRODUCT APPROVALS

Integrated LED Driver

BS EN 60598-1; BS EN 60598-2-2; BS EN 55015; BS EN 61000-3-2; BS EN 61000-3-3; BS EN 61547; BS EN 62031; BS EN 62493; BS EN 61347-1; BS EN 61347-2-13



18W LED Recessed Downlights

COMMERCIAL

WARRANTY
IP20 2 YEAR

AVAILABLE FINISHES

WHITE

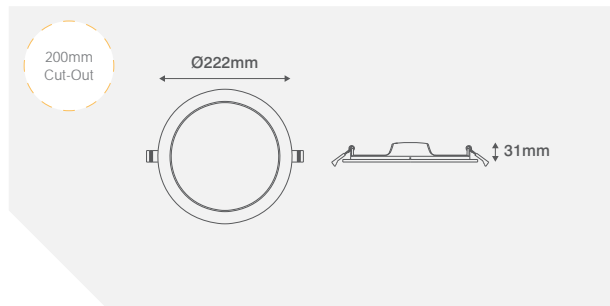


COLOUR TEMPERATURE

WARM WHITE COOL WHITE

CODE	DESCRIPTION
OV6118WW	18W 222mm Diameter Downlight 3000K - White
OV6118CW	18W 222mm Diameter Downlight 4000K - White

PRODUCT INFO	
Circuit Wattage (W)	18
CCT (K)	3000 4000
Lumens (lm)	1350 1440
Efficacy (lm/W)	75 80
CRI	>80
Beam Angle (°)	110
LED Lifetime (Hrs)	30000
Voltage (AC)	220-240
Frequency (Hz)	50/60
Dimmable	No
Operating Temp	-10 to +40



Integrated LED Driver

PRODUCT APPROVALS

BS EN 60598-1; BS EN 60598-2-2; BS EN 55015; BS EN 61000-3-2; BS EN 61000-3-3; BS EN 61547; BS EN 62031; BS EN 62493; BS EN 61347-1; BS EN 61347-2-13



ALUPANEL

3 YR WARRANTY PREWIRED CONNECTOR IP44

Recessed LED Downlights, dimmable when utilising the multi function dimmable driver, available separately.



Dimmable Available



20,000 Hour Lifetime



120° Beam Angle

Multi Function Dimmable Drivers

DALI, Switch Dim & 1-10V:
3 Dimming Options In 1 Driver

The new Multi Function Dimmable drivers are designed to further enhance Ovia's commercial LED Downlight offering ensuring the range have the flexibility of a 3 in 1 dimmable solution.

Constant Current LED Driver

DALI, Switch Dim & 1-10V



IP20 3 IN 1 5 YR WARRANTY

9W IP44 Recessed LED Downlights

WARRANTY
3
YEAR

IP44

AVAILABLE FINISHES

WHITE

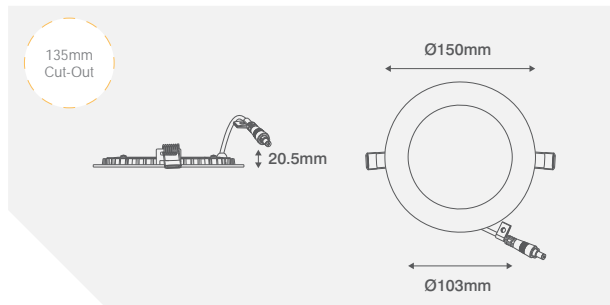


COLOUR TEMPERATURE

WARM WHITE **COOL WHITE**

CODE	DESCRIPTION
OV6209WW	9W 150mm Diameter Downlight 3000K - White
OV6209CW	9W 150mm Diameter Downlight 4000K - White

COMPATIBLE PRODUCTS		
OVCGMF0003	240V 12.7-33.7W Multi-function Dimmable Constant Current LED Driver	See page 303
OEP4	3 Hour Universal Emergency Pack	See page 457
OEP4ST	3 Hour Self-Test Universal Emergency Pack	See page 457



Complete with Remote Driver & prewired push-fit Flow™ Connector

PRODUCT APPROVALS

BS EN 60598-1; BS EN 60598-2-2; BS EN 55015; BS EN 61000-3-2; BS EN 61000-3-3; BS EN 61547; BS EN 62031; BS EN 61347-1; BS EN 61347-2-13; BS EN 62493



12W IP44 Recessed LED Downlights

AVAILABLE FINISHES

WHITE

WARRANTY
3
YEAR

IP44

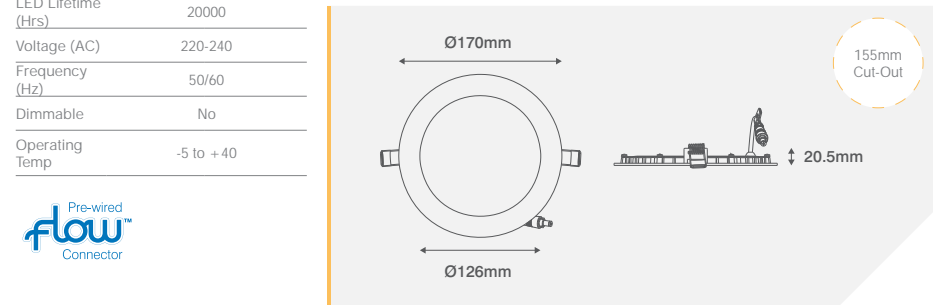


COLOUR TEMPERATURE

WARM WHITE **COOL WHITE**

PRODUCT INFO		
Circuit Wattage (W)	12	
CCT (K)	3000	4000
Lumens (lm)	850	850
Efficacy (lm/W)	70	70
CRI	>80	
Beam Angle (°)	120	
LED Lifetime (Hrs)	20000	
Voltage (AC)	220-240	
Frequency (Hz)	50/60	
Dimmable	No	
Operating Temp	-5 to +40	

COMPATIBLE PRODUCTS		
OVCGMF0003	240V 12.7-33.7W Multi-function Dimmable Constant Current LED Driver	See page 303
OEP4	3 Hour Universal Emergency Pack	See page 457
OEP4ST	3 Hour Self-Test Universal Emergency Pack	See page 457



PRODUCT APPROVALS

Complete with Remote Driver & prewired push-fit Flow™ Connector

BS EN 60598-1; BS EN 60598-2-2; BS EN 55015; BS EN 61000-3-2; BS EN 61000-3-3; BS EN 61547; BS EN 61547; BS EN 62031; BS EN 61347-1; BS EN 61347-2-13; BS EN 62493



18W IP44 Recessed LED Downlights

WARRANTY
IP44 **3**
YEAR

AVAILABLE FINISHES

WHITE



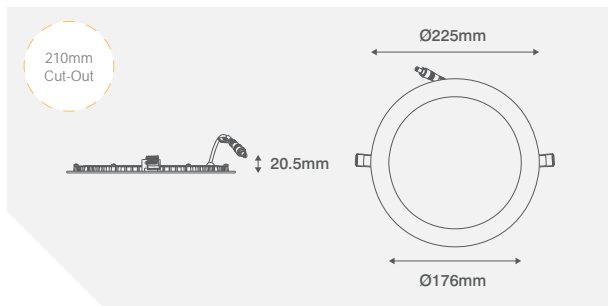
COLOUR TEMPERATURE

WARM WHITE COOL WHITE

CODE	DESCRIPTION
OV6218WW	18W 225mm Diameter Downlight 3000K - White
OV6218CW	18W 225mm Diameter Downlight 4000K - White

PRODUCT INFO		
Circuit Wattage (W)	18	
CCT (K)	3000	4000
Lumens (lm)	1300	1300
Efficacy (lm/W)	72	72
CRI	>80	
Beam Angle (°)	120	
LED Lifetime (Hrs)	20000	
Voltage (AC)	220-240	
Frequency (Hz)	50/60	
Dimmable	No	
Operating Temp	-5 to +40	

COMPATIBLE PRODUCTS		
OVCGMF0004	240V 24-48W Multi-function Dimmable Constant Current LED Driver	See page 303
OEP4	3 Hour Universal Emergency Pack	See page 457
OEP4ST	3 Hour Self-Test Universal Emergency Pack	See page 457



Complete with Remote Driver & prewired push-fit Flow™ Connector

PRODUCT APPROVALS

BS EN 60598-1; BS EN 60598-2-2; BS EN 55015; BS EN 61000-3-2; BS EN 61000-3-3; BS EN 61547; BS EN 62031; BS EN 61347-1; BS EN 61347-2-13; BS EN 62493



24W IP44 Recessed LED Downlights

AVAILABLE FINISHES

WHITE

WARRANTY
3 YEAR **IP44**



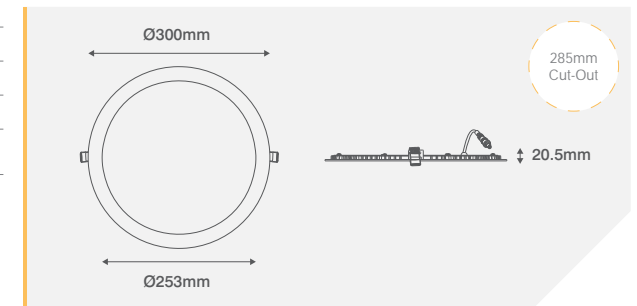
COLOUR TEMPERATURE

WARM WHITE COOL WHITE

PRODUCT INFO		
Circuit Wattage (W)	24	
CCT (K)	3000	4000
Lumens (lm)	1800	1800
Efficacy (lm/W)	75	75
CRI	>80	
Beam Angle (°)	120	
LED Lifetime (Hrs)	20000	
Voltage (AC)	220-240	
Frequency (Hz)	50/60	
Dimmable	No	
Operating Temp	-5 to +40	

CODE	DESCRIPTION
OV6224WW	24W 300mm Diameter Downlight 3000K - White
OV6224CW	24W 300mm Diameter Downlight 4000K - White

COMPATIBLE PRODUCTS		
OVCGMF0004	240V 24-48W Multi-function Dimmable Constant Current LED Driver	See page 303



PRODUCT APPROVALS

Complete with Remote Driver & prewired push-fit Flow™ Connector
No emergency pack available

BS EN 60598-1; BS EN 60598-2-2; BS EN 55015; BS EN 61000-3-2; BS EN 61000-3-3; BS EN 61547; BS EN 62031; BS EN 61347-1; BS EN 61347-2-13; BS EN 62493



SPRITE

Aluminium LED Downlights, supplied with Triac Dimmable Drivers pre-wired with a Fast Fit Flow™ connector for quick and easier installation or additional dimming options are available using the 3 in 1 multi-function dimmable drivers available separately.

4 Sizes Available

Available in 3", 5", 6" & 8" diameter options to cover a wide range of installation types and requirements.



Triac Dimmable

50,000 Hour Lifetime

60° Beam Angle

Triac & Multi-Function Dimmable

Our Sprite fittings are Triac Dimmable as standard & can be used with our Multi-Function Constant Current LED Drivers on all 3 CCT Switchable Colour Temperatures. For extra versatility the range is also Compatible with the 4W Universal Emergency Pack.

CCT Switch



Easily switch between 3 Colour Temperatures 3000K (Warm White), 4000K (Cool White) & 6000K (Daylight).

Fast Fit Flow™ Connector

The Sprite includes an pre-wired push-fit 3 Pole Flow™ connector for quick and easy installation.



OVCGMF003
OVCGMF001

3 IN 1

OEP4
OEP4-ST

10W IP54 Recessed Triac Dimmable LED Downlight With CCT Switch

AVAILABLE FINISHES



COLOUR TEMPERATURE



PRODUCT INFO

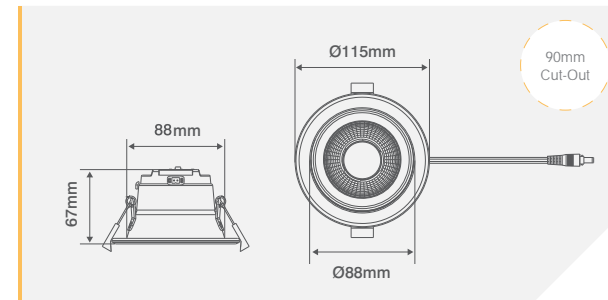
CCT (K)	3000	4000	6000
Lumens (lm)	900	950	900
Efficacy (lm/W)	90	95	90
Wattage (W)	10		
CRI	>80		
Beam Angle (°)	60		
LED Lifetime (Hrs)	50000		
Voltage (AC)	220-240		
Frequency (Hz)	50/60		
Dimmable	Yes		
Operating Temp	-5 to +45		

CODE	DESCRIPTION
------	-------------

OV66103CTAD 10W 115mm Dimmable Downlight - White

COMPATIBLE PRODUCTS

OVCGMF0003	240V 12.7-33.7W Multi-function Dimmable Constant Current LED Driver	See page 302
OEP4	3 Hour Universal Emergency Pack	See page 457
OEP4ST	3 Hour Self-Test Universal Emergency Pack	See page 457



PRODUCT APPROVALS

BS EN 60598-1; BS EN IEC 60598-2-1; BS EN 62471; BS EN 61058-1; BS EN 61347-1; BS EN 61347-2-7; BS EN 62493

Complete with Remote Driver & prewired push-fit Flow™ Connector



13W IP54 Recessed Triac Dimmable LED Downlight With CCT Switch



AVAILABLE FINISHES

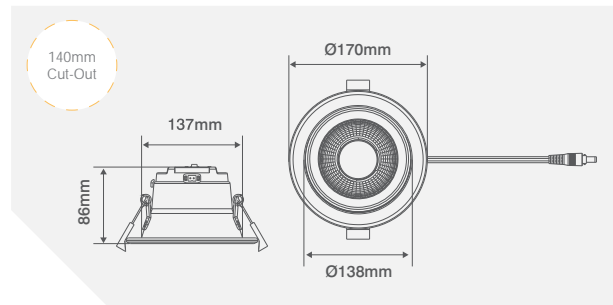


COLOUR TEMPERATURE



CODE	DESCRIPTION
OV66135CTAD	13W 170mm Dimmable Downlight - White

COMPATIBLE PRODUCTS		
OVCGMF0003	240V 12.7-33.7W Multi-function Dimmable Constant Current LED Driver	See page 302
OEP4	3 Hour Universal Emergency Pack	See page 457
OEP4ST	3 Hour Self-Test Universal Emergency Pack	See page 457



PRODUCT INFO			
CCT (K)	3000	4000	6000
Lumens (lm)	1250	1320	1290
Efficacy (lm/W)	99	105	102
Wattage (W)	13		
CRI	>80		
Beam Angle (°)	60		
LED Lifetime (Hrs)	50000		
Voltage (AC)	220-240		
Frequency (Hz)	50/60		
Dimmable	Yes		
Operating Temp	-5 to +45		
UGR	<19		

Complete with Remote Driver & prewired push-fit Flow™ Connector

PRODUCT APPROVALS

BS EN 60598-1; BS EN IEC 60598-2-1; BS EN 62471; BS EN 61058-1; BS EN 61347-1; BS EN 61347-2-7; BS EN 62493



18W IP54 Recessed Triac Dimmable LED Downlight With CCT Switch

AVAILABLE FINISHES

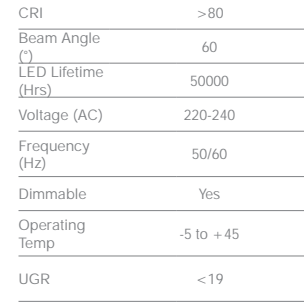


COLOUR TEMPERATURE



PRODUCT INFO			
CCT (K)	3000	4000	6000
Lumens (lm)	1900	2100	1980
Efficacy (lm/W)	106	118	110
Wattage (W)	18		
CRI	>80		
Beam Angle (°)	60		
LED Lifetime (Hrs)	50000		
Voltage (AC)	220-240		
Frequency (Hz)	50/60		
Dimmable	Yes		
Operating Temp	-5 to +45		
UGR	<19		

COMPATIBLE PRODUCTS		
OVCGMF0003	240V 12.7-33.7W Multi-function Dimmable Constant Current LED Driver	See page 302
OEP4	3 Hour Universal Emergency Pack	See page 457
OEP4ST	3 Hour Self-Test Universal Emergency Pack	See page 457



PRODUCT APPROVALS

Complete with Remote Driver & prewired push-fit Flow™ Connector

BS EN 60598-1; BS EN IEC 60598-2-1; BS EN 62471; BS EN 61058-1; BS EN 61347-1; BS EN 61347-2-7; BS EN 62493



25W IP54 Recessed Triac Dimmable LED Downlight With CCT Switch



AVAILABLE FINISHES



COLOUR TEMPERATURE



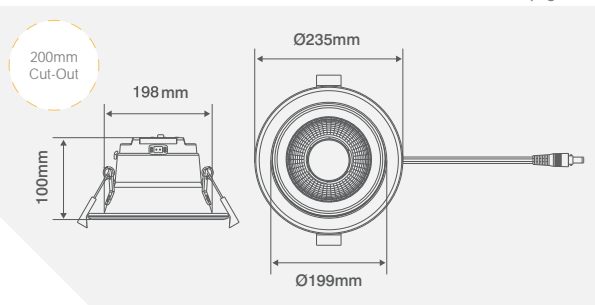
CODE	DESCRIPTION
OV66258CTAD	25W 235mm Dimmable Downlight - White

PRODUCT INFO

CCT (K)	3000	4000	6000
Lumens (lm)	2550	2720	2600
Efficacy (lm/W)	102	109	104
Wattage (W)	25		
CRI	>80		
Beam Angle (°)	60		
LED Lifetime (Hrs)	50000		
Voltage (AC)	220-240		
Frequency (Hz)	50/60		
Dimmable	Yes		
Operating Temp	-5 to +45		
UGR	<19		

COMPATIBLE PRODUCTS

OVCGMF0003	240V 12.7-33.7W Multi-function Dimmable Constant Current LED Driver	See page 302
OEP4	3 Hour Universal Emergency Pack	See page 457
OEP4ST	3 Hour Self-Test Universal Emergency Pack	See page 457



Complete with Remote Driver & prewired push-fit Flow™ Connector

PRODUCT APPROVALS

BS EN 60598-1; BS EN IEC 60598-2-1; BS EN 62471; BS EN 61058-1; BS EN 61347-1; BS EN 61347-2-7; BS EN 62493



35W IP54 Recessed Triac Dimmable LED Downlight With CCT Switch

AVAILABLE FINISHES



COLOUR TEMPERATURE



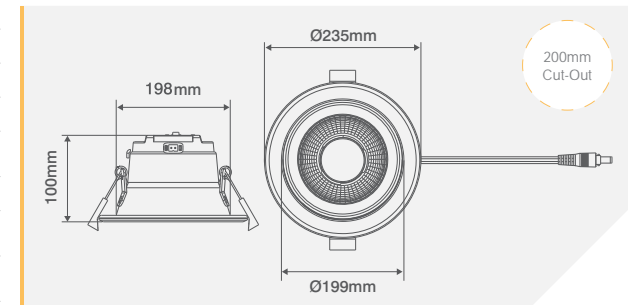
PRODUCT INFO

CCT (K)	3000	4000	6000
Lumens (lm)	3300	3560	3420
Efficacy (lm/W)	98	108	99
Wattage (W)	35		
CRI	>80		
Beam Angle (°)	60		
LED Lifetime (Hrs)	50000		
Voltage (AC)	220-240		
Frequency (Hz)	50/60		
Dimmable	Yes		
Operating Temp	-5 to +45		
UGR	<19		

CODE	DESCRIPTION
OV66358CTAD	35W 235mm Dimmable Downlight - White

COMPATIBLE PRODUCTS

OVCGMF0001	240V 29-48W 3 in 1 Multi-function Dimmable Constant Current LED Driver	See page 300
OEP4	3 Hour Universal Emergency Pack	See page 457
OEP4ST	3 Hour Self-Test Universal Emergency Pack	See page 457



PRODUCT APPROVALS

Complete with Remote Driver & prewired push-fit Flow™ Connector

BS EN 60598-1; BS EN IEC 60598-2-1; BS EN 62471; BS EN 61058-1; BS EN 61347-1; BS EN 61347-2-7; BS EN 62493





E-SPRITE

Eco Commercial LED Downlights, available in 9W, 15W, 25W or 30W. Supplied with CCT Switches as standard & pre-wired with a Fast Fit Flow™ connector or 3 in 1 multi-function dimming option for quicker and easier installation.



3 YR WARRANTY

PREWIRED FLOW CONNECTOR

IP20



30,000 Hour Lifetime



100° Beam Angle (°)

Multi-Function Dimmable



CCT Switch



Easily switch between 3 Colour Temperatures 3000K (Warm White), 4000K (Cool White) & 6000K (Daylight).

Our E-Sprite fittings can be used with our Multi-Function Constant Current LED Drivers on all 3 CCT Switchable Colour Temperatures. For extra versatility the range is also Compatible with the 4W Universal Emergency Pack.

Fast Fit Flow™ Connector

The E-Sprite includes an pre-wired push-fit 3 Pole Flow™ connector for quick and easy installation.

OVCGMF003
OVCGMF001



OEP4
OEP4-ST



9W Recessed LED Downlight With CCT Switch



AVAILABLE FINISHES



COLOUR TEMPERATURE



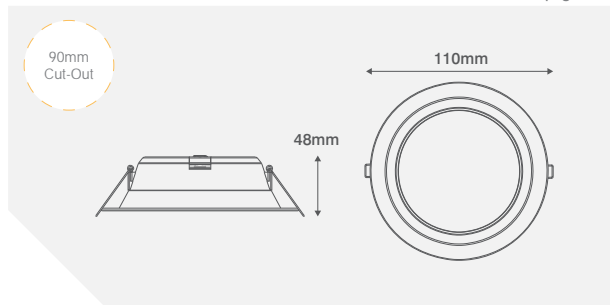
CODE	DESCRIPTION
OV679CTA	9W 110mm Downlight - White

PRODUCT INFO

CCT (K)	3000	4000	6000
Lumens (lm)	720	855	765
Efficacy (lm/W)	80	95	85
Wattage (W)	9		
CRI	>80		
Beam Angle (°)	100		
LED Lifetime (Hrs)	30000		
Voltage (AC)	220-240		
Frequency (Hz)	50/60		
Dimmable	No		
Operating Temp	-5 to +50		

COMPATIBLE PRODUCTS

OVCGMF0003	240V 12.7-33.7W Multi-function Dimmable Constant Current LED Driver	See page 302
OEP4	3 Hour Universal Emergency Pack	See page 457
OEP4ST	3 Hour Self-Test Universal Emergency Pack	See page 457



Complete with Remote Driver & prewired push-fit Flow™ Connector

PRODUCT APPROVALS

BS EN 60598-1; BS EN IEC 60598-2-1; BS EN 62471; BS EN 55015; BS EN 61000-3-2; BS EN 61000-3-3; BS EN 61547



15W Recessed LED Downlight With CCT Switch

AVAILABLE FINISHES



COLOUR TEMPERATURE



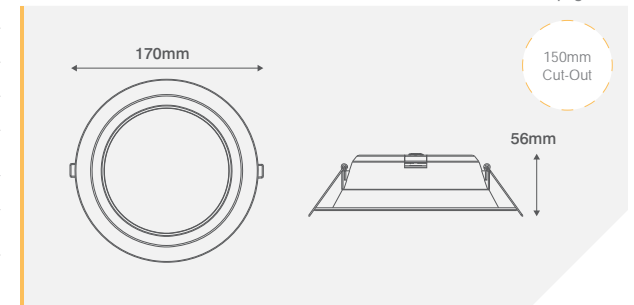
PRODUCT INFO

CCT (K)	3000	4000	6000
Lumens (lm)	1200	1500	1425
Efficacy (lm/W)	80	100	95
Wattage (W)	15		
CRI	>80		
Beam Angle (°)	100		
LED Lifetime (Hrs)	30000		
Voltage (AC)	220-240		
Frequency (Hz)	50/60		
Dimmable	No		
Operating Temp	-5 to +50		

CODE	DESCRIPTION
OV6715CTA	15W 170mm Downlight - White

COMPATIBLE PRODUCTS

OVCGMF0003	240V 12.7-33.7W Multi-function Dimmable Constant Current LED Driver	See page 302
OEP4	3 Hour Universal Emergency Pack	See page 457
OEP4ST	3 Hour Self-Test Universal Emergency Pack	See page 457



PRODUCT APPROVALS

Complete with Remote Driver & prewired push-fit Flow™ Connector

BS EN 60598-1; BS EN IEC 60598-2-1; BS EN 62471; BS EN 55015; BS EN 61000-3-2; BS EN 61000-3-3; BS EN 61547



25W Recessed LED Downlight With CCT Switch



AVAILABLE FINISHES



COLOUR TEMPERATURE



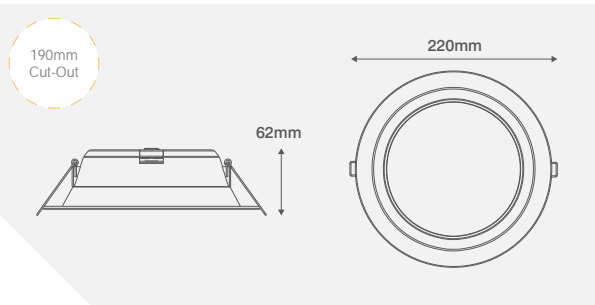
CODE	DESCRIPTION
OV6725CTA	25W 220mm Downlight - White

PRODUCT INFO

CCT (K)	3000	4000	6000
Lumens (lm)	2000	2500	2375
Efficacy (lm/W)	80	100	95
Wattage (W)	25		
CRI	>80		
Beam Angle (°)	100		
LED Lifetime (Hrs)	30000		
Voltage (AC)	220-240		
Frequency (Hz)	50/60		
Dimmable	No		
Operating Temp	-5 to +50		

COMPATIBLE PRODUCTS

OVCGMF0003	240V 12.7-33.7W Multi-function Dimmable Constant Current LED Driver	See page 302
OEP4	3 Hour Universal Emergency Pack	See page 457
OEP4ST	3 Hour Self-Test Universal Emergency Pack	See page 457



Complete with Remote Driver & prewired push-fit Flow™ Connector

PRODUCT APPROVALS

BS EN 60598-1; BS EN IEC 60598-2-1; BS EN 62471; BS EN 55015; BS EN 61000-3-2; BS EN 61000-3-3; BS EN 61547



30W Recessed LED Downlight With CCT Switch

AVAILABLE FINISHES



COLOUR TEMPERATURE



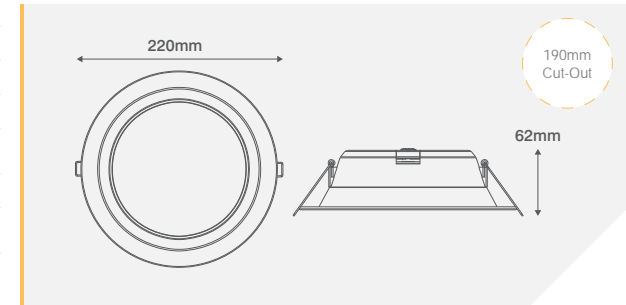
PRODUCT INFO

CCT (K)	3000	4000	6000
Lumens (lm)	2400	3000	2850
Efficacy (lm/W)	80	100	95
Wattage (W)	30		
CRI	>80		
Beam Angle (°)	100		
LED Lifetime (Hrs)	30000		
Voltage (AC)	220-240		
Frequency (Hz)	50/60		
Dimmable	No		
Operating Temp	-5 to +50		

CODE	DESCRIPTION
OV6730CTA	30W 220mm Downlight - White

COMPATIBLE PRODUCTS

OVCGMF0001	240V 29-48W 3 in 1 Multi-function Dimmable Constant Current LED Driver	See page 300
OEP4	3 Hour Universal Emergency Pack	See page 457
OEP4ST	3 Hour Self-Test Universal Emergency Pack	See page 457



PRODUCT APPROVALS

Complete with Remote Driver & prewired push-fit Flow™ Connector

BS EN 60598-1; BS EN IEC 60598-2-1; BS EN 62471; BS EN 55015; BS EN 61000-3-2; BS EN 61000-3-3; BS EN 61547



9W Recessed 3 in 1 Dimmable LED Downlight With CCT Switch

15W Recessed 3 in 1 Dimmable LED Downlight With CCT Switch

COMMERCIAL

COMMERCIAL



AVAILABLE FINISHES



3 IN 1 MULTI-FUNCTION
DALI | SWITCH DIM | 1-10V



AVAILABLE FINISHES



3 IN 1 MULTI-FUNCTION
DALI | SWITCH DIM | 1-10V

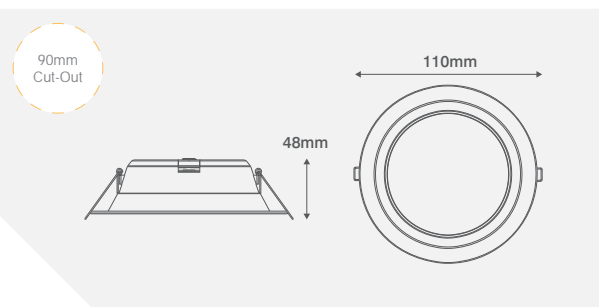


COLOUR TEMPERATURE



CODE	DESCRIPTION
OV679CTAMF	9W 110mm Dimmable Downlight - White
COMPATIBLE PRODUCTS	
OEP4	3 Hour Universal Emergency Pack See page 457
OEP4ST	3 Hour Self-Test Universal Emergency Pack See page 457

PRODUCT INFO			
CCT (K)	3000	4000	6000
Lumens (lm)	720	855	765
Efficacy (lm/W)	80	95	85
Wattage (W)	9		
CRI	>80		
Beam Angle (°)	100		
LED Lifetime (Hrs)	30000		
Voltage (AC)	220-240		
Frequency (Hz)	50/60		
Dimmable	Yes		
Operating Temp	-20 to +50		



Complete with Remote 3 in 1 Multi-function Driver (Switch Dim, 1-10V & DALI)

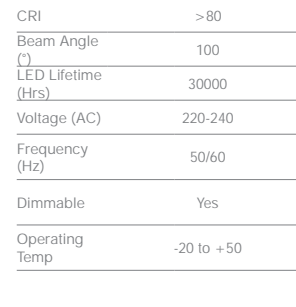
PRODUCT APPROVALS

BS EN 60598-1; BS EN IEC 60598-2-1; BS EN 62471; BS EN 55015; BS EN 61000-3-2; BS EN 61000-3-3; BS EN 61547

COLOUR TEMPERATURE



PRODUCT INFO			
CCT (K)	3000	4000	6000
Lumens (lm)	1200	1500	1425
Efficacy (lm/W)	80	100	95
Wattage (W)	15		
CRI	>80		
Beam Angle (°)	100		
LED Lifetime (Hrs)	30000		
Voltage (AC)	220-240		
Frequency (Hz)	50/60		
Dimmable	Yes		
Operating Temp	-20 to +50		



PRODUCT APPROVALS

Complete with Remote 3 in 1 Multi-function Driver (Switch Dim, 1-10V & DALI)

BS EN 60598-1; BS EN IEC 60598-2-1; BS EN 62471; BS EN 55015; BS EN 61000-3-2; BS EN 61000-3-3; BS EN 61547



25W Recessed 3 in 1 Dimmable LED Downlight With CCT Switch

30W Recessed 3 in 1 Dimmable LED Downlight With CCT Switch

COMMERCIAL

COMMERCIAL



AVAILABLE FINISHES



3 IN 1 MULTI-FUNCTION
DALI | SWITCH DIM | 1-10V

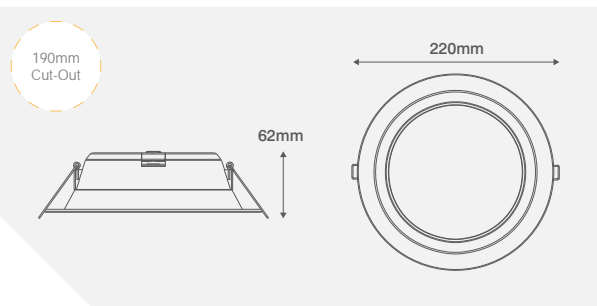


COLOUR TEMPERATURE



CODE	DESCRIPTION
OV6725CTAMF	25W 220mm Dimmable Downlight - White
COMPATIBLE PRODUCTS	
OEP4	3 Hour Universal Emergency Pack See page 457
OEP4ST	3 Hour Self-Test Universal Emergency Pack See page 457

PRODUCT INFO			
CCT (K)	3000	4000	6000
Lumens (lm)	2000	2500	2375
Efficacy (lm/W)	80	100	95
Wattage (W)	25		
CRI	>80		
Beam Angle (°)	100		
LED Lifetime (Hrs)	30000		
Voltage (AC)	220-240		
Frequency (Hz)	50/60		
Dimmable	Yes		
Operating Temp	-20 to +50		



Complete with Remote 3 in 1 Multi-function Driver (Switch Dim, 1-10V & DALI)

PRODUCT APPROVALS

BS EN 60598-1; BS EN IEC 60598-2-1; BS EN 62471; BS EN 55015; BS EN 61000-3-2; BS EN 61000-3-3; BS EN 61547

AVAILABLE FINISHES



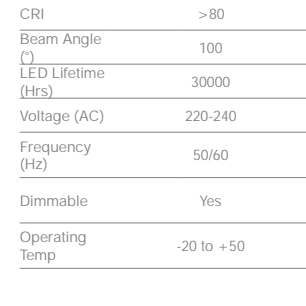
3 IN 1 MULTI-FUNCTION
DALI | SWITCH DIM | 1-10V



COLOUR TEMPERATURE



PRODUCT INFO			
CCT (K)	3000	4000	6000
Lumens (lm)	2400	3000	2850
Efficacy (lm/W)	80	100	95
Wattage (W)	30		
CRI	>80		
Beam Angle (°)	100		
LED Lifetime (Hrs)	30000		
Voltage (AC)	220-240		
Frequency (Hz)	50/60		
Dimmable	Yes		
Operating Temp	-20 to +50		



PRODUCT APPROVALS

Complete with Remote 3 in 1 Multi-function Driver (Switch Dim, 1-10V & DALI)

BS EN 60598-1; BS EN IEC 60598-2-1; BS EN 62471; BS EN 55015; BS EN 61000-3-2; BS EN 61000-3-3; BS EN 61547





HANDY TOOLS

The most comprehensive electricians tool kit in your pocket!
Download the Scolmore Group App today!

The Scolmore® Group App Includes...

- ▲ Complete range of searchable products
- ▲ Create a quote basket
- ▲ Product & tutorial videos
- ▲ Catalogue downloads
- ▲ Latest news & upcoming events and more...



Tool Kit...

- ▲ Inceptor Intense Strip Calculator
- ▲ Lighting Cost Saving Calculator
- ▲ Light Fitting Quantity Calculator
- ▲ Quick Quote Calculator
- ▲ Zs Values
- ▲ Cables Selection & Voltage (AC) Drop
- ▲ Adiabatic Equation Calculator
- ▲ Power Factor Calculator
- ▲ KVA Converter
- ▲ Resistance Calculator
- ▲ Voltage (AC) Calculator
- ▲ Current Calculator
- ▲ Power Calculator





INDUSTRIAL LIGHTING

INDUSTRIAL LIGHTING

With efficiency and project management in mind Ovia's offering utilises some of the highest lumens per watt (Lm/W) currently available.

Our selection of Highbay lighting has been created to suit a variety of applications and are suitable for suspending from ceilings or wall mounting using the appropriate bracket available. The fittings are IP65 rated and built for purpose with an IK10 rating in order to withstand knocks and bumps from machinery & personnel.

Dimmable options are also available using (0)1-10V input to achieve the required light level. Microwave sensor options are available with a remote control to set bespoke settings. This provides energy saving and the option to create timed sequences allowing the light level to dim down and off as required.

All industrial products within the range are supported by generous warranties.



INCEPTOR® PRODUCTS TO LOOK OUT FOR IN THIS SECTION...



HI-LITE

Switch  Inceptor

Contents

Hi-lite Highbay **346**

Dali Signal Converter **352**

INCEPTOR[®] HI-LITE

LED Dimmable Highbay

We have two versions of this fitting, a 0(1)-10V dimmable and a Microwave Sensor version. Both boast an IP65 and IK10 rating, IK10 is one of the highest degree of mechanical protection defined by BS EN 62262: 2002 standard.



IK10
Rated
Fitting



Energy Saving
Sensor
Activation

The Inceptor[®] Hi-Lite allows you to save energy with the built in sensor by activating lights only in areas that are occupied.

Microwave Sensor Version Available.



Dust Tight
& Water
Resistant



Colour
Temperature
Adjustable

The Inceptor[®] Hi-Lite has the ability to change the colour temperature between the below:

- 4000K - Cool White
- 5000K - Cool White
- 6500K - Daylight

CCT switch is located inside the IP65 threaded cap.



Food Safe

Supplied with a polycarbonate diffuser as standard making this an ideal lighting solution for food safe environments.

Chain Mountable Hook

Supplied as standard and not required as a separate accessory



Mounting
Bracket
(sold separately)



50,000 Hour
Lifetime



Dimmable



90°
Beam Angle (°)

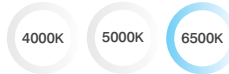
0(1)-10V Dimmable IP65 LED Highbay With CCT Switch



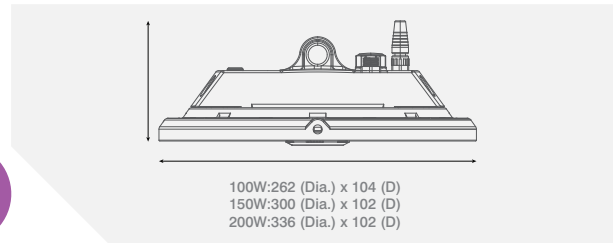
AVAILABLE FINISHES



COLOUR TEMPERATURE



CODE	DESCRIPTION	
OXHL100	100W Dimmable Highbay - Black	
OXHL150	150W Dimmable Highbay - Black	
OXHL200	200W Dimmable Highbay - Black	
COMPATIBLE PRODUCTS		
OVWB108*	Bracket For Hi-Lite Highbay Fitting	See page 350
OXHLEP	5W 3 Hour Maintained IP65 Emergency Pack	See page 351
OEPL*	Highbay Emergency Pack Coupler Leads	See page 351
OVHBDACV	IP67 DALI To PWM Signal Converter	See page 348



Prewired with 3 metre flyleads

PRODUCT APPROVALS

BS EN 60598-1; BS EN IEC 60598-2-1; BS EN 55015; BS EN 61547; BS EN 61000-3-2; BS EN 61000-3-3; IESNA LM-80-15



0(1)-10V Dimmable IP65 LED Highbay With CCT Switch & Microwave Sensor

AVAILABLE FINISHES

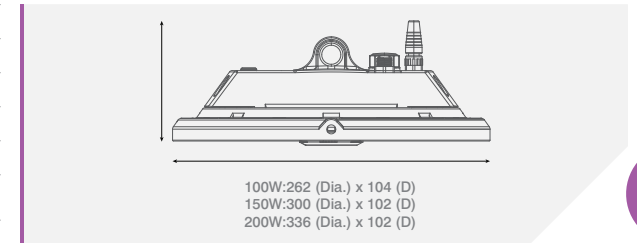


COLOUR TEMPERATURE



PRODUCT INFO	CCT (K)	4000	5000	6500
Lumens (lm) 100W		15500	16500	15000
Lumens (lm) 150W		23250	24750	22500
Lumens (lm) 200W		31000	33000	30000
Efficacy (lm/W)		155	165	150
Wattage (W)		100	150	200
CRI		80		
Beam Angle (°)		90		
LED Lifetime (Hrs)		50000		
Voltage (V~)		220-240		
Frequency (Hz) (Hz)		50/60		
Dimmable		Via The Sensor		
Operating Temp (°C)		-40 to +50		

CODE	DESCRIPTION	
OXHL100-M	100W Highbay With Microwave Sensor - Black	
OXHL150-M	150W Highbay With Microwave Sensor - Black	
OXHL200-M	200W Highbay With Microwave Sensor - Black	
COMPATIBLE PRODUCTS		
OVWB108*	Bracket For Hi-Lite Highbay Fitting	See page 350
OXHLEP	5W 3 Hour Maintained IP65 Emergency Pack	See page 351
OEPL*	Highbay Emergency Pack Coupler Leads	See page 351
OVCGHBIRR	Remote Control For Highbay Fittings With Microwave Sensor	See page 350



PRODUCT APPROVALS

Prewired with 3 metre flylead

BS EN 60598-1; BS EN IEC 60598-2-1; BS EN 55015; BS EN 61547; BS EN 61000-3-2; BS EN 61000-3-3; IESNA LM-80-15



Inceptor Hi-Lite Highbay Accessories

WARRANTY
2
YEAR



AVAILABLE FINISHES



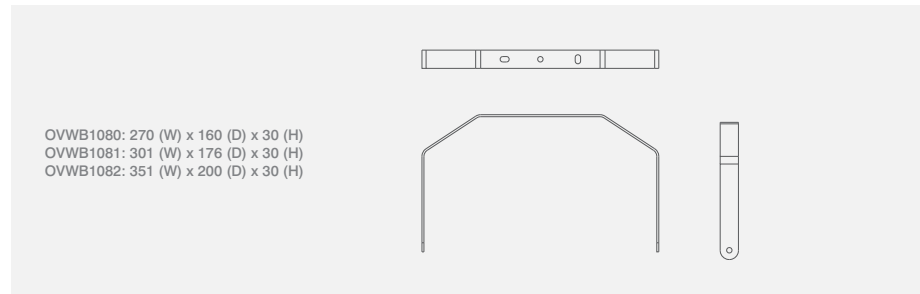
CODE	DESCRIPTION
OVCGBIRR	Microwave Sensor Remote Control 2 x AAA batteries required.



AVAILABLE FINISHES



CODE	DESCRIPTION
OVWB1080	Bracket For 100W Inceptor Hi-Lite Highbay Fitting
OVWB1081	Bracket For 150W Inceptor Hi-Lite Highbay Fitting
OVWB1082	Bracket For 200W Inceptor Hi-Lite Highbay Fitting



OVWB1080: 270 (W) x 160 (D) x 30 (H)
OVWB1081: 301 (W) x 176 (D) x 30 (H)
OVWB1082: 351 (W) x 200 (D) x 30 (H)

Suitable for wall or ceiling mounting

Inceptor® Hi-Lite Emergency Pack Coupler Leads

AVAILABLE FINISHES



WARRANTY
4
YEAR



CODE	DESCRIPTION	Enables the emergency pack to be located further from the highbay
OEPCLO5	Inceptor® Hi-Lite Coupler Lead - 0.5M	
OEPCL1	Inceptor® Hi-Lite Coupler Lead - 1.0M	

Inceptor® Hi-Lite Maintained Emergency Pack - IP65

AVAILABLE FINISHES



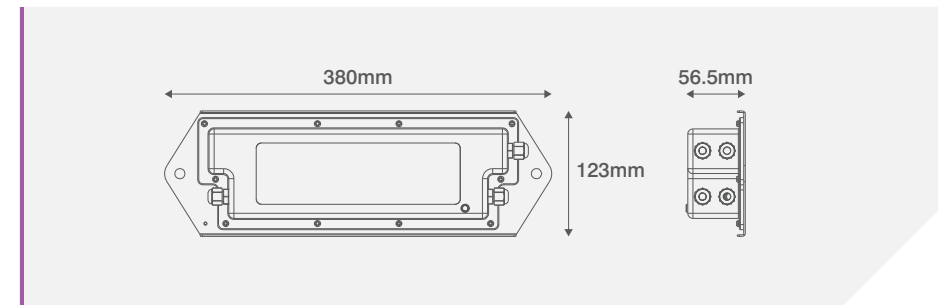
BATTERY WARRANTY
4
YEAR



WARRANTY
4
YEAR



PRODUCT INFO	CODE	DESCRIPTION
Circuit Wattage (W)	5	OXHLEP Inceptor® Hi-Lite 5W 3 Hour Emergency Pack – Black Input & outputs prewired with 1 metre flyleads Distance between highbay and emergency can be extended using coupler leads (3 Metre Max.)
Voltage (AC)	220-240	
Frequency (Hz) (Hz)	50/60	
Operating Temp (°C)	0 to +40	



PRODUCT APPROVALS

BS EN 61347-1 BS EN 61347-2-7 BS EN 55015 BS EN 61547 BS EN 61000-3-2 BS EN 61000-3-3



Highbay Accessories

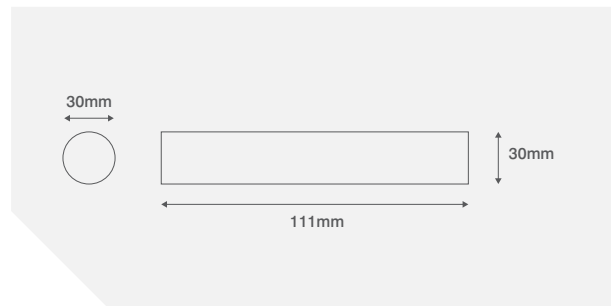
INDUSTRIAL



AVAILABLE FINISHES



CODE	DESCRIPTION	PRODUCT INFO
OVHBDACV	IP67 DALI Signal Converter	<p>Input Voltage (V~) (V DC) 10 - 22.5</p> <p>Input Current (mA) <6 (not during transforming)</p> <p>Operating Temp (°C) -30 to +60</p>



DALI to PWM (1-10V) Converter

PRODUCT APPROVALS

BS EN 62386-101 BS EN 62386-102 BS EN 62386-103 BS EN 62386-207 BS EN 55015



DALI

Signal Converter

Ideal for a variety of lighting applications the high performance, reliable non isolated signal converter is compatible with PWM dimmable drivers. One converter can control one LED driver with strong output PWM signal and it has a dimming range of 10%-100% (dim to off).



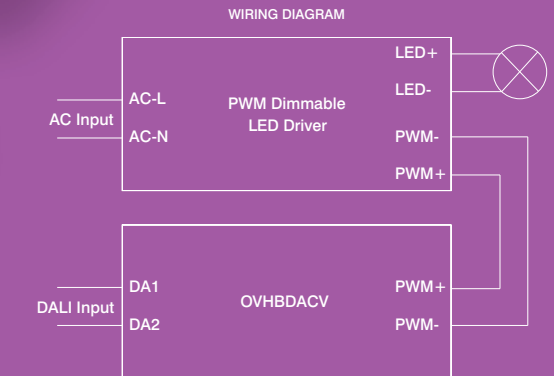
Twist Torque of 2.8-3.7Nm

Telescopic Waterproof Silicone Ring

Stud

Nut

PWM Dimmable LED Driver



Dali Dimming



A dark, industrial interior with a grid of panels. Two square lights are illuminated, casting a glow. The floor is a light-colored, textured surface. The overall atmosphere is dim and industrial.

FLOOD LIGHTING

FLOOD LIGHTING

An extensive range of powerful and efficient Flood, Wall Pack and Street lighting, offering a wide range of solutions for external applications.

The floodlighting range has a robust and varied aesthetics to suit any application, is fully IP rated offering protection against dust and moisture and can be used both indoors and outdoors.

This modern range has high quality LED's installed, offering 30,000 and 50,000 hours (L70) lifetime and come with a 3 or 5 year warranty.

Contents

Asymmetric Floodlighting	360
Wall Pack	372
Floodlighting	386
Solar Floodlighting	396
Pathfinder LED Floodlighting	401
LED Floodlighting with PIR	406
LED Floodlighting	410
LED Floodlighting with Photocell	414

INCEPTOR® PRODUCTS TO LOOK OUT FOR IN THIS SECTION...



MURUS



ACE



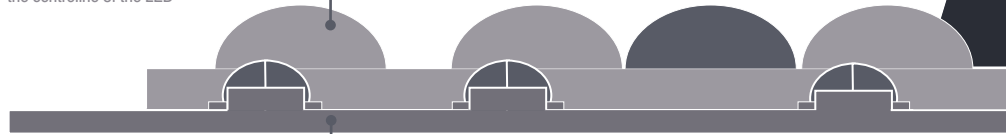
ASYMMETRIC LIGHTING

50% Better Output

Asymmetric floodlights can achieve up to a 50% better output utilisation into the intended illuminated area.

Asymmetric PC Lens

Raised section of lens is offset from the centreline of the LED



LED PCB

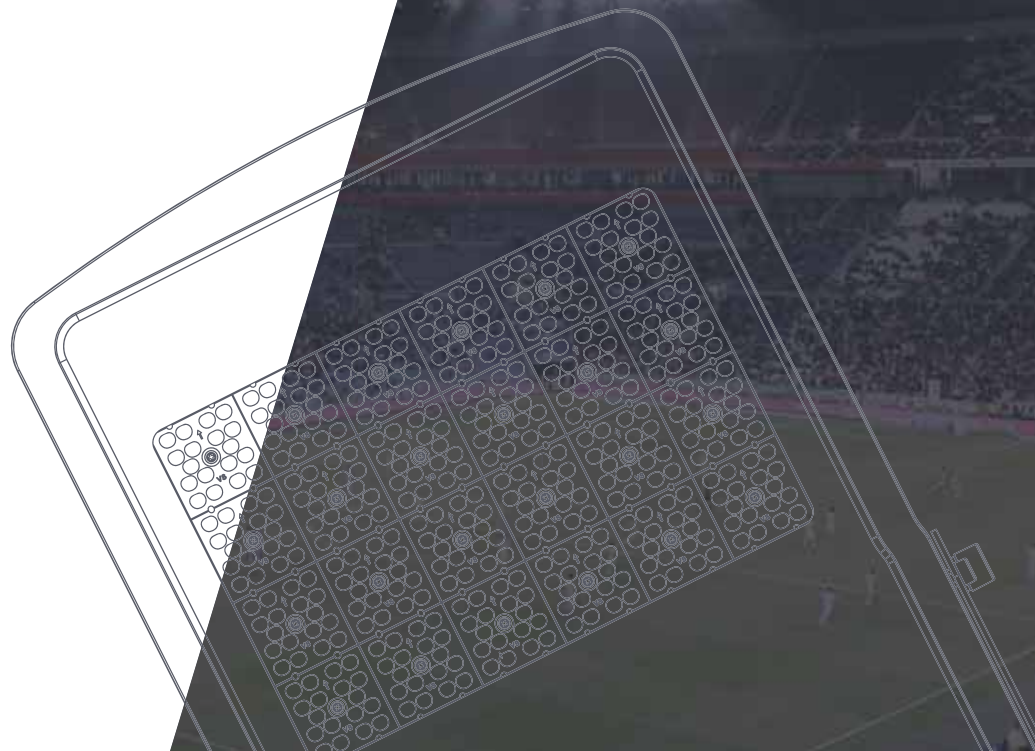
SECTION VIEW

Multiple LED chips, varying number per floodlight size

Superior Light Direction

Asymmetric floodlights are superior in concentrating light where it is needed by using reflectors to direct light in front of the fixture where illuminance is required, compared with symmetrical floodlights which distribute light evenly in all directions.

Compared with symmetric floodlights, asymmetric versions provide lower indirect glare for those using the space, making them perfect for use in sports grounds



INCEPTOR[®] ACE

LED Asymmetric Floodlight

Inceptor[®] Ace adjustable asymmetric floodlights provide a high quality range of indoor and outdoor lighting with modern aesthetics. Up to 300W versions available in a Black finish with 4000K Cool White LEDs.



Asymmetric LED Lens

Specifically designed lens inserts to direct each LED.



2M Pre-Wired Flex

2 metre pre-wired flex cable for quick and easy installation.



Angle Adjustable Bracket

Fully adjustable bracket allowing full control of the projection angle.



Aluminium Rear Housing

ADC12 Aluminium Housing

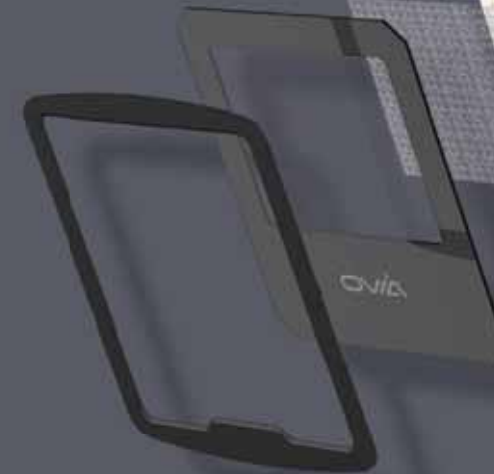
2m Pre-Wired Cable

LED PCB Assembly

60° x 120° beam angle

Tempered Glass Protector

Laser etched OVIA branding with blackout border



Asymmetric PC Lens

Specifically designed lens inserts to direct each LED

Aluminium Front Plate

Black powder coated finish

Angle Adjustment Screws

Aluminium Mounting Bracket

Black powder coated adjustable bracket

Internal Driver



50,000 Hour Lifetime



60° x 120° Beam Angle (°)



Asymmetric Lens



Photocell Sensor Version Available

50W IP65 LED Asymmetric Floodlight



AVAILABLE FINISHES

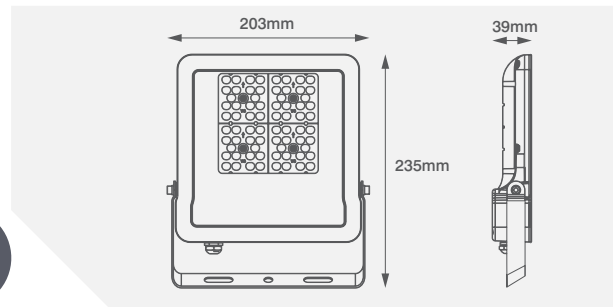


COLOUR TEMPERATURE



CODE	DESCRIPTION	PRODUCT INFO
------	-------------	--------------

OV10250BKCW	50W Floodlight - 4000K - Black	<table border="1"> <tbody> <tr> <td>CCT (K)</td> <td>4000</td> </tr> <tr> <td>Lumens (lm)</td> <td>5500</td> </tr> <tr> <td>Efficacy (lm/W)</td> <td>110</td> </tr> <tr> <td>Wattage (W)</td> <td>50</td> </tr> <tr> <td>CRI</td> <td>>80</td> </tr> <tr> <td>Beam Angle (°)</td> <td>60 x 120</td> </tr> <tr> <td>LED Lifetime (Hrs)</td> <td>50000</td> </tr> <tr> <td>Voltage (V~)</td> <td>220-240</td> </tr> <tr> <td>Frequency (Hz)</td> <td>50/60</td> </tr> <tr> <td>Dimmable</td> <td>No</td> </tr> <tr> <td>Operating Temp (°C)</td> <td>-20 to +40</td> </tr> </tbody> </table>	CCT (K)	4000	Lumens (lm)	5500	Efficacy (lm/W)	110	Wattage (W)	50	CRI	>80	Beam Angle (°)	60 x 120	LED Lifetime (Hrs)	50000	Voltage (V~)	220-240	Frequency (Hz)	50/60	Dimmable	No	Operating Temp (°C)	-20 to +40
CCT (K)	4000																							
Lumens (lm)	5500																							
Efficacy (lm/W)	110																							
Wattage (W)	50																							
CRI	>80																							
Beam Angle (°)	60 x 120																							
LED Lifetime (Hrs)	50000																							
Voltage (V~)	220-240																							
Frequency (Hz)	50/60																							
Dimmable	No																							
Operating Temp (°C)	-20 to +40																							



Prewired with 2 metre flylead

PRODUCT APPROVALS

BS EN 60598-1 BS EN 60598-2-5 BS EN 55015 BS EN 61547 BS EN 62471 BS EN 62493 BS EN61000-3-2 BS EN61000-3-3



100W IP65 LED Asymmetric Floodlight



AVAILABLE FINISHES

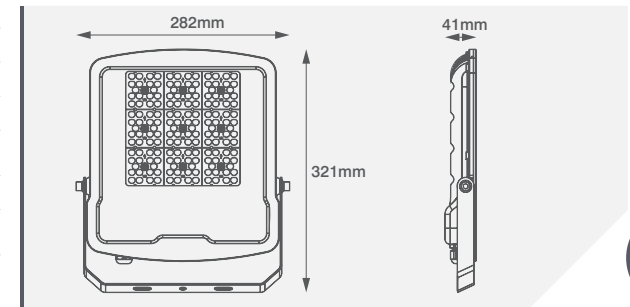


COLOUR TEMPERATURE



PRODUCT INFO	CODE	DESCRIPTION
--------------	------	-------------

<table border="1"> <tbody> <tr> <td>CCT (K)</td> <td>4000</td> </tr> <tr> <td>Lumens (lm)</td> <td>12000</td> </tr> <tr> <td>Efficacy (lm/W)</td> <td>120</td> </tr> <tr> <td>Wattage (W)</td> <td>100</td> </tr> <tr> <td>CRI</td> <td>>80</td> </tr> <tr> <td>Beam Angle (°)</td> <td>60 x 120</td> </tr> <tr> <td>LED Lifetime (Hrs)</td> <td>50000</td> </tr> <tr> <td>Voltage (V~)</td> <td>220-240</td> </tr> <tr> <td>Frequency (Hz)</td> <td>50/60</td> </tr> <tr> <td>Dimmable</td> <td>No</td> </tr> <tr> <td>Operating Temp (°C)</td> <td>-20 to +40</td> </tr> </tbody> </table>	CCT (K)	4000	Lumens (lm)	12000	Efficacy (lm/W)	120	Wattage (W)	100	CRI	>80	Beam Angle (°)	60 x 120	LED Lifetime (Hrs)	50000	Voltage (V~)	220-240	Frequency (Hz)	50/60	Dimmable	No	Operating Temp (°C)	-20 to +40	OV102100BKCW	100W Floodlight - 4000K - Black
CCT (K)	4000																							
Lumens (lm)	12000																							
Efficacy (lm/W)	120																							
Wattage (W)	100																							
CRI	>80																							
Beam Angle (°)	60 x 120																							
LED Lifetime (Hrs)	50000																							
Voltage (V~)	220-240																							
Frequency (Hz)	50/60																							
Dimmable	No																							
Operating Temp (°C)	-20 to +40																							



PRODUCT APPROVALS

Prewired with 2 metre flylead

BS EN 60598-1 BS EN 60598-2-5 BS EN 55015 BS EN 61547 BS EN 62471 BS EN 62493 BS EN61000-3-2 BS EN61000-3-3



150W IP65 LED Asymmetric Floodlight



AVAILABLE FINISHES

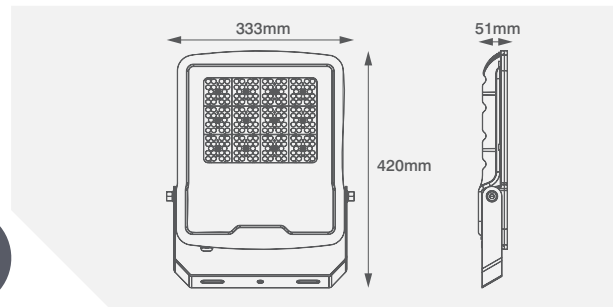


COLOUR TEMPERATURE



CODE	DESCRIPTION
OV102150BKCW	150W Floodlight - 4000K - Black

PRODUCT INFO	
CCT (K)	4000
Lumens (lm)	18000
Efficacy (lm/W)	120
Wattage (W)	150
CRI	>80
Beam Angle (°)	60 x 120
LED Lifetime (Hrs)	50000
Voltage (V~)	220-240
Frequency (Hz)	50/60
Dimmable	No
Operating Temp (°C)	-20 to +40



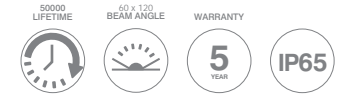
Prewired with 2 metre flylead

PRODUCT APPROVALS

BS EN 60598-1 BS EN 60598-2-5 BS EN 55015 BS EN 61547 BS EN 62471 BS EN 62493 BS EN61000-3-2 BS EN61000-3-3



200W IP65 LED Asymmetric Floodlight



AVAILABLE FINISHES

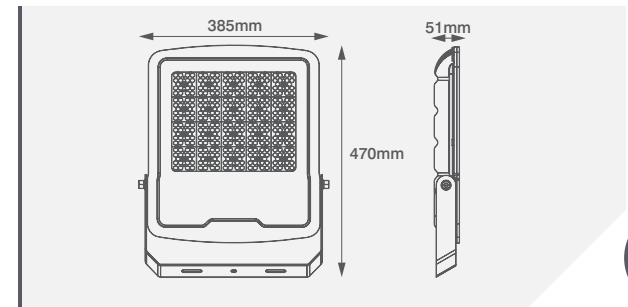


COLOUR TEMPERATURE



PRODUCT INFO	
CCT (K)	4000
Lumens (lm)	24000
Efficacy (lm/W)	120
Wattage (W)	200
CRI	>80
Beam Angle (°)	60 x 120
LED Lifetime (Hrs)	50000
Voltage (V~)	220-240
Frequency (Hz)	50/60
Dimmable	No
Operating Temp (°C)	-20 to +40

CODE	DESCRIPTION
OV102200BKCW	200W Floodlight - 4000K - Black



PRODUCT APPROVALS

Prewired with 2 metre flylead

BS EN 60598-1 BS EN 60598-2-5 BS EN 55015 BS EN 61547 BS EN 62471 BS EN 62493 BS EN61000-3-2 BS EN61000-3-3



300W IP65 LED Asymmetric Floodlight

FLOODLIGHTING



AVAILABLE FINISHES

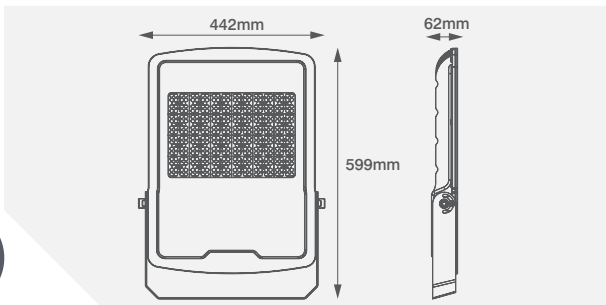


CODE	DESCRIPTION
OV102300BKCW	300W Floodlight - 4000K - Black

COLOUR TEMPERATURE



PRODUCT INFO	
CCT (K)	4000
Lumens (lm)	36000
Efficacy (lm/W)	120
Wattage (W)	300
CRI	>80
Beam Angle (°)	60 x 120
LED Lifetime (Hrs)	50000
Voltage (V~)	220-240
Frequency (Hz)	50/60
Dimmable	No
Operating Temp (°C)	-20 to +40



Prewired with 2 metre flylead

PRODUCT APPROVALS

BS EN 60598-1 BS EN 60598-2-5 BS EN 55015 BS EN 61547 BS EN 62471 BS EN 62493 BS EN61000-3-2 BS EN61000-3-3



INCEPTOR® ACE

LED Asymmetric Floodlight with Photocell



100W - 300W Photocell Versions

The Inceptor® Ace IP65 floodlights are suitable for lighting walkways and driveways, for highlighting architecture or as an uplighter to illuminate soffits etc.

With all of the great features and benefits of the Standard fitting the photocell option allows for use with remote PIR's or Microwave sensors.

The photocell options turn the light on when the light level drops under 10-20 lux and turns the light off once the light level is over 30-60 lux.



100W IP65 LED Asymmetric Floodlight With Photocell



AVAILABLE FINISHES

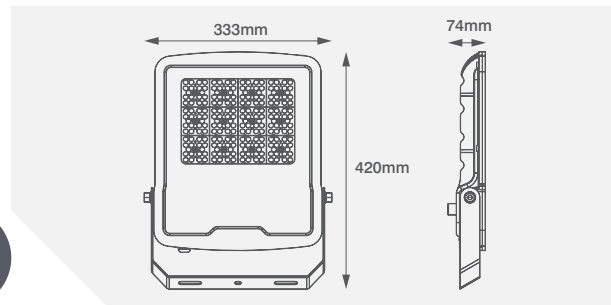


COLOUR TEMPERATURE



CODE	DESCRIPTION
OV102100BKCWPC	100W Floodlight With Photocell - 4000K - Black

PRODUCT INFO	
CCT (K)	4000
Lumens (lm)	12000
Efficacy (lm/W)	120
Wattage (W)	100
CRI	>80
Beam Angle (°)	60 x 120
LED Lifetime (Hrs)	50000
Voltage (V~)	220-240
Frequency (Hz)	50/60
Dimmable	No
Operating Temp (°C)	-20 to +40
Ambient Light 'ON'	10
Ambient Light 'OFF'	30 to 60



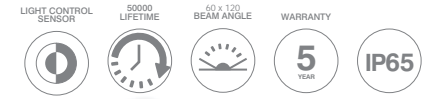
Prewired with 2 metre flylead

PRODUCT APPROVALS

BS EN 60598-1 BS EN 60598-2-5 BS EN 55015 BS EN 61547 BS EN 62471 BS EN 62493 BS EN61000-3-2 BS EN61000-3-3



150W IP65 LED Asymmetric Floodlight With Photocell



AVAILABLE FINISHES

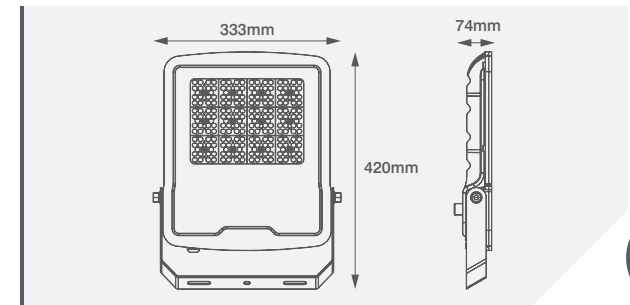


COLOUR TEMPERATURE



PRODUCT INFO	
CCT (K)	4000
Lumens (lm)	18000
Efficacy (lm/W)	120
Wattage (W)	150
CRI	>80
Beam Angle (°)	60 x 120
LED Lifetime (Hrs)	50000
Voltage (V~)	220-240
Frequency (Hz)	50/60
Dimmable	No
Operating Temp (°C)	-20 to +40
Ambient Light 'ON'	10
Ambient Light 'OFF'	30 to 60

CODE	DESCRIPTION
OV102150BKCWPC	150W Floodlight With Photocell - 4000K - Black



Prewired with 2 metre flylead

PRODUCT APPROVALS

BS EN 60598-1 BS EN 60598-2-5 BS EN 55015 BS EN 61547 BS EN 62471 BS EN 62493 BS EN61000-3-2 BS EN61000-3-3



200W IP65 LED Asymmetric Floodlight With Photocell



AVAILABLE FINISHES

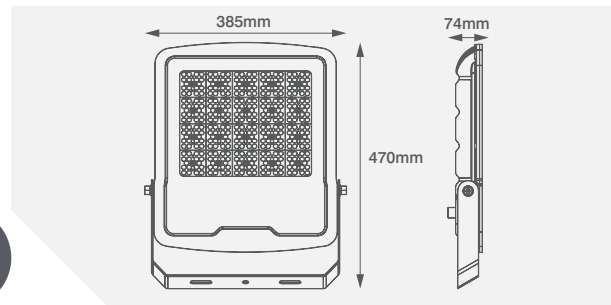


COLOUR TEMPERATURE



CODE	DESCRIPTION
OV102200BKCWPC	200W Floodlight With Photocell - 4000K - Black

PRODUCT INFO	
CCT (K)	4000
Lumens (lm)	24000
Efficacy (lm/W)	120
Wattage (W)	200
CRI	>80
Beam Angle (°)	60 x 120
LED Lifetime (Hrs)	50000
Voltage (V~)	220-240
Frequency (Hz)	50/60
Dimmable	No
Operating Temp (°C)	-20 to +40
Ambient Light 'ON'	10
Ambient Light 'OFF'	30 to 60



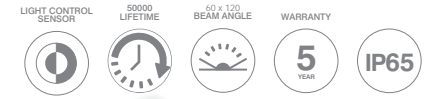
Prewired with 2 metre flylead

PRODUCT APPROVALS

BS EN 60598-1 BS EN 60598-2-5 BS EN 55015 BS EN 61547 BS EN 62471 BS EN 62493 BS EN61000-3-2 BS EN61000-3-3



300W IP65 LED Asymmetric Floodlight With Photocell



AVAILABLE FINISHES

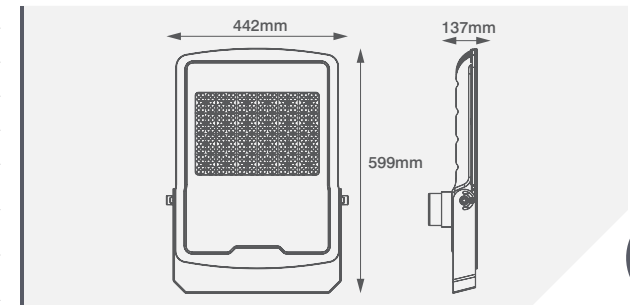


COLOUR TEMPERATURE



PRODUCT INFO	
CCT (K)	4000
Lumens (lm)	36000
Efficacy (lm/W)	120
Wattage (W)	300
CRI	>80
Beam Angle (°)	60 x 120
LED Lifetime (Hrs)	50000
Voltage (V~)	220-240
Frequency (Hz)	50/60
Dimmable	No
Operating Temp (°C)	-20 to +40
Ambient Light 'ON'	10
Ambient Light 'OFF'	30 to 60

CODE	DESCRIPTION
OV102300BKCWPC	300W Floodlight With Photocell - 4000K - Black



PRODUCT APPROVALS

Prewired with 2 metre flylead

BS EN 60598-1 BS EN 60598-2-5 BS EN 55015 BS EN 61547 BS EN 62471 BS EN 62493 BS EN61000-3-2 BS EN61000-3-3



INCEPTOR[®] MURUS

LED Wall Pack with Tridonic Driver

A range of LED wall packs, boasting an IK10 rating, ideal for use in outdoor environments. Available in either Anthracite Grey or Light Grey finishes.



Push Fit / Piano Key Terminal Block

Fast, simple and clear installation

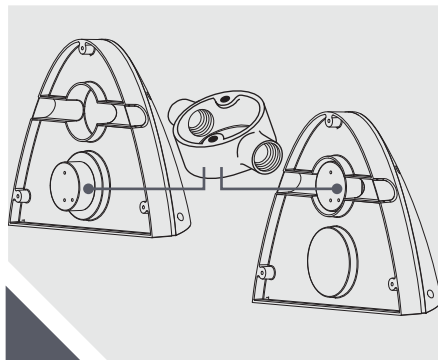
CCT Switch



All models include a CCT switch allowing the product to change colour temperature between Warm White 3000K Cool White 4000K and Daylight 6000K

BESA Box & Trunking Mountable

The backplate can be mounted on a BESA/ Conduit box & Trunking. Two areas allow a BESA/ conduit box to be mounted, one of which sits recessed into the base of the light. The user can use trunking to feed wires through and allow the light to sit surface mounted against a wall.



Photocell Version

The Inceptor[®] Murus will turn on when the lux level is below 10-30 lux. A photocell can help the customer save energy by allowing the light to turn on and off at set lux levels. The photocell options turn the light on when the light level drops under 10-20 lux and turns the light off once the light level is over 30-60 lux.



CCT Switch

Allows colour temperature change of LEDs

Gland compatibility

Can be used with IP rated 12mm-20mm glands

Mounting

The backplate can be mounted on a BESA/ Conduit box & Trunking

Piano key terminals

For easy wiring and quick installation

Surge Protection Device

Protects the device in case of a surge. Increases the longevity of the product.

On/Off Driver

Allows power to distribute to the luminaire

Photocell Sensor

Detection of lux level to allow energy saving

Diffuser

Dispenses light outwards

Emergency Driver & battery

Ensures there is lighting in case of an emergency

IK10 Rated Die-Cast Aluminium

Robust casing which helps protect against impact

IP seal

Ensures the luminaire internals are protected from the elements (IP66)

LED & Glass Lenses

Creates a beam angle of 80°x140°



Photocell Sensor Version Available



Emergency version available

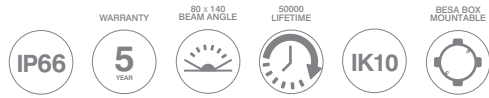


ME1-2 (TYPE II) 80°x140° Beam Angle (°)



Piano Key Terminal

15W IP66 LED Wall Pack - CCT



AVAILABLE FINISHES

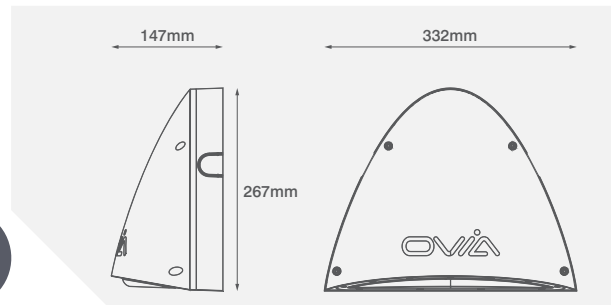


COLOUR TEMPERATURE



CODE	DESCRIPTION
OV2071AG15	15W Wall Pack - Anthracite Grey
OV2071LG15	15W Wall Pack - Light Grey

PRODUCT INFO			
CCT (K)	3000	4000	6000
Lumens (lm)	1650	1950	1650
Efficacy (lm/W)	110	130	110
Circuit Wattage (W)	15		
CRI	>80		
Beam Angle (°)	80 x 140		
LED Lifetime (Hrs)	50000		
Voltage (V~)	220-240		
Frequency (Hz)	50		
Dimmable	No		
Operating Temp (°C)	-25 to +50		



Integrated Tridonic LED Driver. Surge Protection Device Installed.

PRODUCT APPROVALS

BS EN 60598-1 BS EN 60598-2-1 BS EN 62471 BS EN 61058-1 BS EN 61347-1 BS EN 61347-2-7 BS EN 62493 BS EN 55015 BS EN 61547 BS EN 61000-3-2



15W IP66 LED Wall Pack - CCT

AVAILABLE FINISHES



COLOUR TEMPERATURE

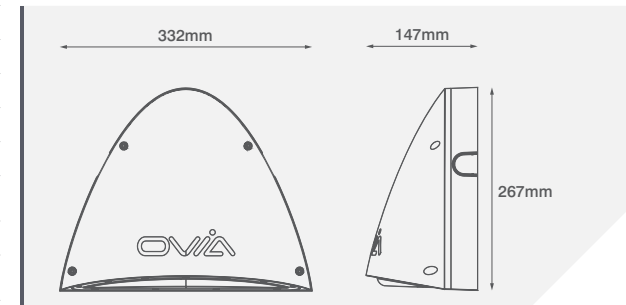


PRODUCT INFO			
CCT (K)	3000	4000	6000
Lumens (lm)	1650	1950	1650
Lumens (lm) (Emergency)	410		
Circuit Wattage (W)	86	102	86
Wattage (W)	17		
CRI	>80		
Beam Angle (°)	80 x 140		
LED Lifetime (Hrs)	50000		
Voltage (V~)	220-240		
Frequency (Hz)	50		
Dimmable	No		
Operating Temp (°C)	0 to +50		

CODE	DESCRIPTION
OV2071AG15EM	15W Wall Pack With Emergency - Anthracite Grey
OV2071LG15EM	15W Wall Pack With Emergency - Light Grey

COMPATIBLE PRODUCTS

OVEMB6415LIS 6.4V 1500mAh LiFePo4 Battery – Serial



PRODUCT APPROVALS

Integrated Tridonic LED Driver. Surge Protection Device Installed.

BS EN 60598-1 BS EN 60598-2-1 BS EN 60598-2-22 BS EN 62471 BS EN 61058-1 BS EN 61347-1 BS EN 61347-2-7 BS EN 62493 BS EN 55015 BS EN 61547



15W IP66 LED Wall Pack - CCT



AVAILABLE FINISHES



COLOUR TEMPERATURE

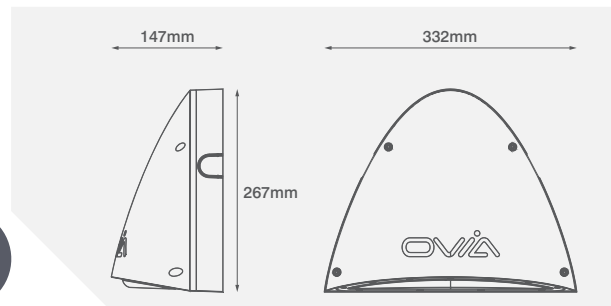


CODE DESCRIPTION

OV2071AG15PC	15W Wall Pack With Photocell - Anthracite Grey
OV2071LG15PC	15W Wall Pack With Photocell - Light Grey

PRODUCT INFO

CCT (K)	3000	4000	6000
Lumens (lm)	1650	1950	1650
Efficacy (lm/W)	110	130	110
Circuit Wattage (W)	15		
CRI	>80		
Beam Angle (°)	80 x 140		
LED Lifetime (Hrs)	50000		
Voltage (V~)	220-240		
Frequency (Hz)	50		
Dimmable	No		
Operating Temp (°C)	-25 to +50		



Integrated Tridonic LED Driver. Surge Protection Device Installed.

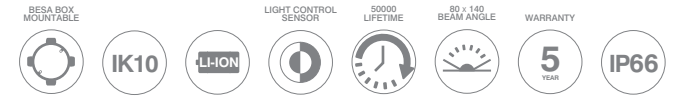
PRODUCT APPROVALS

BS EN 60598-1 BS EN 60598-2-1 BS EN 62471 BS EN 61058-1 BS EN 61347-1 BS EN 61347-2-7 BS EN 62493 BS EN 55015 BS EN 61547 BS EN 61000-3-2



15W IP66 LED Wall Pack - CCT

AVAILABLE FINISHES



COLOUR TEMPERATURE



PRODUCT INFO

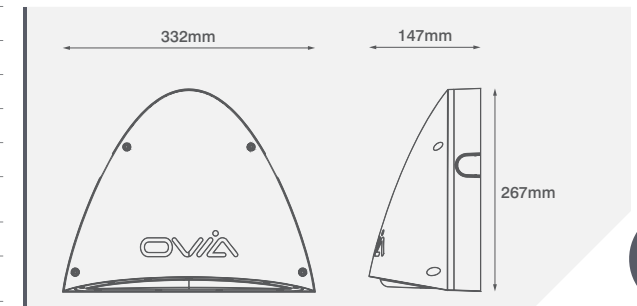
CCT (K)	3000	4000	6000
Lumens (lm)	1650	1950	1650
Lumens (lm) (Emergency)	410		
Efficacy (lm/W)	86	102	86
Circuit Wattage (W)	17		
CRI	>80		
Beam Angle (°)	80 x 140		
LED Lifetime (Hrs)	50000		
Voltage (V~)	220-240		
Frequency (Hz)	50		
Dimmable	No		
Operating Temp (°C)	0 to +50		

CODE DESCRIPTION

OV2071AG15EMPC	15W Wall Pack With Emergency & Photocell - Anthracite Grey
OV2071LG15EMPC	15W Wall Pack With Emergency & Photocell - Light Grey

COMPATIBLE PRODUCTS

OVEMB6415LIS	6.4V 1500mAh LiFePo4 Battery – Serial
--------------	---------------------------------------



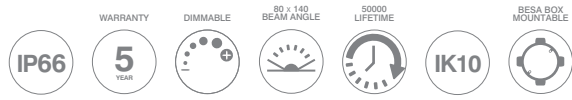
PRODUCT APPROVALS

Integrated Tridonic LED Driver. Surge Protection Device Installed.

BS EN 60598-1 BS EN 60598-2-1 BS EN 60598-2-22 BS EN 62471 BS EN 61058-1 BS EN 61347-1 BS EN 61347-2-7 BS EN 62493 BS EN 55015 BS EN 61547



15W IP66 Dimmable LED Wall Pack - CCT



AVAILABLE FINISHES

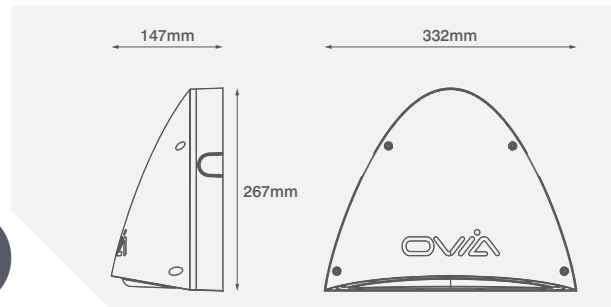


COLOUR TEMPERATURE



CODE	DESCRIPTION
OV2071AG15DA	15W Wall Pack With DALI - Anthracite Grey
OV2071LG15DA	15W Wall Pack With DALI - Light Grey

PRODUCT INFO			
CCT (K)	3000	4000	6000
Lumens (lm)	1650	1950	1650
Efficacy (lm/W)	110	130	110
Circuit Wattage (W)	15		
CRI	>80		
Beam Angle (°)	80 x 140		
LED Lifetime (Hrs)	50000		
Voltage (V~)	220-240		
Frequency (Hz)	50		
Dimmable	DALI		
Operating Temp (°C)	-25 to +50		



Surge Protection Device Installed.

PRODUCT APPROVALS

BS EN 60598-1; BS EN IEC 60598-2-1; BS EN 62471; BS EN 61058-1; BS EN 61347-1; BS EN 61347-2-7; BS EN 62493; BS EN 55015; BS EN 61547; BS EN 61000-3-2 & BS EN 61000-3-3



15W IP66 Dimmable LED Wall Pack - CCT

AVAILABLE FINISHES



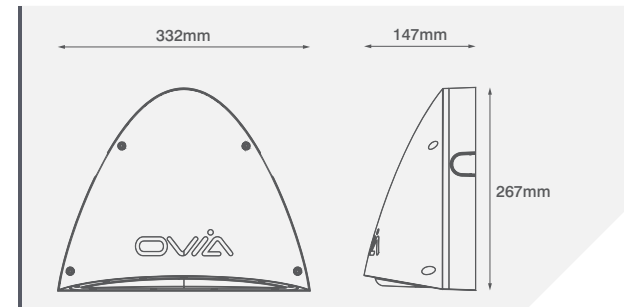
COLOUR TEMPERATURE



PRODUCT INFO			
CCT (K)	3000	4000	6000
Lumens (lm)	1650	1950	1650
Lumens (lm) (Emergency)	410		
Efficacy (lm/W)	86	102	86
Circuit Wattage (W)	17		
CRI	>80		
Beam Angle (°)	80 x 140		
LED Lifetime (Hrs)	50000		
Voltage (V~)	220-240		
Frequency (Hz)	50		
Dimmable	DALI		
Operating Temp (°C)	0 to +50		

CODE	DESCRIPTION
OV2071AG15EMDA	15W Wall Pack With Emergency & DALI - Anthracite Grey
OV2071LG15EMDA	15W Wall Pack With Emergency & DALI - Light Grey

COMPATIBLE PRODUCTS	
OVEMB6415LIS	6.4V 1500mAh LiFePo4 Battery – Serial



PRODUCT APPROVALS

Surge Protection Device Installed.

BS EN 60598-1; BS EN 60598-2-1; BS EN 60598-2-22; BS EN 62471; BS EN 61058-1; BS EN 61347-1; BS EN 61347-2-7; BS EN 62493; BS EN 55015; BS EN 61547; BS EN 61000-3-2 & BS EN 61000-3-3



25W IP66 LED Wall Pack - CCT



AVAILABLE FINISHES

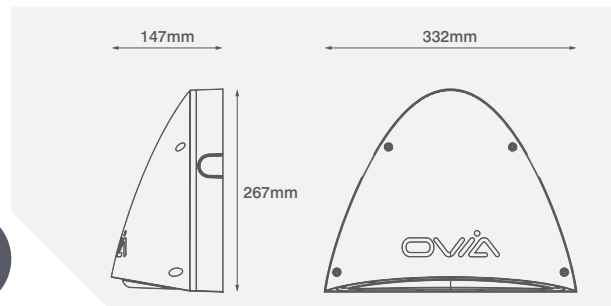


COLOUR TEMPERATURE



CODE	DESCRIPTION
OV2071AG25	25W Wall Pack - Anthracite Grey
OV2071LG25	25W Wall Pack - Light Grey

PRODUCT INFO			
CCT (K)	3000	4000	6000
Lumens (lm)	2500	3000	2500
Efficacy (lm/W)	100	120	100
Circuit Wattage (W)	25		
CRI	>80		
Beam Angle (°)	80 x 140		
LED Lifetime (Hrs)	50000		
Voltage (V~)	220-240		
Frequency (Hz)	50		
Dimmable	No		
Operating Temp (°C)	-25 to +50		



Integrated Tridonic LED Driver. Surge Protection Device Installed.

PRODUCT APPROVALS

BS EN 60598-1 BS EN 60598-2-1 BS EN 62471 BS EN 61058-1 BS EN 61347-1 BS EN 61347-2-7 BS EN 62493 BS EN 55015 BS EN 61547 BS EN 61000-3-2



25W IP66 LED Wall Pack - CCT

AVAILABLE FINISHES



COLOUR TEMPERATURE

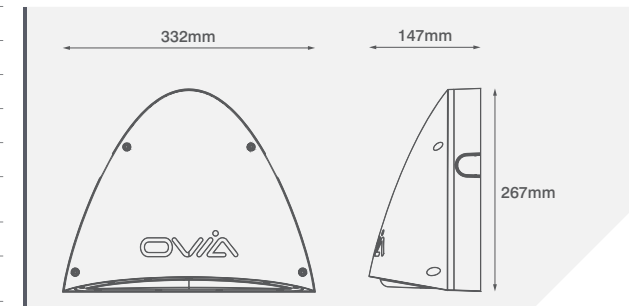


PRODUCT INFO			
CCT (K)	3000	4000	6000
Lumens (lm)	2500	3000	2500
Lumens (lm) (Emergency)	410		
Efficacy (lm/W)	86	103	86
Circuit Wattage (W)	27		
CRI	>80		
Beam Angle (°)	80 x 140		
LED Lifetime (Hrs)	50000		
Voltage (V~)	220-240		
Frequency (Hz)	50		
Dimmable	No		
Operating Temp (°C)	0 to +50		

CODE	DESCRIPTION
OV2071AG25EM	25W Wall Pack With Emergency - Anthracite Grey
OV2071LG25EM	25W Wall Pack With Emergency - Light Grey

COMPATIBLE PRODUCTS

OVEMB64 15LIS	6.4V 1500mAh LiFePo4 Battery - Serial
---------------	---------------------------------------



PRODUCT APPROVALS

Integrated Tridonic LED Driver. Surge Protection Device Installed.

BS EN 60598-1 BS EN 60598-2-1 BS EN 60598-2-22 BS EN 62471 BS EN 61058-1 BS EN 61347-1 BS EN 61347-2-7 BS EN 62493 BS EN 55015 BS EN 61547



25W IP66 LED Wall Pack - CCT



AVAILABLE FINISHES



COLOUR TEMPERATURE

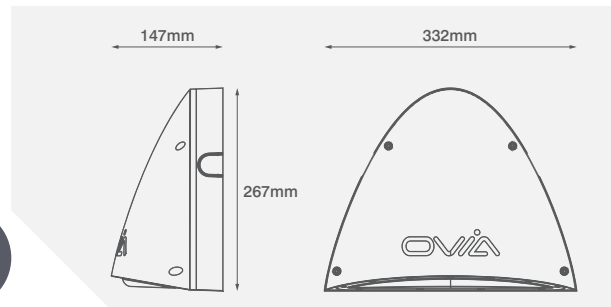


CODE DESCRIPTION

OV2071AG25PC	25W Wall Pack With Photocell - Anthracite Grey
OV2071LG25PC	25W Wall Pack With Photocell - Light Grey

PRODUCT INFO

CCT (K)	3000	4000	6000
Lumens (lm)	2500	3000	2500
Efficacy (lm/W)	100	120	100
Circuit Wattage (W)	25		
CRI	>80		
Beam Angle (°)	80 x 140		
LED Lifetime (Hrs)	50000		
Voltage (V~)	220-240		
Frequency (Hz)	50		
Dimmable	No		
Operating Temp (°C)	-25 to +50		



Integrated Tridonic LED Driver. Surge Protection Device Installed.

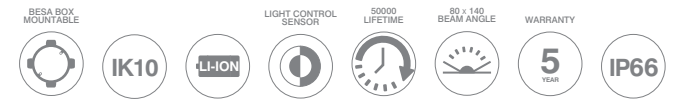
PRODUCT APPROVALS

BS EN 60598-1 BS EN 60598-2-1 BS EN 62471 BS EN 61058-1 BS EN 61347-1 BS EN 61347-2-7 BS EN 62493 BS EN 55015 BS EN 61547 BS EN 61000-3-2



25W IP66 LED Wall Pack - CCT

AVAILABLE FINISHES



COLOUR TEMPERATURE



PRODUCT INFO

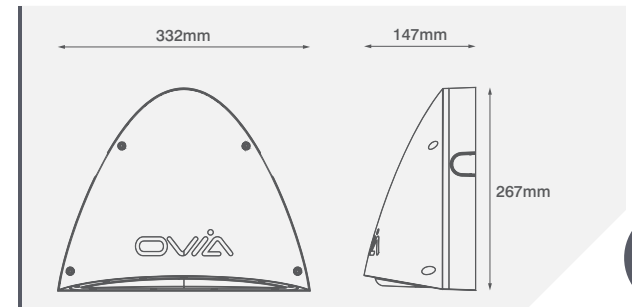
CCT (K)	3000	4000	6000
Lumens (lm)	2500	3000	2500
Lumens (lm) (Emergency)	410		
Efficacy (lm/W)	86	103	86
Circuit Wattage (W)	27		
CRI	>80		
Beam Angle (°)	80 x 140		
LED Lifetime (Hrs)	50000		
Voltage (V~)	220-240		
Frequency (Hz)	50		
Dimmable	No		
Operating Temp (°C)	0 to +50		

CODE DESCRIPTION

OV2071AG25EMPC	25W Wall Pack With Emergency & Photocell - Anthracite Grey
OV2071LG25EMPC	25W Wall Pack With Emergency & Photocell - Light Grey

COMPATIBLE PRODUCTS

OVEMB6415LIS	6.4V 1500mAh LiFePo4 Battery – Serial
--------------	---------------------------------------



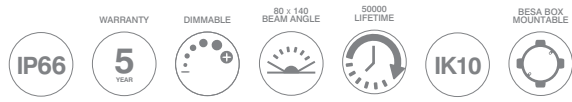
PRODUCT APPROVALS

Integrated Tridonic LED Driver. Surge Protection Device Installed.

BS EN 60598-1 BS EN 60598-2-1 BS EN 60598-2-22 BS EN 62471 BS EN 61058-1 BS EN 61347-1 BS EN 61347-2-7 BS EN 62493 BS EN 55015 BS EN 61547



25W IP66 Dimmable LED Wall Pack - CCT



AVAILABLE FINISHES



COLOUR TEMPERATURE

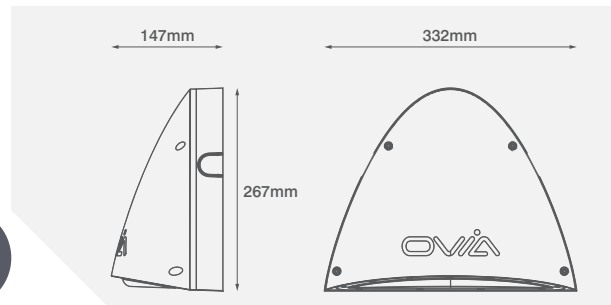


CODE DESCRIPTION

OV2071AG25DA	25W Wall Pack With DALI - Anthracite Grey
OV2071LG25DA	25W Wall Pack With DALI - Light Grey

PRODUCT INFO

CCT (K)	3000	4000	6000
Lumens (lm)	2500	3000	2500
Efficacy (lm/W)	100	120	100
Circuit Wattage (W)	25		
CRI	>80		
Beam Angle (°)	80 x 140		
LED Lifetime (Hrs)	50000		
Voltage (V~)	220-240		
Frequency (Hz)	50		
Dimmable	DALI		
Operating Temp (°C)	-25 to +50		



Surge Protection Device Installed.

PRODUCT APPROVALS

BS EN 60598-1; BS EN IEC 60598-2-1; BS EN 62471; BS EN 61058-1; BS EN 61347-1; BS EN 61347-2-7; BS EN 62493; BS EN 55015; BS EN 61547; BS EN 61000-3-2 & BS EN 61000-3-3



25W IP66 Dimmable LED Wall Pack - CCT

AVAILABLE FINISHES



COLOUR TEMPERATURE



PRODUCT INFO

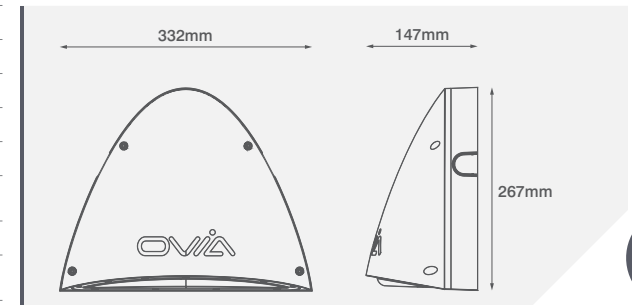
CCT (K)	3000	4000	6000
Lumens (lm)	2500	3000	2500
Lumens (lm) (Emergency)	410		
Efficacy (lm/W)	86	103	86
Circuit Wattage (W)	27		
CRI	>80		
Beam Angle (°)	80 x 140		
LED Lifetime (Hrs)	50000		
Voltage (V~)	220-240		
Frequency (Hz)	50		
Dimmable	DALI		
Operating Temp (°C)	0 to +50		

CODE DESCRIPTION

OV2071AG25EMDA	25W Wall Pack With Emergency & DALI - Anthracite Grey
OV2071LG25EMDA	25W Wall Pack With Emergency & DALI - Light Grey

COMPATIBLE PRODUCTS

OVEMB6415LIS	6.4V 1500mAh LiFePo4 Battery – Serial
--------------	---------------------------------------



PRODUCT APPROVALS

Surge Protection Device Installed.

BS EN 60598-1; BS EN 60598-2-1; BS EN 60598-2-22; BS EN 62471; BS EN 61058-1; BS EN 61347-1; BS EN 61347-2-7; BS EN 62493; BS EN 55015; BS EN 61547; BS EN 61000-3-2 & BS EN 61000-3-3



SENTRO

10/20/30/50W options with standard or PIR variants.



Whatever the weather.
IP65 rated frameless floodlights.

IP65

Designed to thrive in the most demanding environments, its IP65 rating ensures unwavering performance, rain or shine.



Adjustable and angled bracket

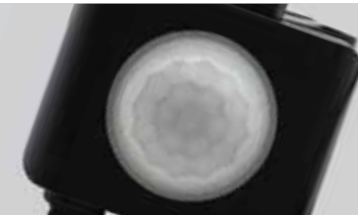


1 metre cable

Sentro (PIR)

Large angle & range

The PIR versions of the Sentro have a 120° PIR detection angle, 8M detection range and are IP65 rated.



PIR Versions



100° beam angle



Two colour temperature options to choose from

Warm white or cool white options are available in each wattage.

3000K

4000K

The Sentro floodlight range creates a crisp 3000K or 4000K colour temperature glow.

10W IP65 LED Frameless Floodlight



AVAILABLE FINISHES

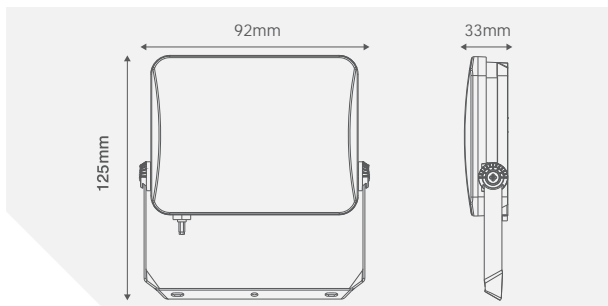


COLOUR TEMPERATURE



CODE	DESCRIPTION
OS10C-B	10W Frameless Floodlight - 4000K - Black
OS10W-B	10W Frameless Floodlight - 3000K - Black

PRODUCT INFO		
CCT (K)	3000	4000
Lumens (lm)	900	
Efficacy (lm/W)	90	
Wattage (W)	10	
CRI	>80	
Beam Angle (°)	100	
LED Lifetime (Hrs)	20000	
Voltage (AC)	220-240	
Frequency (Hz)	50	
Operating Temp (°C)	+25	



Prewired with 1 metre flylead

PRODUCT APPROVALS

BS EN 60598-1; BS EN 60598-2-5; BS EN 55015; BS EN 61547; BS EN 62471; BS EN 62493; BS EN 61000-3-2; BS EN 61000-3-3



10W IP65 LED Frameless Floodlight With PIR

AVAILABLE FINISHES

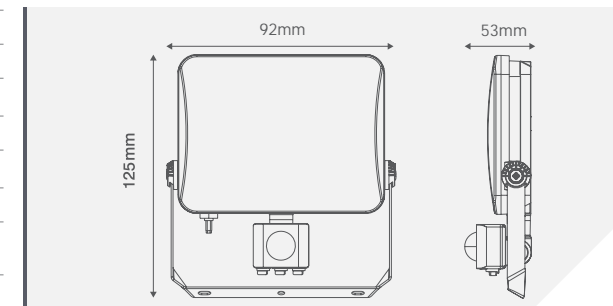


COLOUR TEMPERATURE



PRODUCT INFO		
CCT (K)	3000	4000
Lumens (lm)	900	
Efficacy (lm/W)	90	
Wattage (W)	10	
CRI	>80	
Beam Angle (°)	100	
LED Lifetime (Hrs)	20000	
Voltage (AC)	220-240	
Frequency (Hz)	50	
Detection Angle (°)	120	
Detection Distance (M)	8	
Operating Temp (°C)	+25	
Daylight Sensitivity (Lux)	10 to 2000	
Time Delay Setting	10 Secs to 3 Mins	

CODE	DESCRIPTION
OS10C-P-B	10W Frameless Floodlight With PIR - 4000K - Black
OS10W-P-B	10W Frameless Floodlight With PIR - 3000K - Black



PRODUCT APPROVALS

Prewired with 1 metre flylead

BS EN 60598-1; BS EN 60598-2-5; BS EN 55015; BS EN 61547; BS EN 62471; BS EN 62493; BS EN 61000-3-2; BS EN 61000-3-3



20W IP65 LED Frameless Floodlight



AVAILABLE FINISHES

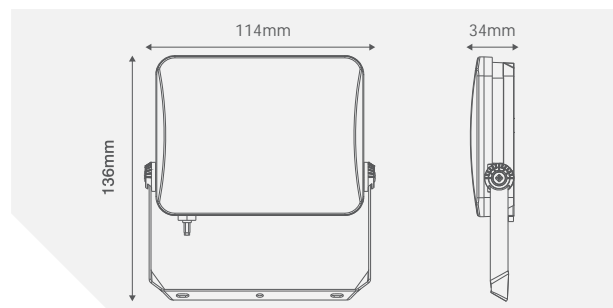


COLOUR TEMPERATURE



CODE	DESCRIPTION
OS20C-B	20W Frameless Floodlight - 4000K - Black
OS20W-B	20W Frameless Floodlight - 3000K - Black

PRODUCT INFO		
CCT (K)	3000	4000
Lumens (lm)	1800	
Efficacy (lm/W)	90	
Wattage (W)	20	
CRI	>80	
Beam Angle (°)	100	
LED Lifetime (Hrs)	20000	
Voltage (AC)	220-240	
Frequency (Hz)	50	
Operating Temp (°C)	+25	



Prewired with 1 metre flylead

PRODUCT APPROVALS

BS EN 60598-1; BS EN 60598-2-5; BS EN 55015; BS EN 61547; BS EN 62471; BS EN 62493; BS EN 61000-3-2; BS EN 61000-3-3



20W IP65 LED Frameless Floodlight With PIR

AVAILABLE FINISHES

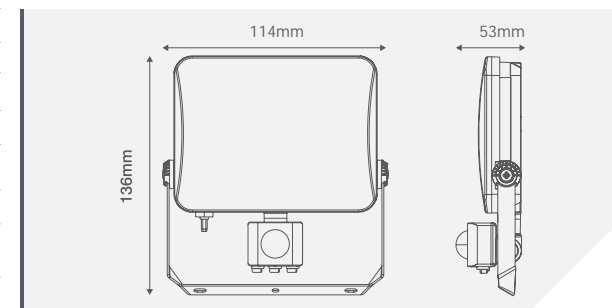


COLOUR TEMPERATURE



PRODUCT INFO		
CCT (K)	3000	4000
Lumens (lm)	1800	
Efficacy (lm/W)	90	
Wattage (W)	20	
CRI	>80	
Beam Angle (°)	100	
LED Lifetime (Hrs)	20000	
Voltage (AC)	220-240	
Frequency (Hz)	50	
Detection Angle (°)	120	
Detection Distance (M)	8	
Operating Temp (°C)	+25	
Daylight Sensitivity (Lux)	10 to 2000	
Time Delay Setting	10 Secs to 3 Mins	

CODE	DESCRIPTION
OS20C-P-B	20W Frameless Floodlight With PIR - 4000K - Black
OS20W-P-B	20W Frameless Floodlight With PIR - 3000K - Black



PRODUCT APPROVALS

Prewired with 1 metre flylead

BS EN 60598-1; BS EN 60598-2-5; BS EN 55015; BS EN 61547; BS EN 62471; BS EN 62493; BS EN 61000-3-2; BS EN 61000-3-3



30W IP65 LED Frameless Floodlight



AVAILABLE FINISHES

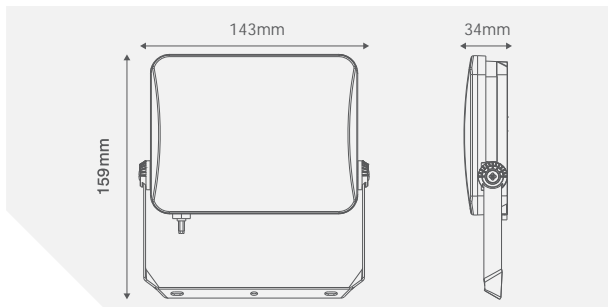


COLOUR TEMPERATURE



CODE	DESCRIPTION
OS30C-B	30W Frameless Floodlight - 4000K - Black
OS30W-B	30W Frameless Floodlight - 3000K - Black

PRODUCT INFO		
CCT (K)	3000	4000
Lumens (lm)	2700	
Efficacy (lm/W)	90	
Wattage (W)	30	
CRI	>80	
Beam Angle (°)	100	
LED Lifetime (Hrs)	20000	
Voltage (AC)	220-240	
Frequency (Hz)	50	
Operating Temp (°C)	+25	



Prewired with 1 metre flylead

PRODUCT APPROVALS

BS EN 60598-1; BS EN 60598-2-5; BS EN 55015; BS EN 61547; BS EN 62471; BS EN 62493; BS EN 61000-3-2; BS EN 61000-3-3



30W IP65 LED Frameless Floodlight With PIR

AVAILABLE FINISHES

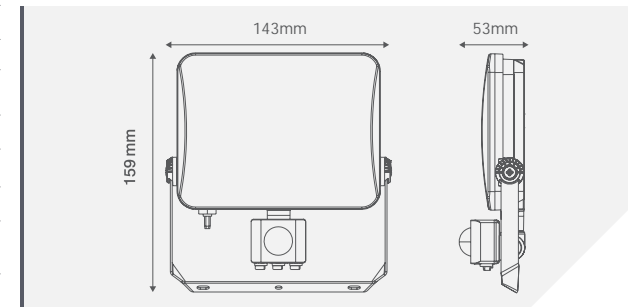


COLOUR TEMPERATURE



PRODUCT INFO		
CCT (K)	3000	4000
Lumens (lm)	2700	
Efficacy (lm/W)	90	
Wattage (W)	30	
CRI	>80	
Beam Angle (°)	100	
LED Lifetime (Hrs)	20000	
Voltage (AC)	220-240	
Frequency (Hz)	50	
Detection Angle (°)	120	
Detection Distance (M)	8	
Operating Temp (°C)	+25	
Daylight Sensitivity (Lux)	10 to 2000	
Time Delay Setting	10 Secs to 3 Mins	

CODE	DESCRIPTION
OS30C-P-B	30W Frameless Floodlight With PIR - 4000K - Black
OS30W-P-B	30W Frameless Floodlight With PIR - 3000K - Black



PRODUCT APPROVALS

Prewired with 1 metre flylead

BS EN 60598-1; BS EN 60598-2-5; BS EN 55015; BS EN 61547; BS EN 62471; BS EN 62493; BS EN 61000-3-2; BS EN 61000-3-3



50W IP65 LED Frameless Floodlight

WARRANTY
IP65 **3**
YEAR

AVAILABLE FINISHES

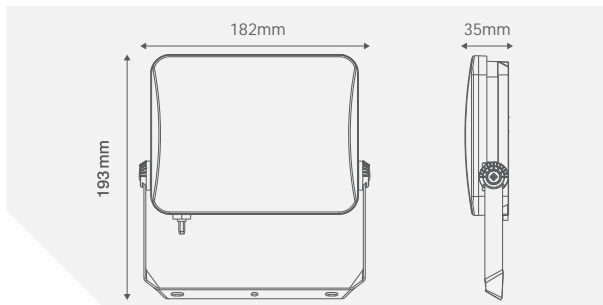


COLOUR TEMPERATURE



CODE	DESCRIPTION
OS50C-B	50W Frameless Floodlight - 4000K - Black
OS50W-B	50W Frameless Floodlight - 3000K - Black

PRODUCT INFO		
CCT (K)	3000	4000
Lumens (lm)	4500	
Efficacy (lm/W)	90	
Wattage (W)	50	
CRI	>80	
Beam Angle (°)	100	
LED Lifetime (Hrs)	20000	
Voltage (AC)	220-240	
Frequency (Hz)	50	
Operating Temp (°C)	+25	



Prewired with 1 metre flylead

PRODUCT APPROVALS

BS EN 60598-1; BS EN 60598-2-5; BS EN 55015; BS EN 61547; BS EN 62471; BS EN 62493; BS EN 61000-3-2; BS EN 61000-3-3



50W IP65 LED Frameless Floodlight With PIR

AVAILABLE FINISHES



WARRANTY
3
YEAR

PIR
IP65

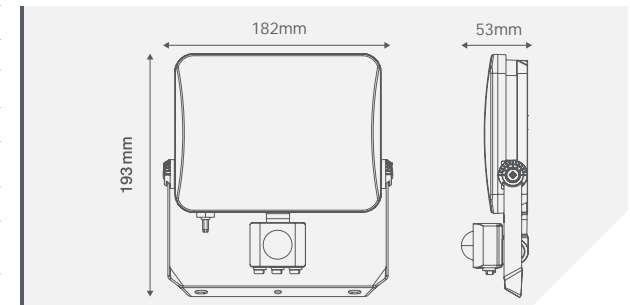


COLOUR TEMPERATURE



PRODUCT INFO		
CCT (K)	3000	4000
Lumens (lm)	4500	
Efficacy (lm/W)	90	
Wattage (W)	50	
CRI	>80	
Beam Angle (°)	100	
LED Lifetime (Hrs)	20000	
Voltage (AC)	220-240	
Frequency (Hz)	50	
Detection Angle (°)	120	
Detection Distance (M)	8	
Operating Temp (°C)	+25	
Daylight Sensitivity (Lux)	10 to 2000	
Time Delay Setting	10 Secs to 3 Mins	

CODE	DESCRIPTION
OS50C-P-B	50W Frameless Floodlight With PIR - 4000K - Black
OS50W-P-B	50W Frameless Floodlight With PIR - 3000K - Black



PRODUCT APPROVALS

Prewired with 1 metre flylead

BS EN 60598-1; BS EN 60598-2-5; BS EN 55015; BS EN 61547; BS EN 62471; BS EN 62493; BS EN 61000-3-2; BS EN 61000-3-3



FLOODLIGHTING

FLOODLIGHTING

SOLAR LUMINAIRES



Zonne



Ingress Protection



Colour Temperature



Lumen Output



12 Months Warranty

Zontor



Ingress Protection



Colour Temperature



40W Lumen Output



15W Lumen Output



12 Months Warranty

Ultra thin design, 2 in 1 installation.



Light can be removed from the cable and used as a torch.

120° 8 meter PIR detection distance.



Adjustable solar panel, 180° vertical, 360° horizontal.



Light can be adjusted 20° up and 10° down for solar charging.



Constant lighting and sensor modes.



Slim and modern product design.



Image shows the Zontor 15W version.



15W IP65 LED Solar Street Luminaire With PIR



AVAILABLE FINISHES



Press 'Power Button' to select Mode.
 Mode A: First 5 hours Lighting: When fully charged and PIR activated. The first 5 hours, when PIR activated, turns on at 100%, dimming down to 5% output after 20 seconds of no movement.
 Mode B: After 5 Hours Lighting or <30% Battery Capacity: Turns on at 100% and 20 seconds of no movement dims down to 5% output, turning off after 5 minutes of no additional movement).

COLOUR TEMPERATURE

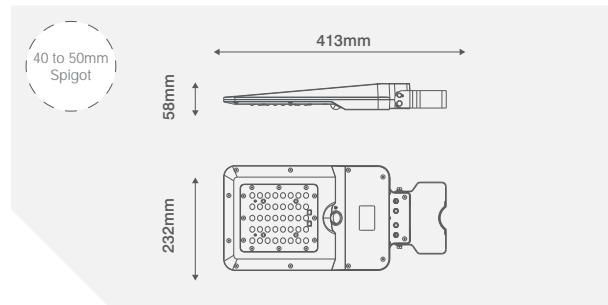


CODE	DESCRIPTION
OZT15C-S	15W Solar Street Luminaire - 4000K - Black

Wall and post mounting brackets, wall fixings and installation instructions.

BATTERY SPECIFICATION
Li-Ion 18650, 7.4V 5400mAh

PRODUCT INFO	
CCT (K)	4000
Lumens (lm)	1600
Efficacy (lm/W)	107
Wattage (W)	15
CRI	>80
Beam Angle (°)	140 x 70
LED Lifetime (Hrs)	35000
Detection Angle (°)	120
Detection Distance (M)	3 to 8
Operating Temp (°C)	-20 to +60
Charge Time (Hrs)	6



PRODUCT APPROVALS

BS EN 55015; BS EN 61000-3-2; BS EN 61000-3-3; BS EN 61547



40W IP65 LED Solar Street Luminaire With PIR



AVAILABLE FINISHES



Press 'Power Button' to manually select Mode**.
 Mode A: Constant Lighting Mode
 When fully charged and PIR activated the fitting will turn on, maintaining 60% output for 4 hours then switching to "Sensor Mode".
 Mode B: Sensor Mode
 When the PIR is activated the fitting provides 100% output, then dims to 30% output after 20 seconds of no movement.
 **The manual settings can be overridden by use of the remote control or visa versa.

COLOUR TEMPERATURE

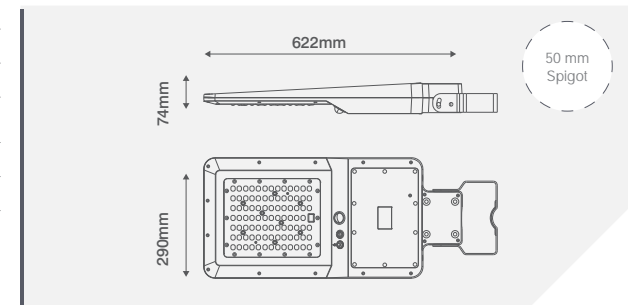


PRODUCT INFO	
CCT (K)	4000
Lumens (lm)	4750
Efficacy (lm/W)	120
Wattage (W)	40
CRI	>80
Beam Angle (°)	140 x 70
LED Lifetime (Hrs)	35000
Detection Angle (°)	120
Detection Distance (M)	8 to 12
Operating Temp (°C)	-20 to +60
Charge Time (Hrs)	8 to 10

CODE	DESCRIPTION
OZT40C-S	40W Solar Street Luminaire - 4000K - Black

Wall and post mounting brackets, wall fixings and installation instructions. Remote supplied. Can be set by manual selection or by remote control.

BATTERY SPECIFICATION
LiFePO4 32700, 9.6V 12000mAh



PRODUCT APPROVALS

BS EN 55015; BS EN 61000-3-2; BS EN 61000-3-3; BS EN 61547



8W IP65 LED Solar Security Luminaire With PIR

AVAILABLE FINISHES



COLOUR TEMPERATURE



CODE DESCRIPTION

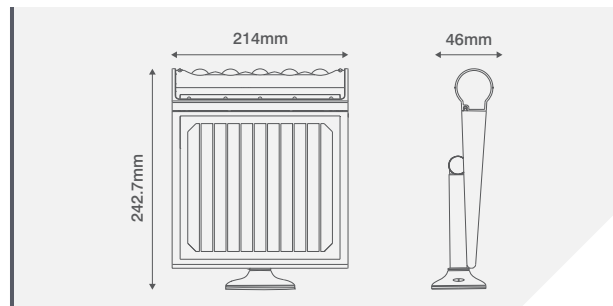
OZ8C-S 8W Solar Security Luminaire - 4000K - Black
With 3 metre connection cable

BATTERY SPECIFICATION

Li-Ion 18650, 3.7V 4000mAh

PRODUCT INFO

CCT (K)	4000
Lumens (lm)	930
Efficacy (lm/W)	118
Wattage (W)	8
CRI	>80
Beam Angle (°)	120
LED Lifetime (Hrs)	35000
Detection Angle (°)	120
Detection Distance (M)	8
Operating Temp (°C)	-20 to +60
Charge Time (Hrs)	5 to 6



PRODUCT APPROVALS

BS EN 55015; BS EN 61000-3-2; BS EN 61000-3-3; BS EN 61547



PATHFINDER FLOODLIGHTS

Fittings up to 50W are available in both black and white finishes and come in Warm White and Cool White options making it a versatile range.

The design incorporates a prismatic diffuser which produces a more even spread of light.

Our standard range can be used with remote sensors PIR's (Indoor & Outdoor) or Microwave sensors (Indoor Only) as well as with smart control systems. Available with PIR or Photocell sensors to automate control saving energy and improving security the Photocell range is ideal for lighting walkways, driveways, loading bays (100W-300W range) as well as highlighting architecture, atriums and soffits when used as an up-lighter.



SENS



Enables the sensitivity / distance to be set to help avoid accidental triggering from pets etc.

TIME



Set the 'ON' time when the PIR is activated (from 10 seconds to 10 minutes)

LUX



Set the desired light level (2 to 2000 Lux) for when the luminaire will turn 'ON'

SENSOR OVER-RIDE

The fittings with a PIR have three settings available on the rear of the sensor housing. The PIR sensor may be over-riden if the live supplying the fitting / PIR has an in-line switch installed. Turning the power to the luminaire off

and on twice in 3 seconds will enable the luminaire to remain on over-riding the PIR. To cancel the over-ride, turn the luminaire 'OFF' wait longer than 15 seconds and then turn back 'ON', the PIR will be enabled.

10W IP65 LED Floodlight



AVAILABLE FINISHES



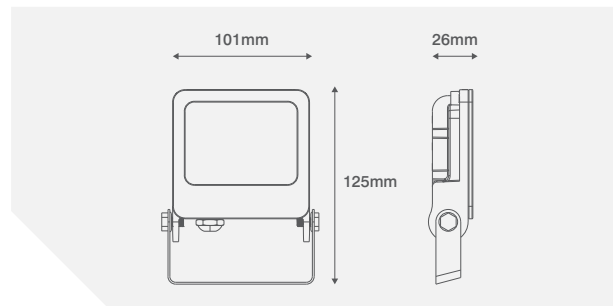
COLOUR TEMPERATURE



CODE	DESCRIPTION
OV10110HWW	10W Floodlight - 3000K - White
OV10110BKWW	10W Floodlight - 3000K - Black
OV10110WHCW	10W Floodlight - 4000K - White
OV10110BKCW	10W Floodlight - 4000K - Black

PRODUCT INFO

Circuit Wattage (W)	10	
CCT (K)	3000	4000
Lumens (lm)	700	800
Efficacy (lm/W)	70	80
CRI	>80	
Beam Angle (°)	110	
LED Lifetime (Hrs)	30000	
Voltage (V~)	220-240	
Frequency (Hz)	50/60	
Operating Temp (°C)	-20 to +45	



Prewired with 1 metre flylead

PRODUCT APPROVALS

BS EN 60598-1 BS EN 60598-2-5 BS EN 55015 BS EN 61547 BS EN 62471 BS EN 62493 BS EN 61000-3-2 BS EN 61000-3-3



20W IP65 LED Floodlight

AVAILABLE FINISHES



COLOUR TEMPERATURE

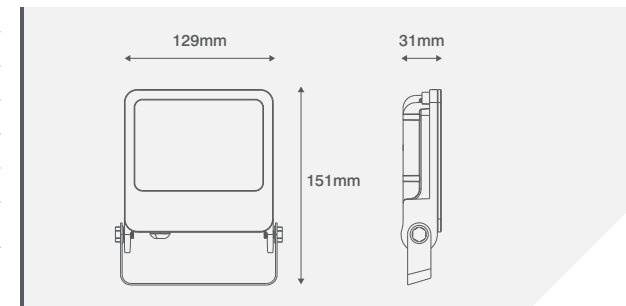


PRODUCT INFO

Circuit Wattage (W)	20	
CCT (K)	3000	4000
Lumens (lm)	1500	1600
Efficacy (lm/W)	75	80
CRI	>80	
Beam Angle (°)	110	
LED Lifetime (Hrs)	30000	
Voltage (V~)	220-240	
Frequency (Hz)	50/60	
Operating Temp (°C)	-20 to +45	

PRODUCT INFO

CODE	DESCRIPTION
OV10120HWW	20W Floodlight - 3000K - White
OV10120BKWW	20W Floodlight - 3000K - Black
OV10120WHCW	20W Floodlight - 4000K - White
OV10120BKCW	20W Floodlight - 4000K - Black



PRODUCT APPROVALS

Prewired with 1 metre flylead

BS EN 60598-1 BS EN 60598-2-5 BS EN 55015 BS EN 61547 BS EN 62471 BS EN 62493 BS EN 61000-3-2 BS EN 61000-3-3



30W IP65 LED Floodlight



AVAILABLE FINISHES

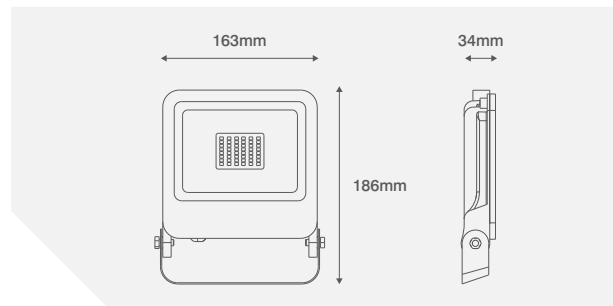


COLOUR TEMPERATURE



CODE	DESCRIPTION
OV10130WHWW	30W Floodlight - 3000K - White
OV10130BKWW	30W Floodlight - 3000K - Black
OV10130WHCW	30W Floodlight - 4000K - White
OV10130BKCW	30W Floodlight - 4000K - Black

PRODUCT INFO	
Circuit Wattage (W)	30
CCT (K)	3000 4000
Lumens (lm)	2400
Efficacy (lm/W)	80
CRI	>80
Beam Angle (°)	110
LED Lifetime (Hrs)	30000
Voltage (V~)	220-240
Frequency (Hz)	50/60
Operating Temp (°C)	-20 to +45



Prewired with 1 metre flylead

PRODUCT APPROVALS

BS EN 60598-1 BS EN 60598-2-5 BS EN 55015 BS EN 61547 BS EN 62471 BS EN 62493 BS EN 61000-3-2 BS EN 61000-3-3



50W IP65 LED Floodlight

AVAILABLE FINISHES

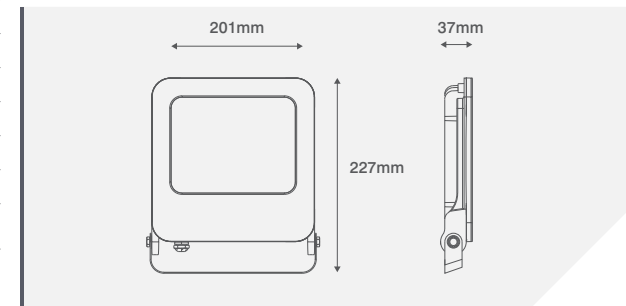


COLOUR TEMPERATURE



PRODUCT INFO	
Circuit Wattage (W)	50
CCT (K)	3000 4000
Lumens (lm)	4000
Efficacy (lm/W)	80
CRI	>80
Beam Angle (°)	110
LED Lifetime (Hrs)	30000
Voltage (V~)	220-240
Frequency (Hz)	50/60
Operating Temp (°C)	-20 to +45

CODE	DESCRIPTION
OV10150WHWW	50W Floodlight - 3000K - White
OV10150BKWW	50W Floodlight - 3000K - Black
OV10150WHCW	50W Floodlight - 4000K - White
OV10150BKCW	50W Floodlight - 4000K - Black



PRODUCT APPROVALS

Prewired with 1 metre flylead

BS EN 60598-1 BS EN 60598-2-5 BS EN 55015 BS EN 61547 BS EN 62471 BS EN 62493 BS EN 61000-3-2 BS EN 61000-3-3



10W IP65 LED Floodlight With PIR



AVAILABLE FINISHES



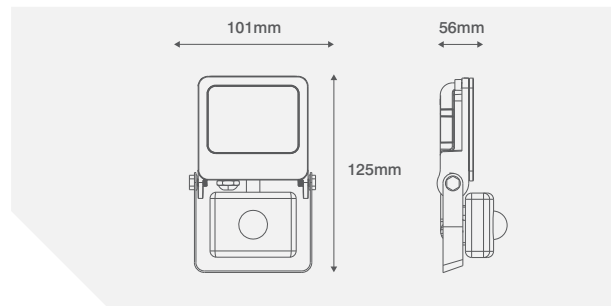
COLOUR TEMPERATURE



CODE	DESCRIPTION
OV10110WHWWPIR	10W Floodlight With PIR - 3000K - White
OV10110BKWWPIR	10W Floodlight With PIR - 3000K - Black
OV10110WHCWPIR	10W Floodlight With PIR - 4000K - White
OV10110BKCWPIR	10W Floodlight With PIR - 4000K - Black

PRODUCT INFO	
Circuit Wattage (W)	10
CCT (K)	3000 4000
Lumens (lm)	700 800
Efficacy (lm/W)	70 80
CRI	>80
Beam Angle (°)	110
LED Lifetime (Hrs)	30000
Voltage (V~)	220-240
Frequency (Hz)	50/60
Operating Temp (°C)	-10 to +45
Detection Area	180° Up to 10m
Time Delay	10 Secs to 10 Mins
Daylight Sensitivity (Lux)	2 to 2000

For additional PIR information please see page 401



Prewired with 1 metre flylead

PRODUCT APPROVALS

BS EN 60598-1 BS EN 60598-2-5 BS EN 55015 BS EN 61547 BS EN 62471 BS EN 62493 BS EN 61000-3-2 BS EN 61000-3-3



20W IP65 LED Floodlight With PIR

AVAILABLE FINISHES



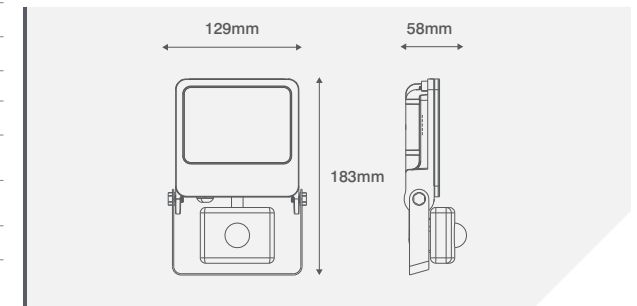
COLOUR TEMPERATURE



PRODUCT INFO	
Circuit Wattage (W)	20
CCT (K)	3000 4000
Lumens (lm)	1500 1600
Efficacy (lm/W)	75 80
CRI	>80
Beam Angle (°)	110
LED Lifetime (Hrs)	30000
Voltage (V~)	220-240
Frequency (Hz)	50/60
Operating Temp (°C)	-10 to +45
Detection Area	180° Up to 10m
Time Delay	10 Secs to 10 Mins
Daylight Sensitivity (Lux)	2 to 2000

CODE	DESCRIPTION
OV10120WHWWPIR	20W Floodlight With PIR - 3000K - White
OV10120BKWWPIR	20W Floodlight With PIR - 3000K - Black
OV10120WHCWPIR	20W Floodlight With PIR - 4000K - White
OV10120BKCWPIR	20W Floodlight With PIR - 4000K - Black

For additional PIR information please see page 401



PRODUCT APPROVALS

Prewired with 1 metre flylead

BS EN 60598-1 BS EN 60598-2-5 BS EN 55015 BS EN 61547 BS EN 62471 BS EN 62493 BS EN 61000-3-2 BS EN 61000-3-3



30W IP65 LED Floodlight With PIR



AVAILABLE FINISHES



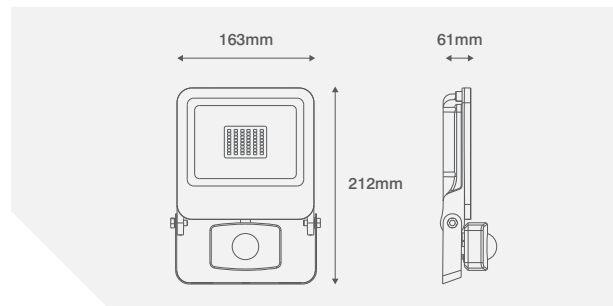
COLOUR TEMPERATURE



CODE	DESCRIPTION
OV10130WHWWPIR	30W Floodlight With PIR - 3000K - White
OV10130BKWWPIR	30W Floodlight With PIR - 3000K - Black
OV10130WHCWPIR	30W Floodlight With PIR - 4000K - White
OV10130BKCWPIR	30W Floodlight With PIR - 4000K - Black

PRODUCT INFO	
Circuit Wattage (W)	30
CCT (K)	3000 4000
Lumens (lm)	2400
Efficacy (lm/W)	80
CRI	>80
Beam Angle (°)	110
LED Lifetime (Hrs)	30000
Voltage (V~)	220-240
Frequency (Hz)	50/60
Operating Temp (°C)	-10 to +45
Detection Area	180° Up to 10m
Time Delay	10 Secs to 10 Mins
Daylight Sensitivity (Lux)	2 to 2000

For additional PIR information please see page 401



Prewired with 1 metre flylead

PRODUCT APPROVALS

BS EN 60598-1 BS EN 60598-2-5 BS EN 55015 BS EN 61547 BS EN 62471 BS EN 62493 BS EN 61000-3-2 BS EN 61000-3-3



50W IP65 LED Floodlight With PIR

AVAILABLE FINISHES



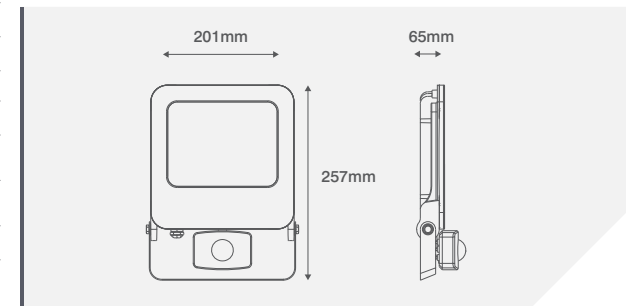
COLOUR TEMPERATURE



PRODUCT INFO	
Circuit Wattage (W)	50
CCT (K)	3000 4000
Lumens (lm)	4000
Efficacy (lm/W)	80
CRI	>80
Beam Angle (°)	110
LED Lifetime (Hrs)	30000
Voltage (V~)	220-240
Frequency (Hz)	50/60
Operating Temp (°C)	-10 to +45
Detection Area	180° Up to 10m
Time Delay	10 Secs to 10 Mins
Daylight Sensitivity (Lux)	2 to 2000

CODE	DESCRIPTION
OV10150WHWWPIR	50W Floodlight With PIR - 3000K - White
OV10150BKWWPIR	50W Floodlight With PIR - 3000K - Black
OV10150WHCWPIR	50W Floodlight With PIR - 4000K - White
OV10150BKCWPIR	50W Floodlight With PIR - 4000K - Black

For additional PIR information please see page 401



Prewired with 1 metre flylead

PRODUCT APPROVALS

BS EN 60598-1 BS EN 60598-2-5 BS EN 55015 BS EN 61547 BS EN 62471 BS EN 62493 BS EN 61000-3-2 BS EN 61000-3-3



100W IP65 LED Floodlight

WARRANTY
IP65 **3**
YEAR

AVAILABLE FINISHES

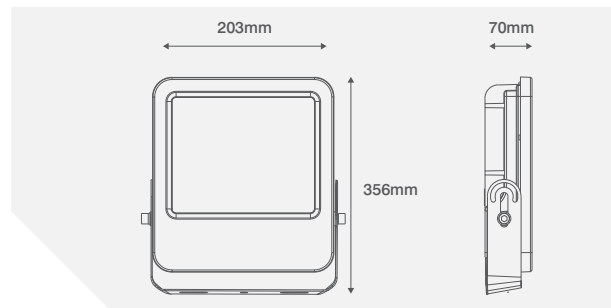


COLOUR TEMPERATURE



CODE	DESCRIPTION
OV101100BKCW	100W Floodlight - 4000K - Black

PRODUCT INFO	
Circuit Wattage (W)	100
CCT (K)	4000
Lumens (lm)	9000
Efficacy (lm/W)	90
CRI	>80
Beam Angle (°)	110
LED Lifetime (Hrs)	30000
Voltage (V~)	220-240
Frequency (Hz)	50/60
Operating Temp (°C)	-20 to +45



Prewired with 1 metre flylead

PRODUCT APPROVALS

BS EN 60598-1 BS EN 60598-2-5 BS EN 55015 BS EN 61547 BS EN 62471 BS EN 62493 BS EN 61000-3-2 BS EN 61000-3-3



150W IP65 LED Floodlight

AVAILABLE FINISHES



WARRANTY
3 **IP65**
YEAR

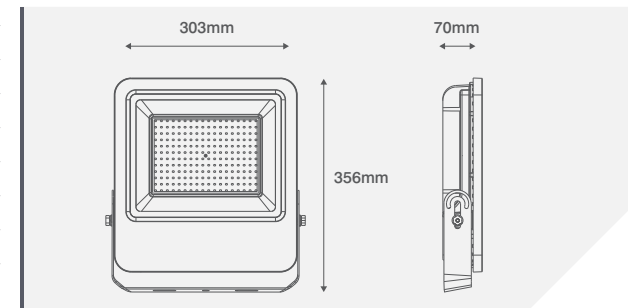


COLOUR TEMPERATURE



PRODUCT INFO	
Circuit Wattage (W)	150
CCT (K)	4000
Lumens (lm)	13500
Efficacy (lm/W)	90
CRI	>80
Beam Angle (°)	110
LED Lifetime (Hrs)	30000
Voltage (V~)	220-240
Frequency (Hz)	50/60
Operating Temp (°C)	-20 to +45

CODE	DESCRIPTION
OV101150BKCW	150W Floodlight - 4000K - Black



PRODUCT APPROVALS

Prewired with 1 metre flylead

BS EN 60598-1 BS EN 60598-2-5 BS EN 55015 BS EN 61547 BS EN 62471 BS EN 62493 BS EN 61000-3-2 BS EN 61000-3-3



200W IP65 LED Floodlight



AVAILABLE FINISHES

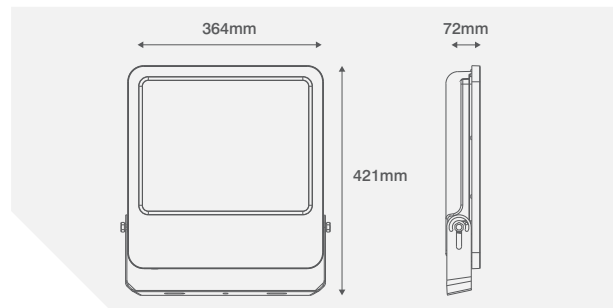


COLOUR TEMPERATURE



CODE	DESCRIPTION
OV101200BKCW	200W Floodlight - 4000K - Black

PRODUCT INFO	
Circuit Wattage (W)	200
CCT (K)	4000
Lumens (lm)	20000
Efficacy (lm/W)	100
CRI	>80
Beam Angle (°)	110
LED Lifetime (Hrs)	30000
Voltage (V~)	220-240
Frequency (Hz)	50/60
Operating Temp (°C)	-20 to +45



Prewired with 1 metre flylead

PRODUCT APPROVALS

BS EN 60598-1 BS EN 60598-2-5 BS EN 55015 BS EN 61547 BS EN 62471 BS EN 62493 BS EN 61000-3-2 BS EN 61000-3-3



300W IP65 LED Floodlight

AVAILABLE FINISHES

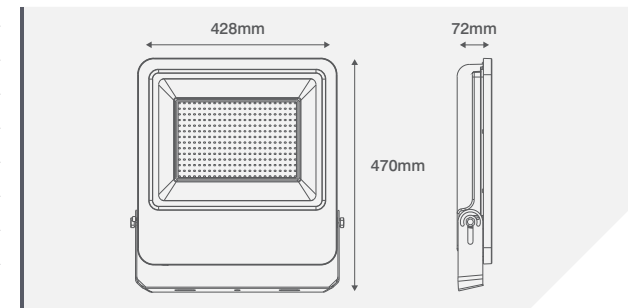


COLOUR TEMPERATURE



PRODUCT INFO	
Circuit Wattage (W)	300
CCT (K)	4000
Lumens (lm)	24000
Efficacy (lm/W)	80
CRI	>80
Beam Angle (°)	110
LED Lifetime (Hrs)	30000
Voltage (V~)	220-240
Frequency (Hz)	50/60
Operating Temp (°C)	-20 to +45

CODE	DESCRIPTION
OV101300BKCW	300W Floodlight - 4000K - Black



Prewired with 1 metre flylead

PRODUCT APPROVALS

BS EN 60598-1 BS EN 60598-2-5 BS EN 55015 BS EN 61547 BS EN 62471 BS EN 62493 BS EN 61000-3-2 BS EN 61000-3-3



100W IP65 LED Floodlight With Photocell



AVAILABLE FINISHES

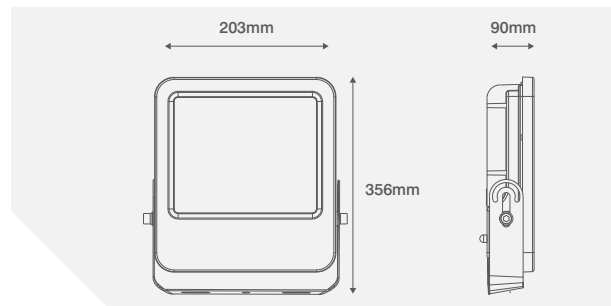


COLOUR TEMPERATURE



CODE	DESCRIPTION
OV101100BKCWPC	100W Floodlight With Photocell - 4000K - Black

PRODUCT INFO	
Circuit Wattage (W)	100
CCT (K)	4000
Lumens (lm)	9000
Efficacy (lm/W)	90
CRI	>80
Beam Angle (°)	110
LED Lifetime (Hrs)	30000
Voltage (V~)	220-240
Frequency (Hz)	50/60
Operating Temp (°C)	-20 to +45
Ambient Light 'ON'	10 to 20
Ambient Light 'OFF'	30 to 60



Prewired with 1 metre flylead

PRODUCT APPROVALS

BS EN 60598-1 BS EN 60598-2-5 BS EN 55015 BS EN 61547 BS EN 62471 BS EN 62493 BS EN 61000-3-2 BS EN 61000-3-3



150W IP65 LED Floodlight With Photocell



AVAILABLE FINISHES

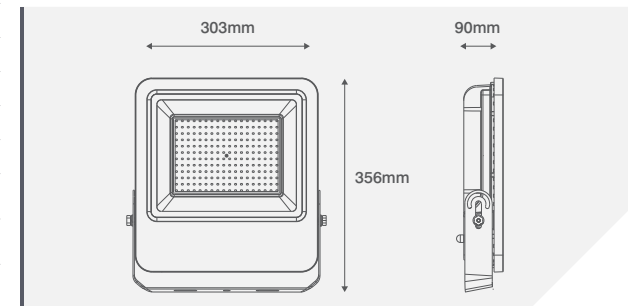


COLOUR TEMPERATURE



PRODUCT INFO	
Circuit Wattage (W)	150
CCT (K)	4000
Lumens (lm)	13500
Efficacy (lm/W)	90
CRI	>80
Beam Angle (°)	110
LED Lifetime (Hrs)	30000
Voltage (V~)	220-240
Frequency (Hz)	50/60
Operating Temp (°C)	-20 to +45
Ambient Light 'ON'	10 to 20
Ambient Light 'OFF'	30 to 60

CODE	DESCRIPTION
OV101150BKCWPC	150W Floodlight With Photocell - 4000K - Black



Prewired with 1 metre flylead

PRODUCT APPROVALS

BS EN 60598-1 BS EN 60598-2-5 BS EN 55015 BS EN 61547 BS EN 62471 BS EN 62493 BS EN 61000-3-2 BS EN 61000-3-3



FLOODLIGHTING

FLOODLIGHTING

200W IP65 LED Floodlight With Photocell



AVAILABLE FINISHES

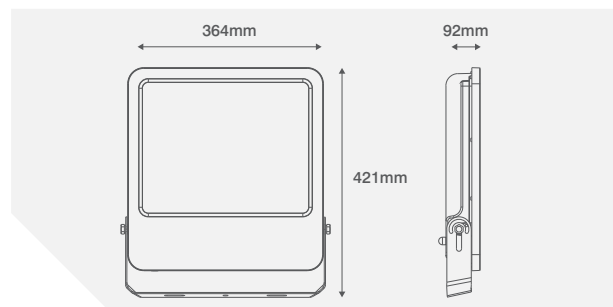


COLOUR TEMPERATURE



CODE	DESCRIPTION
OV101200BKCWPC	200W Floodlight With Photocell - 4000K - Black

PRODUCT INFO	
Circuit Wattage (W)	200
CCT (K)	4000
Lumens (lm)	20000
Efficacy (lm/W)	100
CRI	>80
Beam Angle (°)	110
LED Lifetime (Hrs)	30000
Voltage (V~)	220-240
Frequency (Hz)	50/60
Operating Temp (°C)	-20 to +45
Ambient Light 'ON'	10 to 20
Ambient Light 'OFF'	30 to 60



Prewired with 1 metre flylead

PRODUCT APPROVALS

BS EN 60598-1 BS EN 60598-2-5 BS EN 55015 BS EN 61547 BS EN 62471 BS EN 62493 BS EN 61000-3-2 BS EN 61000-3-3



300W IP65 LED Floodlight With Photocell

AVAILABLE FINISHES

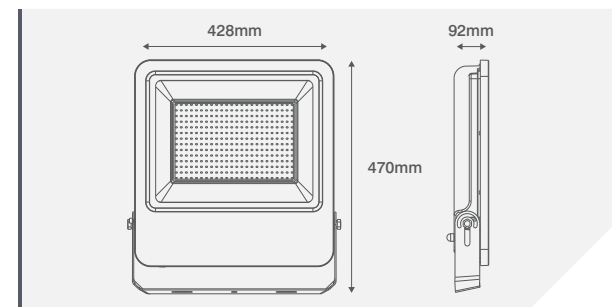


COLOUR TEMPERATURE



PRODUCT INFO	
Circuit Wattage (W)	300
CCT (K)	4000
Lumens (lm)	24000
Efficacy (lm/W)	80
CRI	>80
Beam Angle (°)	110
LED Lifetime (Hrs)	30000
Voltage (V~)	220-240
Frequency (Hz)	50/60
Operating Temp (°C)	-20 to +45
Ambient Light 'ON'	10 to 20
Ambient Light 'OFF'	30 to 60

CODE	DESCRIPTION
OV101300BKCWPC	300W Floodlight With Photocell - 4000K - Black



PRODUCT APPROVALS

Prewired with 1 metre flylead

BS EN 60598-1 BS EN 60598-2-5 BS EN 55015 BS EN 61547 BS EN 62471 BS EN 62493 BS EN 61000-3-2 BS EN 61000-3-3



GATOR



LED Street Lighting

Ideal for lighting larger outdoor areas. Our Gator LED Street Lights are designed to be easy to install via toolless entry.

Photocell Accessory

The shorting cap can be replaced by a photocell sensor



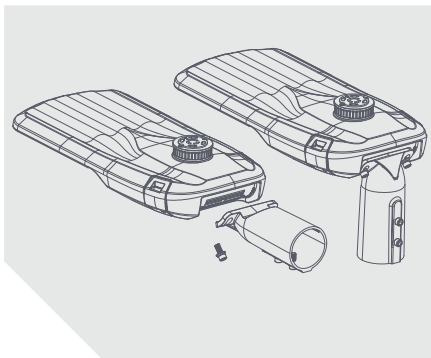
Toolless Opening



Toolless gear tray removal for ease of maintenance

Reversible Mount

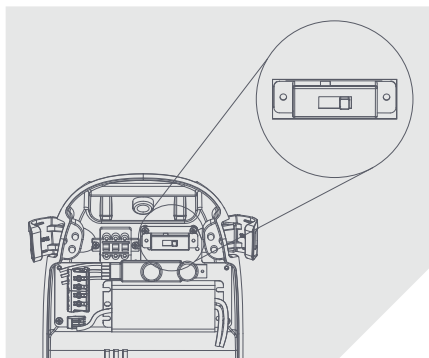
Rotate and pivot the mount bracket to allow for vertical or horizontal fitment with no additional joints required. The Spigot size is 76mm and a Wall Bracket for these products is available.



CCT Switch



All models include a CCT switch allowing the product to change colour temperature between Warm White (3000K) Cool White (4000K) and Daylight (6000K)

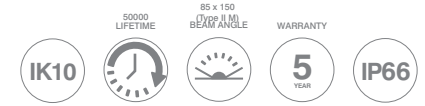


OVIA

GATOR | STREET LIGHTING

Small IP66 LED Street Luminaire Head - CCT

AVAILABLE FINISHES



COLOUR TEMPERATURE



PRODUCT INFO

CCT (K)	3000	4000	6000
20W Lumens (lm)	2800	3100	2800
40W Lumens (lm)	5600	6200	5600
Efficacy (lm/W)	140	155	140
Wattage (W)	20 & 40 Versions Available		
CRI	>70		
Beam Angle (°)	85 x 150 (Type II M)		
LED Lifetime (Hrs)	50000		
Voltage (V~)	100-277		
Frequency (Hz)	50/60		
Dimmable	No		
Operating Temp (°C)	-20 to +50		

CODE

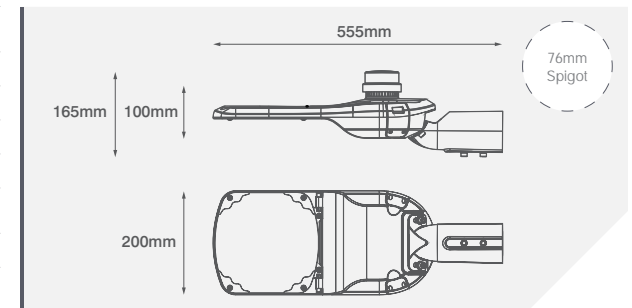
DESCRIPTION

OV11320GY	20W Street Luminaire Head - Grey
OV11340GY	40W Street Luminaire Head - Grey

COMPATIBLE PRODUCTS

See page 422

OV113PC	3 Pin IP65 Photocell
OV113WB	1175mm Wall Bracket - Grey



Nema 3 Pin Socket Supplied For Sensor Selection With Shorting Cap Installed. Surge Protection Device Fitted.

PRODUCT APPROVALS
BS EN 60598-1 BS EN 60598-2-1 BS EN 62471 BS EN 55015 BS EN 61547 BS EN 61000-3-2 BS EN 61000-3-3



Medium IP66 LED Street Luminaire Head - CCT

WARRANTY 5 YEAR

85 x 150 (Type II M) BEAM ANGLE

50000 LIFETIME

IP66

IK10

AVAILABLE FINISHES



COLOUR TEMPERATURE

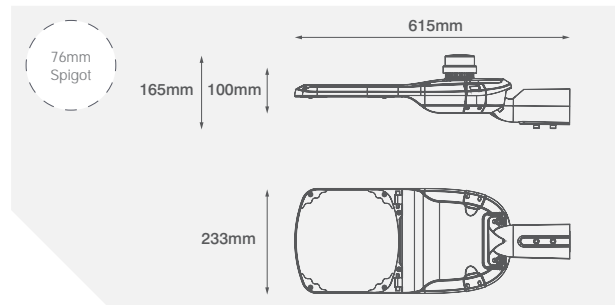


CODE	DESCRIPTION
OV11365GY	65W Street Luminaire Head - Grey
OV113100GY	100W Street Luminaire Head - Grey

COMPATIBLE PRODUCTS See page 422

OV113PC	3 Pin IP65 Photocell
OV113WB	1175mm Wall Bracket - Grey

PRODUCT INFO			
CCT (K)	3000	4000	6000
65W Lumens (lm)	9100	10050	9100
100W Lumens (lm)	14000	15500	14000
Efficacy (lm/W)	140	155	140
Wattage (W)	65 & 100 Versions Available		
CRI	> 70		
Beam Angle (°)	85 x 150 (Type II M)		
LED Lifetime (Hrs)	50000		
Voltage (V~)	100-277		
Frequency (Hz)	50/60		
Dimmable	No		
Operating Temp (°C)	-20 to +50		



Nema 3 Pin Socket Supplied For Sensor Selection With Shorting Cap Installed. Surge Protection Device Fitted.

PRODUCT APPROVALS

BS EN 60598-1 BS EN 60598-2-1 BS EN 62471 BS EN 55015 BS EN 61547 BS EN 61000-3-2 BS EN 61000-3-3



Large IP66 LED Street Luminaire Head - CCT

AVAILABLE FINISHES



50000 LIFETIME

85 x 150 (Type II M) BEAM ANGLE

WARRANTY 5 YEAR

IP66

IK10



COLOUR TEMPERATURE

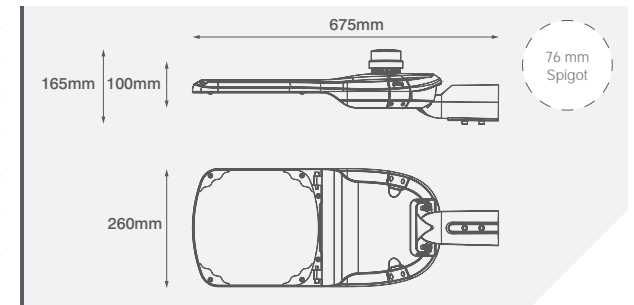


PRODUCT INFO			
CCT (K)	3000	4000	6000
Lumens (lm)	18800	20500	18800
Efficacy (lm/W)	140	155	140
Wattage (W)	135		
CRI	> 70		
Beam Angle (°)	85 x 150 (Type II M)		
LED Lifetime (Hrs)	50000		
Voltage (V~)	100-277		
Frequency (Hz)	50/60		
Dimmable	No		
Operating Temp (°C)	-20 to +50		

CODE	DESCRIPTION
OV113135GY	135W Street Luminaire Head - Grey

COMPATIBLE PRODUCTS See page 422

OV113PC	3 Pin IP65 Photocell
OV113WB	1175mm Wall Bracket - Grey



Nema 3 Pin Socket Supplied For Sensor Selection With Shorting Cap Installed. Surge Protection Device Fitted.

PRODUCT APPROVALS

BS EN 60598-1 BS EN 60598-2-1 BS EN 62471 BS EN 55015 BS EN 61547 BS EN 61000-3-2 BS EN 61000-3-3



Street Light Accessories

FLOODLIGHTING



AVAILABLE FINISHES



CODE	DESCRIPTION	PRODUCT INFO	
OV113PC	Twist-Lock Photocell - Black	Voltage (AC)	120-277
		Frequency (Hz)	50/60
		Operating Temp (°C)	-40 to +70

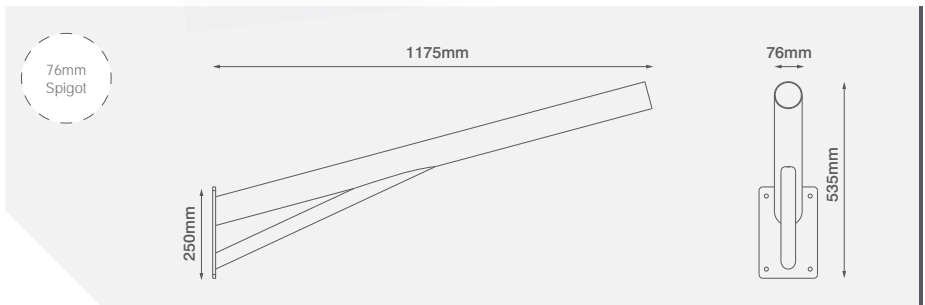
16 Lux On & Off
81.8mm Diameter x 55mm (D)



AVAILABLE FINISHES



CODE	DESCRIPTION
OV113WB	Ø76mm Wall Arm Bracket - Grey



PRODUCT APPROVALS

BS EN 60598-1 BS EN 60598-2-1 BS EN 55015 BS EN 61547 BS EN 61000-3-2 BS EN 61000-3-3





EMERGENCY LIGHTING

EMERGENCY LIGHTING

Our complete range of Ovia® Emergency products and batteries are supplied with a 4 year warranty. All self contained luminaires should use batteries of a type having declared life expectancy of at least 4 years when operated in the luminaire in accordance with Annex A.3 of BS EN 60598-2-22: 2014.

This section of our catalogue hosts a selection of Emergency Lighting products, such as; Bulkheads, Exit Boxes, Surface/Suspended Exit Boxes, Downlights, Twin Spots and Emergency Accessories.

All of our Emergency products are 'Self Contained.' A Self Contained Emergency Sign or Luminaire contains all components such as the battery; lamp and control gear contained within the same housing or within 1 metre of the housing.



INCEPTOR® PRODUCTS TO LOOK OUT FOR IN THIS SECTION...

Contents

Bulkhead	426
Exit Boxes	431
Exit Boxes	440
Twin Spots	441
Downlights	445
Accessories	452



HULKE

4 YEAR
BATTERY
WARRANTY

Look out for this icon!



Switch  Inceptor

INCEPTOR® HULKE



Emergency LED Maintained Hinged Bulkhead



Replacement Battery

Everything you need to complete your installation.



Emergency Bulkhead Legends



White Finish



Daylight Colour Temperature



30,000 Hour Lifetime



110° Beam Angle (°)



Warranty



Ingress Protection

OVIA®

INCEPTOR® HULKE | BULKHEAD

3W Emergency LED Maintained Hinged Bulkhead - IP65

AVAILABLE FINISHES



COLOUR TEMPERATURE



PRODUCT INFO

Circuit Wattage (W)	3
CCT (K)	5500
Lumens (lm) (Mains)	151
Lumens (lm) (Emergency)	107
Beam Angle (°)	110
LED Lifetime (Hrs)	30000
Voltage (AC)	220-240
Frequency (Hz)	50/60
Operating Temp (°C)	0 to +40
Viewing Distance (M)	20

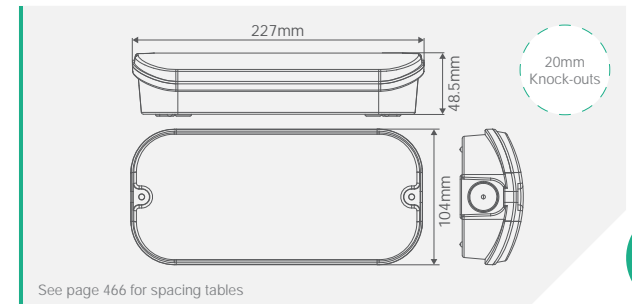
CODE

DESCRIPTION

OVEM2311 3W IP65 Hinged Bulkhead With Legend

COMPATIBLE PRODUCTS

OVEMSP003	Emergency Bulkhead Legends	See page 458
OVEMB3609NCS	3.6V 900mAh Ni-Cd Battery - Serial	See page 452



See page 466 for spacing tables

PRODUCT APPROVALS

BS EN 60598-2-22; BS EN 55015; BS EN 61000-3-2; BS EN 61000-3-3; BS EN 61547

Adhesive Legend Supplied



3W Emergency LED Maintained Bulkhead - IP65



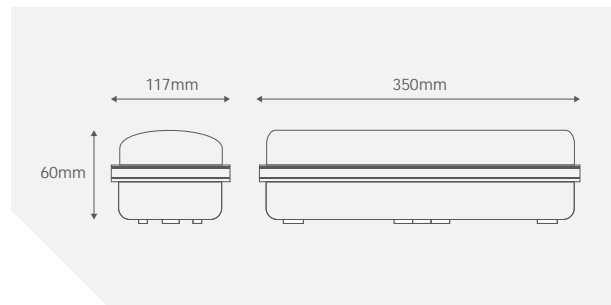
AVAILABLE FINISHES



COLOUR TEMPERATURE



CODE	DESCRIPTION	PRODUCT INFO
OEN3	3W Maintained Bulkhead	Circuit Wattage (W) 3
OEN3-ST	3W Maintained Self-Test Bulkhead	CCT (K) 5500
REPLACEMENT BATTERY		
OEB3215L	3.2V 1500mAh Lithium (LiFePO4) Battery	Lumens (lm) (Mains) 120
COMPATIBLE PRODUCTS		
OVEMSP004	Emergency Bulkhead Flush Mounting Kit	Lumens (lm) (Emergency) 110
OVEMSP003	Emergency Bulkhead Legends	Beam Angle (°) 120
		LED Lifetime (Hrs) 30000
		Voltage (AC) 220-240
		Frequency (Hz) 50/60
		Operating Temp (°C) 0 to +40



See page 467 for spacing tables

PRODUCT APPROVALS

BS EN 60598-2-22; BS EN 62034; BS EN 55015; BS EN 61000-3-2; BS EN 61000-3-3; BS EN 61547



4W Emergency LED Maintained Flush Bulkhead

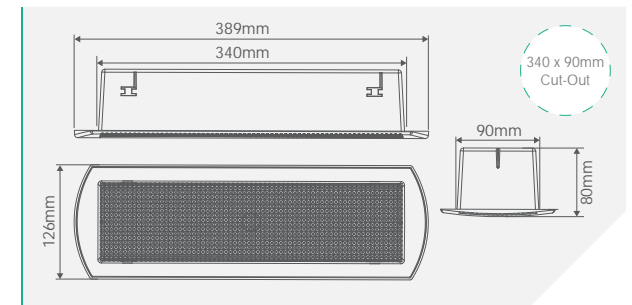
AVAILABLE FINISHES



COLOUR TEMPERATURE



PRODUCT INFO	CODE	DESCRIPTION
Circuit Wattage (W) 4	OEO4	4W Maintained Flush Bulkhead
CCT (K) 5500	REPLACEMENT BATTERY	
Lumens (lm) (Mains) 187	OEB3215L	3.2V 1500mAh Lithium (LiFePO4) Battery
Lumens (lm) (Emergency) 140		See page 452
Beam Angle (°) 100		
LED Lifetime (Hrs) 30000		
Voltage (AC) 220-240		
Frequency (Hz) 50/60		
Operating Temp (°C) 0 to +40		



See page 467 for spacing tables

PRODUCT APPROVALS

BS EN 60598-2-22; BS EN 55015; BS EN 61000-3-2; BS EN 61000-3-3; BS EN 61547



4W Emergency LED Maintained Box Exit Sign

AVAILABLE FINISHES



COLOUR TEMPERATURE



PRODUCT INFO

Circuit Wattage (W)	4
CCT (K)	5500
Lumens (lm) (Mains)	45
Lumens (lm) (Emergency)	40
Beam Angle (°)	100
LED Lifetime (Hrs)	30000
Voltage (AC)	220-240
Frequency (Hz)	50/60
Operating Temp (°C)	0 to +40
Viewing Distance (M)	34

For replacement legends see page 455

CODE

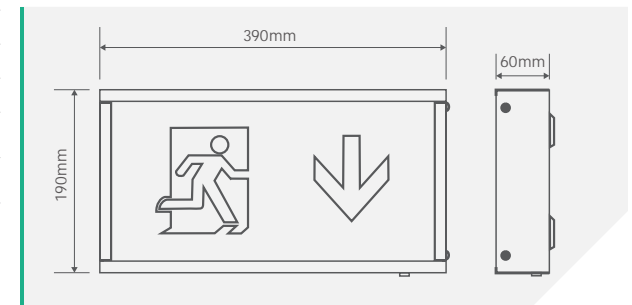
DESCRIPTION

OVEM5311WHD	4W Exit Sign - White - Down
OVEM5311WHL	4W Exit Sign - White - Left
OVEM5311WHR	4W Exit Sign - White - Right
OVEM5311WHU	4W Exit Sign - White - Up

REPLACEMENT BATTERY

OVEMB3615NCP 3.6V 1500mAh Ni-Cd Battery - Parallel

See page 452



PRODUCT APPROVALS

BS EN 60598-2-22; BS EN 55015; BS EN 61000-3-2; BS EN 61000-3-3; BS EN 61547



SELF TEST EMERGENCY LIGHTING

Eliminate the need for manual testing with our range of Self-Test Emergency Lighting!

SELF-TEST EMERGENCY LIGHTING EXPLAINED

Self-Test emergency lighting checks itself automatically to ensure that the battery and lamp in each emergency light are fully operational. If a problem is detected, the system will display a visual warning. The visual warning consists of an LED indicator fitted or adjacent to each luminaire and shall be indicated as follows:

SHOWING LIGHT	LED STATUS	FITTING STATUS
Green LED	Solid	Mains on, battery charging, no faults
Red LED	Single Flash	Battery Fault
Red LED	Double Flash	Lamp Fault
Red LED	Triple Flash	Duration Test Fail

This technology is in compliance with BS EN 62034 and will test itself monthly (functional) and annually (full three-hour duration).

The self-test technology eliminates the need for manual testing, with the responsible person only required to check and record the status of the LED indicator. By not having to perform time consuming manual routine testing, this provides the building owner with a more cost effective solution and is also less disruptive to the building and its occupants.

The intelligent warning technology with indicator results in faults being identified more quickly so that the problem can be dealt with accordingly. Not only does this make it a simple option for solving issues but the initial swap/installation to this type of emergency lighting is easy.

Self-test emergency lighting is one of the most effective ways to meet fire safety building regulations and stay in control of your emergency lighting.

4W Emergency LED Maintained Box Exit Sign



AVAILABLE FINISHES



COLOUR TEMPERATURE



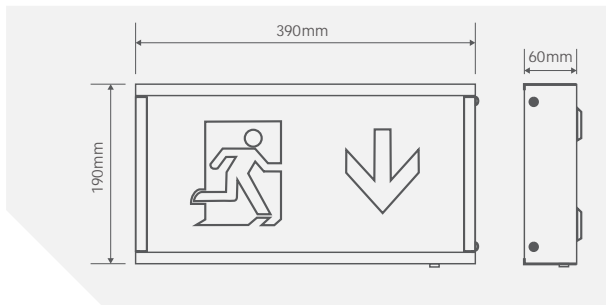
CODE	DESCRIPTION
OVEM5311BKL	4W Exit Sign - Black - Left
OVEM5311BKU	4W Exit Sign - Black - Up
OVEM5311BKR	4W Exit Sign - Black - Right

PRODUCT INFO	
Circuit Wattage (W)	4
CCT (K)	5500
Lumens (lm) (Mains)	45
Lumens (lm) (Emergency)	40
Beam Angle (°)	100
LED Lifetime (Hrs)	30000
Voltage (AC)	220-240
Frequency (Hz)	50/60
Operating Temp (°C)	0 to +40
Viewing Distance (M)	34

For replacement legends see page 455

REPLACEMENT BATTERY

OVEMB3615NCP 3.6V 1500mAh Ni-Cd Battery - Parallel See page 452



PRODUCT APPROVALS

BS EN 60598-2-22; BS EN 55015; BS EN 61000-3-2; BS EN 61000-3-3; BS EN 61547



4W Emergency LED Self-Test Maintained Box Exit Sign

AVAILABLE FINISHES



COLOUR TEMPERATURE



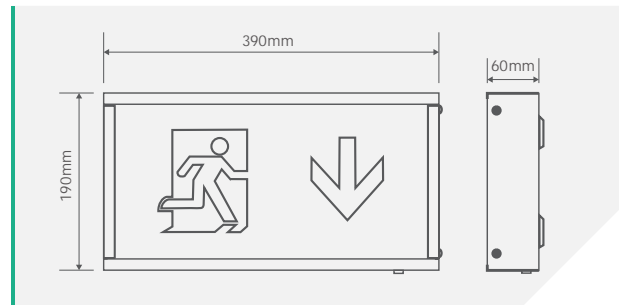
PRODUCT INFO	
Circuit Wattage (W)	4
CCT (K)	5500
Lumens (lm) (Mains)	45
Lumens (lm) (Emergency)	40
Beam Angle (°)	100
LED Lifetime (Hrs)	30000
Voltage (AC)	220-240
Frequency (Hz)	50/60
Operating Temp (°C)	0 to +40
Viewing Distance (M)	34

For replacement legends see page 455

CODE	DESCRIPTION
OVEM5311WHDST	4W Self-Test Exit Sign - White - Down
OVEM5311WHLST	4W Self-Test Exit Sign - White - Left
OVEM5311WHRST	4W Self-Test Exit Sign - White - Right
OVEM5311WHUST	4W Self-Test Exit Sign - White - Up

REPLACEMENT BATTERY

OVEMB3615NCP 3.6V 1500mAh Ni-Cd Battery - Parallel See page 452



PRODUCT APPROVALS

BS EN 60598-2-22; BS EN 62034; BS EN 55015; BS EN 61000-3-2; BS EN 61000-3-3; BS EN 61547



EMERGENCY

EMERGENCY

4W Emergency LED Maintained Box Exit Sign



AVAILABLE FINISHES

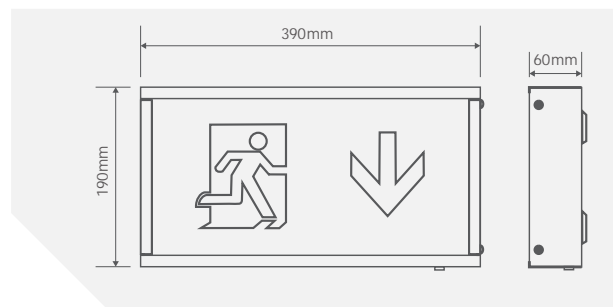


COLOUR TEMPERATURE



CODE	DESCRIPTION
OEC4-D-W	4W Maintained Box Exit Sign Down
OEC4-L-W	4W Maintained Box Exit Sign Left
OEC4-R-W	4W Maintained Box Exit Sign Right
OEC4-U-W	4W Maintained Box Exit Sign Up

REPLACEMENT BATTERY		
OEB3215L	3.2V 1500mAh Lithium (LiFePO4) Battery	See page 452



PRODUCT INFO	
Circuit Wattage (W)	4
CCT (K)	5500
Lumens (lm) (Mains)	45
Lumens (lm) (Emergency)	40
Beam Angle (°)	100
LED Lifetime (Hrs)	30000
Voltage (AC)	220-240
Frequency (Hz)	50/60
Operating Temp (°C)	0 to +40
Viewing Distance (M)	34

For replacement legends see page 455

PRODUCT APPROVALS

BS EN 60598-2-22; BS EN 55015; BS EN 61000-3-2; BS EN 61000-3-3; BS EN 61547



4W Emergency LED Maintained Box Exit Sign

AVAILABLE FINISHES



COLOUR TEMPERATURE



PRODUCT INFO	
Circuit Wattage (W)	4
CCT (K)	5500
Lumens (lm) (Mains)	45
Lumens (lm) (Emergency)	40
Beam Angle (°)	100
LED Lifetime (Hrs)	30000
Voltage (AC)	220-240
Frequency (Hz)	50/60
Operating Temp (°C)	0 to +40
Viewing Distance (M)	34

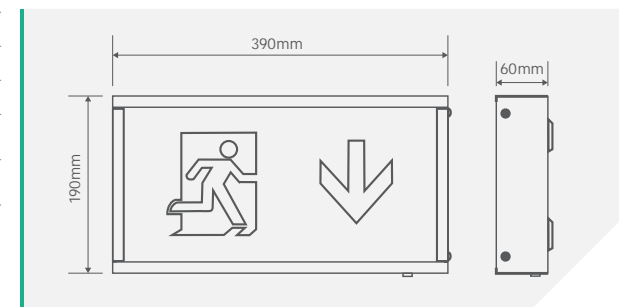
For replacement legends see page 455

PRODUCT APPROVALS

BS EN 60598-2-22; BS EN 55015; BS EN 61000-3-2; BS EN 61000-3-3; BS EN 61547

CODE	DESCRIPTION
OEC4-D-B	4W Maintained Box Exit Sign Down
OEC4-L-B	4W Maintained Box Exit Sign Left
OEC4-R-B	4W Maintained Box Exit Sign Right
OEC4-U-B	4W Maintained Box Exit Sign Up

REPLACEMENT BATTERY		
OEB3215L	3.2V 1500mAh Lithium (LiFePO4) Battery	See page 452



4W Emergency LED Maintained Self-Test Box Exit Sign



AVAILABLE FINISHES



COLOUR TEMPERATURE

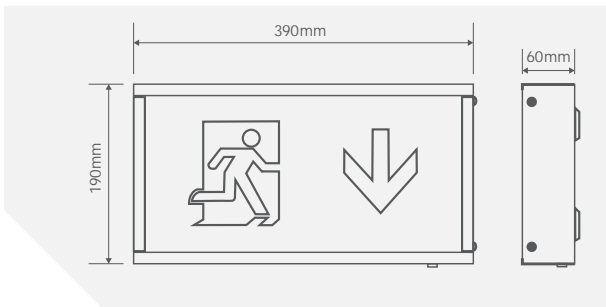


CODE	DESCRIPTION
OEC4-D-ST-W	4W Maintained Self-Test Box Exit Sign Down
OEC4-L-ST-W	4W Maintained Self-Test Box Exit Sign Left
OEC4-R-ST-W	4W Maintained Self-Test Box Exit Sign Right
OEC4-U-ST-W	4W Maintained Self-Test Box Exit Sign Up

PRODUCT INFO	
Circuit Wattage (W)	4
CCT (K)	5500
Lumens (lm) (Mains)	45
Lumens (lm) (Emergency)	40
Beam Angle (°)	100
LED Lifetime (Hrs)	30000
Voltage (AC)	220-240
Frequency (Hz)	50/60
Operating Temp (°C)	0 to +40
Viewing Distance (M)	34

REPLACEMENT BATTERY

OEB3215L 3.2V 1500mAh Lithium (LiFePO4) Battery See page 452



For replacement legends see page 455

PRODUCT APPROVALS

BS EN 60598-2-22; BS EN 62034; BS EN 55015; BS EN 61000-3-2; BS EN 61000-3-3; BS EN 61547



2W Emergency LED Maintained Wall/Ceiling Exit Sign

AVAILABLE FINISHES



COLOUR TEMPERATURE



PRODUCT INFO	
Circuit Wattage (W)	2
CCT (K)	5500
Lumens (lm) (Mains)	40
Beam Angle (°)	100
LED Lifetime (Hrs)	30000
Voltage (AC)	220-240
Frequency (Hz)	50/60
Operating Temp (°C)	0 to +40
Viewing Distance (M)	26

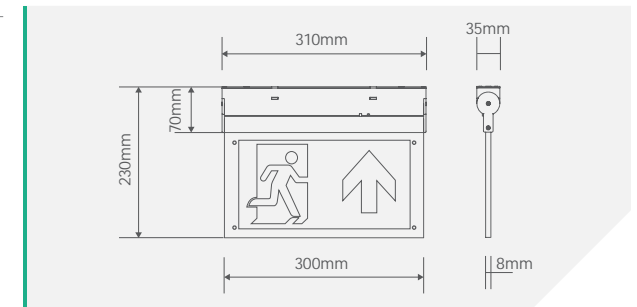
CODE	DESCRIPTION
OEH2-D	2W Maintained Wall/Ceiling Exit Sign Down
OEH2-LR	2W Maintained Wall/Ceiling Exit Sign Left & Right
OEH2-U	2W Maintained Wall/Ceiling Exit Sign Up
OEH2-D-ST	2W Maintained Self-Test Wall/Ceiling Exit Sign Down
OEH2-LR-ST	2W Maintained Self-Test Wall/Ceiling Exit Sign Left & Right
OEH2-U-ST	2W Maintained Self-Test Wall/Ceiling Exit Sign Up

REPLACEMENT BATTERY

OEB3215L 3.2V 1500mAh Lithium (LiFePO4) Battery See page 452

COMPATIBLE PRODUCTS

OVEMSP002 Wall Bracket For Exit Signs See page 458



For replacement legends see page 456

PRODUCT APPROVALS

BS EN 60598-2-22; BS EN 55015; BS EN 61000-3-2; BS EN 61000-3-3; BS EN 61547



2W Emergency LED Maintained Suspended Exit Sign

2W Emergency LED Maintained Suspended Exit Sign

EMERGENCY

EMERGENCY



AVAILABLE FINISHES



COLOUR TEMPERATURE

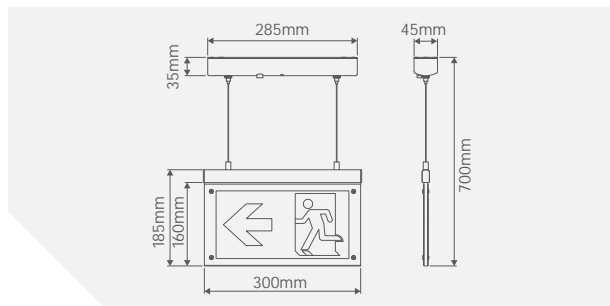


CODE	DESCRIPTION
OVEM4211D	2W Suspended Exit Sign - Down
OVEM4211LR	2W Suspended Exit Sign - Left/Right
OVEM4211U	2W Suspended Exit Sign - Up
OVEM4211DST	2W Self-Test Suspended Exit Sign - Down
OVEM4211LRST	2W Self-Test Suspended Exit Sign - Left/Right
OVEM4211UST	2W Self-Test Suspended Exit Sign - Up

COMPATIBLE PRODUCTS	
OVEMSP002	Wall Bracket For Exit Signs See page 458

PRODUCT INFO	
Circuit Wattage (W)	2
CCT (K)	5500
Lumens (lm) (Mains)	40
Lumens (lm) (Emergency)	30
Beam Angle (°)	100
LED Lifetime (Hrs)	30000
Voltage (AC)	220-240
Frequency (Hz)	50/60
Operating Temp (°C)	0 to +40
Viewing Distance (M)	26

For replacement legends see page 456



Adjustable Height, Double Sided Legend

PRODUCT APPROVALS

BS EN 60598-2-22; BS EN 55015; BS EN 61000-3-2; BS EN 61000-3-3; BS EN 61547



AVAILABLE FINISHES



COLOUR TEMPERATURE

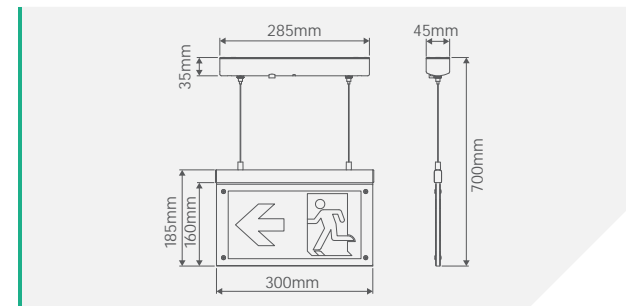


PRODUCT INFO	
Circuit Wattage (W)	2
CCT (K)	5500
Lumens (lm) (Mains)	40
Lumens (lm) (Emergency)	30
Beam Angle (°)	100
LED Lifetime (Hrs)	30000
Voltage (AC)	220-240
Frequency (Hz)	50/60
Operating Temp (°C)	0 to +40
Viewing Distance (M)	26

For replacement legends see page 456

CODE	DESCRIPTION
OEV2-D	2W Maintained Suspended Exit Sign Down
OEV2-LR	2W Maintained Suspended Exit Sign Left
OEV2-U	2W Maintained Suspended Exit Sign Up
OEV2-D-ST	2W Maintained Self-Test Hanging Exit Sign Down
OEV2-LR-ST	2W Maintained Self-Test Hanging Exit Sign Left & Right
OEV2-U-ST	2W Maintained Self-Test Hanging Exit Sign Up

COMPATIBLE PRODUCTS	
OEB3215L	3.2V 1500mAh Lithium (LiFePO4) Battery See page 452



Adjustable Height, Double Sided Legend

PRODUCT APPROVALS

BS EN 60598-2-22; BS EN 55015; BS EN 61000-3-2; BS EN 61000-3-3; BS EN 61547



3W LED IP20 Maintained Emergency Exit Box All Legends

WARRANTY 5 YEAR
 SELF TEST AVAILABLE SELF TEST ✓
 BATTERY WARRANTY 15 YEAR
 LI-ION

AVAILABLE FINISHES



4 LEGENDS supplied as standard



COLOUR TEMPERATURE

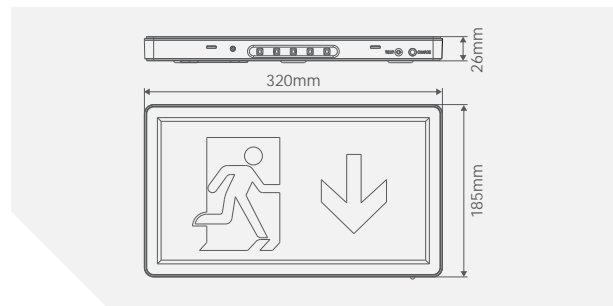


CODE	DESCRIPTION
OEE3	3W LED IP20 Maintained Emergency Exit Box All Legends
OEE3-ST	3W LED IP20 Maintained Emergency Self Test Exit Box All Legends

PRODUCT INFO	
Circuit Wattage (W)	3
CCT (K)	6500
Lumens (lm) (Mains)	36
Lumens (lm) (Emergency)	36
Beam Angle (°)	120
LED Lifetime (Hrs)	50000
Voltage (AC)	220-240
Frequency (Hz)	50/60
Operating Temp (°C)	0 to +40
Viewing Distance (M)	24

For replacement legends see page 454

REPLACEMENT BATTERY		
OEB3215L	3.2V 1500mAh Lithium (LiFePO4) Battery	See page 452



With Down Illumination Installed Supplied with all four legends (UP legend fitted)

PRODUCT APPROVALS

BS EN 60598-1; BS EN 60598-2-22; BS EN 55015; BS EN 61000-3-2; BS EN 61000-3-3; BS EN 61547



2 x 3W Emergency LED Non-Maintained Twin Spot - IP65

AVAILABLE FINISHES



SELF TEST AVAILABLE SELF TEST ✓
 BATTERY WARRANTY 4 YEAR
 WARRANTY 4 YEAR
 IP65



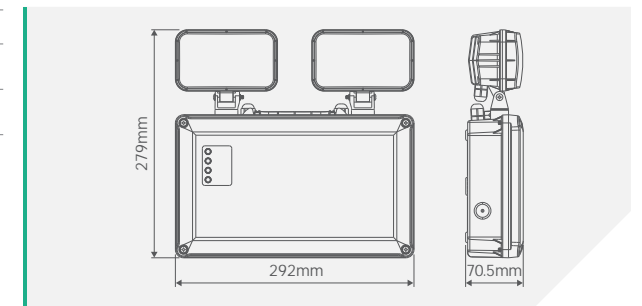
COLOUR TEMPERATURE



PRODUCT INFO	
Circuit Wattage (W)	6
CCT (K)	6500
Lumens (lm)	368
Beam Angle (°)	120
LED Lifetime (Hrs)	50000
Voltage (AC)	220-240
Frequency (Hz)	50/60
Operating Temp (°C)	0 to +40

CODE	DESCRIPTION
OVEM3610WH	2 x 3W IP65 Twin Spot Fitting
OVEM3610WHST	2 x 3W IP65 Self-Test Twin Spot Fitting

REPLACEMENT BATTERY		
OVEMB3630NCS	3.6V 3000mAh Ni-Cd Battery - Serial	See page 452



PRODUCT APPROVALS

Adjustable Spots

BS EN 60598-1; BS EN 60598-2-22; BS EN 55015; BS EN 61000-3-2; BS EN 61000-3-3; BS EN 61547



EMERGENCY

EMERGENCY

2 X 3W Emergency LED Non-Maintained Twin Spot



AVAILABLE FINISHES



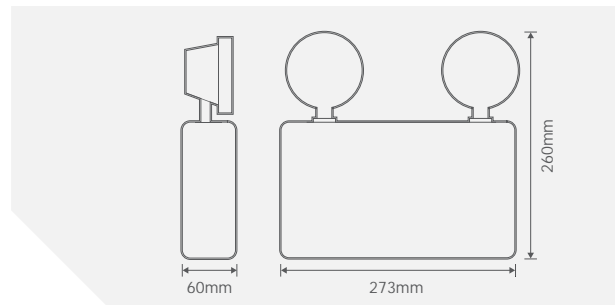
COLOUR TEMPERATURE



CODE	DESCRIPTION
OEN6C	2 X 3W Non-Maintained Twin Spot

REPLACEMENT BATTERY		
OEB3215L	3.2V 1500mAh Lithium (LiFePO4) Battery	See page 452

PRODUCT INFO	
CCT (K)	6000
Lumens (lm)	300
Wattage (W)	6
Beam Angle (°)	100
LED Lifetime (Hrs)	30000
Voltage (AC)	220-240
Frequency (Hz)	50/60
Operating Temp (°C)	0 to +40



PRODUCT APPROVALS

BS EN 60598-2-22; BS EN 62034; BS EN 55015; BS EN 61000-3-2; BS EN 61000-3-3; BS EN 61547



2 X 3W IP65 Emergency LED Non-Maintained Twin Spot

AVAILABLE FINISHES



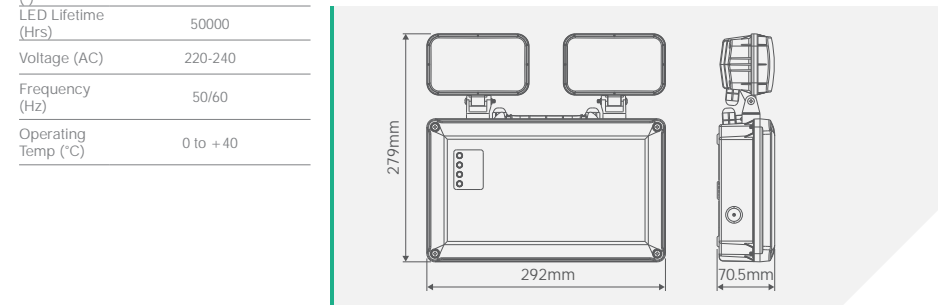
COLOUR TEMPERATURE



PRODUCT INFO	
CCT (K)	6500
Lumens (lm)	350
Wattage (W)	6
CRI	≥70
Beam Angle (°)	120
LED Lifetime (Hrs)	50000
Voltage (AC)	220-240
Frequency (Hz)	50/60
Operating Temp (°C)	0 to +40

CODE	DESCRIPTION
OEN6	2 X 3W IP65 Emergency LED Non-Maintained Twin Spot

REPLACEMENT BATTERY		
OEB3255L	3.2V 5500mAh Lithium (LiFePO4) Battery	See page 452



PRODUCT APPROVALS

BS EN 60598-2-22; BS EN 62034; BS EN 55015; BS EN 61000-3-2; BS EN 61000-3-3; BS EN 61547



2 X 3W IP65 Emergency LED Non-Maintained Self Test Twin Spot



AVAILABLE FINISHES



COLOUR TEMPERATURE



CODE DESCRIPTION

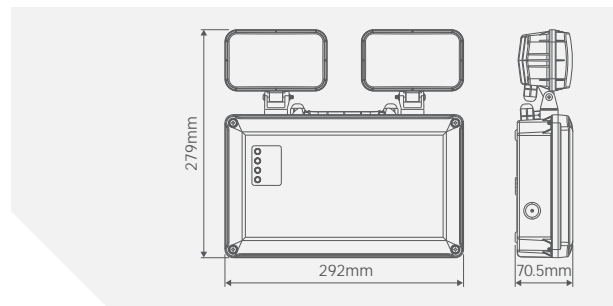
OEN6-ST 2 X 3W IP65 Emergency LED Non-Maintained Self Test Twin Spot

REPLACEMENT BATTERY

OEB3255L 3.2V 5500mAh Lithium (LiFePO4) Battery See page 452

PRODUCT INFO

CCT (K)	6500
Lumens (lm)	350
Wattage (W)	6
CRI	≥70
Beam Angle (°)	120
LED Lifetime (Hrs)	50000
Voltage (AC)	220-240
Frequency (Hz)	50/60
Operating Temp (°C)	0 to +40



Adjustable Spots

PRODUCT APPROVALS

BS EN 60598-2-22; BS EN 62034; BS EN 55015; BS EN 61000-3-2; BS EN 61000-3-3; BS EN 61547



5W Emergency LED Non-Maintained Downlights

AVAILABLE FINISHES



COLOUR TEMPERATURE



PRODUCT INFO

Circuit Wattage (W)	5
CCT (K)	5500
Lumens (lm)	250
Beam Angle (°)	120
LED Lifetime (Hrs)	30000
Voltage (AC)	220-240
Frequency (Hz)	50/60
Operating Temp (°C)	0 to +40

CODE DESCRIPTION

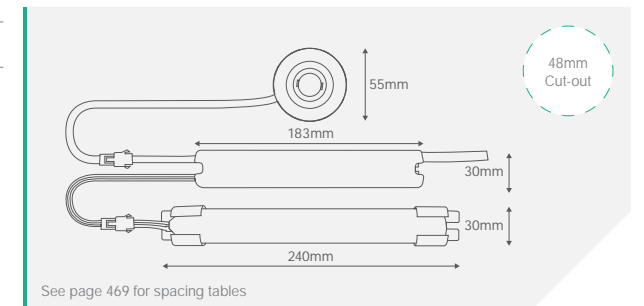
OVEM8510 5W Corridor Downlight - White
OVEM8510ST 5W Self-Test Corridor Downlight - White

REPLACEMENT BATTERY

OVEMB4835NCS 4.8V 3500mAh Ni-Cd Battery - Serial See page 452

COMPATIBLE PRODUCTS

OIE15CP-W 5W Emergency Downlight Adapter Plate - White See page 453



See page 469 for spacing tables

See page 469 for spacing tables

PRODUCT APPROVALS

BS EN 60598-2-22; BS EN 55015; BS EN 61000-3-2; BS EN 61000-3-3; BS EN 61547



3W Emergency LED Non-Maintained Corridor Downlight



AVAILABLE FINISHES



COLOUR TEMPERATURE

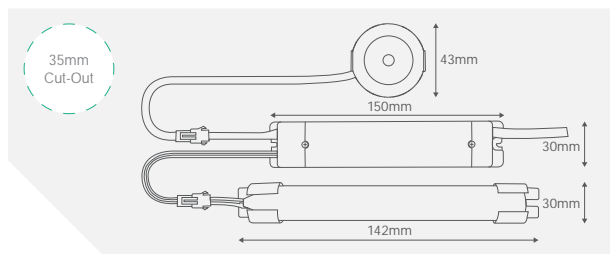


CODE	DESCRIPTION
OEI3C	3W Corridor Downlight
OEI3C-DA	3W DALI Emergency Corridor Downlight
OEI3C-ST	3W Self-Test Corridor Downlight

REPLACEMENT BATTERY		
OEB3215L	3.2V 1500mAh Lithium (LiFePO4) Battery	See page 452

COMPATIBLE PRODUCTS		
OEI3CP	3W Emergency Downlight Adapter Plate	See page 453

PRODUCT INFO	
Circuit Wattage (W)	3
CCT (K)	5500
Lumens (lm)	110
Beam Angle (°)	135
LED Lifetime (Hrs)	30000
Voltage (AC)	220-240
Frequency (Hz)	50/60
Operating Temp (°C)	0 to +40



See page 469 for spacing tables

PRODUCT APPROVALS

BS EN 60598-2-22; BS EN 55015; BS EN 61000-3-2; BS EN 61000-3-3; BS EN 61547



3W Emergency LED Non-Maintained Open Downlight

AVAILABLE FINISHES



COLOUR TEMPERATURE

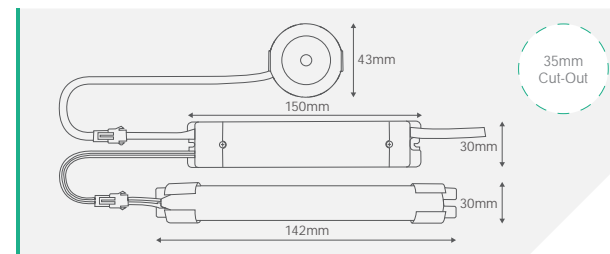


PRODUCT INFO	
Circuit Wattage (W)	3
CCT (K)	5500
Lumens (lm)	130
Beam Angle (°)	120
LED Lifetime (Hrs)	30000
Voltage (AC)	220-240
Frequency (Hz)	50/60
Operating Temp (°C)	0 to +40

CODE	DESCRIPTION
OEI3O	3W Open Downlight
OEI3O-DA	3W DALI Emergency Open Downlight
OEI3O-ST	3W Self-Test Open Downlight

REPLACEMENT BATTERY		
OEB3215L	3.2V 1500mAh Lithium (LiFePO4) Battery	See page 452

COMPATIBLE PRODUCTS		
OEI3CP	3W Emergency Downlight Adapter Plate	See page 453



See page 469 for spacing tables

PRODUCT APPROVALS

BS EN 60598-2-22; BS EN 62034; BS EN 55015; BS EN 61000-3-2; BS EN 61000-3-3; BS EN 61547



EMERGENCY

EMERGENCY

5W Emergency LED Non-Maintained Corridor Downlight



AVAILABLE FINISHES



COLOUR TEMPERATURE

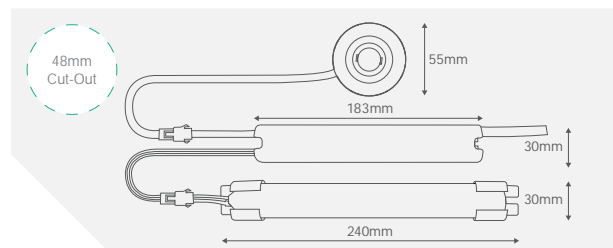


CODE	DESCRIPTION
OE15C	5W Corridor Downlight
OE15C-ST	5W Self-Test Corridor Downlight

REPLACEMENT BATTERY		
OEB3260L	3.2V 6000mAh Lithium (LiFePO4) Battery	See page 452

COMPATIBLE PRODUCTS		
OE15CP	5W Emergency Downlight Adapter Plate	See page 453

PRODUCT INFO	
Circuit Wattage (W)	5
CCT (K)	5500
Lumens (lm)	250
Beam Angle (°)	120
LED Lifetime (Hrs)	30000
Voltage (AC)	220-240
Frequency (Hz)	50/60
Operating Temp (°C)	0 to +40



See page 470 for spacing tables

PRODUCT APPROVALS

BS EN 60598-2-22; BS EN 55015; BS EN 61000-3-2; BS EN 61000-3-3; BS EN 61547



5W Emergency LED Non-Maintained Open Downlight

AVAILABLE FINISHES



COLOUR TEMPERATURE

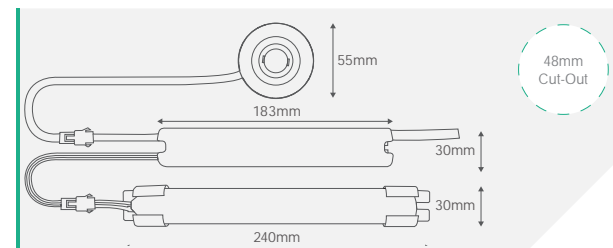


PRODUCT INFO	
Circuit Wattage (W)	5
CCT (K)	5500
Lumens (lm)	250
Beam Angle (°)	120
LED Lifetime (Hrs)	30000
Voltage (AC)	220-240
Frequency (Hz)	50/60
Operating Temp (°C)	0 to +40

CODE	DESCRIPTION
OE15O	5W Open Downlight
OE15O-ST	5W Self-Test Open Downlight

REPLACEMENT BATTERY		
OEB3260L	3.2V 6000mAh Lithium (LiFePO4) Battery	See page 452

COMPATIBLE PRODUCTS		
OE15CP	5W Emergency Downlight Adapter Plate	See page 453



See page 470 for spacing tables

PRODUCT APPROVALS

BS EN 60598-2-22; BS EN 55015; BS EN 61000-3-2; BS EN 61000-3-3; BS EN 61547



2.8W Emergency LED Self-Test Non-Maintained Surface Downlights



AVAILABLE FINISHES

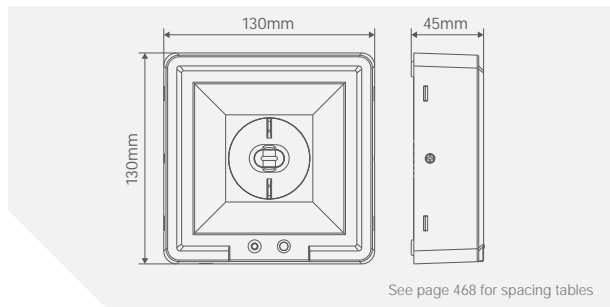


COLOUR TEMPERATURE



CODE	DESCRIPTION
OVEM12210WHST	2.8W Self-Test Square Surface Downlight (3 Lens) - White

REPLACEMENT BATTERY	
OVEMB3620NCS-SC1	3.6V 2000mAh Ni-Cd Battery - 1 + 2 Serial See page 452



See page 468 for spacing tables

PRODUCT INFO	CL			WCL			OAL		
	CL	WCL	OAL	CL	WCL	OAL	CL	WCL	OAL
Circuit Wattage (W)	2.8								
CCT (K)	6500								
Lumens (lm)	137	152	159						
Beam Angle (°)	38	170	161						
LED Lifetime (Hrs)	50000								
Voltage (AC)	220-240								
Frequency (Hz)	50/60								
Operating Temp (°C)	0 to +40								

Supplied with 3 Lens Types (Corridor, Wide Corridor & Open Area)

PRODUCT APPROVALS

BS EN 60598-1; BS EN 60598-2-22; BS EN 55015; BS EN 61000-3-2; BS EN 61000-3-3; BS EN 61547



2.8W Emergency LED Self-Test Non-Maintained Surface Downlights

AVAILABLE FINISHES



COLOUR TEMPERATURE



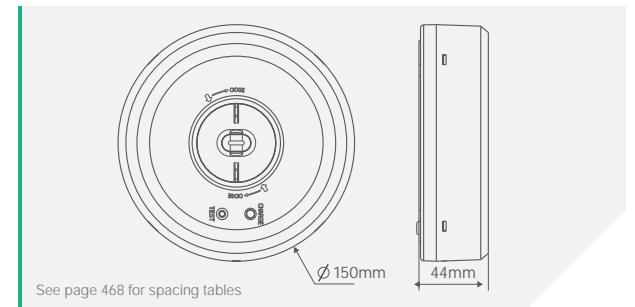
PRODUCT INFO	CL			WCL			OAL		
	CL	WCL	OAL	CL	WCL	OAL	CL	WCL	OAL
Circuit Wattage (W)	2.8								
CCT (K)	6500								
Lumens (lm)	137	152	159						
Beam Angle (°)	38	170	161						
LED Lifetime (Hrs)	50000								
Voltage (AC)	220-240								
Frequency (Hz)	50/60								
Operating Temp (°C)	0 to +40								

REPLACEMENT BATTERY	
OVEMB3620NCS-SC2	3.6V 2000mAh Ni-Cd Battery - 3 x 1 Serial See page 452

PRODUCT INFO	CL			WCL			OAL		
	CL	WCL	OAL	CL	WCL	OAL	CL	WCL	OAL
Circuit Wattage (W)	2.8								
CCT (K)	6500								
Lumens (lm)	137	152	159						
Beam Angle (°)	38	170	161						
LED Lifetime (Hrs)	50000								
Voltage (AC)	220-240								
Frequency (Hz)	50/60								
Operating Temp (°C)	0 to +40								

CODE	DESCRIPTION
OVEM10210WHST	2.8W Self-Test Round Surface Downlight (3 Lens) - White

REPLACEMENT BATTERY	
OVEMB3620NCS-SC2	3.6V 2000mAh Ni-Cd Battery - 3 x 1 Serial See page 452



See page 468 for spacing tables

PRODUCT APPROVALS

Supplied with 3 Lens Types (Corridor, Wide Corridor & Open Area)

BS EN 60598-1; BS EN 60598-2-22; BS EN 55015; BS EN 61000-3-2; BS EN 61000-3-3; BS EN 61547



EMERGENCY

EMERGENCY

Battery Replacements

WARRANTY
5
YEAR

CODE	DESCRIPTION	
OEB3212L	3.2V 1200mAh LiFePO4 Replacement Battery	Inceptor Hulke5
OEB3215L	3.2V 1500mAh LiFePO4 Replacement Battery	Calvex5, Hanex5, Newem5, Ibex5 (3W), Novem5, Ornex5
OEB3215LB	3.2V 1500mAh LiFePO4 Replacement Battery with Bracket	Vanex5
OEB3260L	3.2V 6000mAh LiFePO4 Replacement Battery	Ibex5 (5W)
OEB6432L	6.4V 3200mAh LiFePO4 Replacement Battery	Control Gear5

WARRANTY
4
YEAR

OVEMB3608NCP	3.6V 800mAh Ni-Cd Battery - Parallel	OVEM11311 Range
OVEMB3609NCP	3.6V 900mAh Ni-Cd Battery - Parallel	OVEM4211 Range OVEM4211*ST Range OVEM6211 Range OVEM6211*ST Range
OVEMB3615NCP	3.6V 1500mAh Ni-Cd Battery - Parallel	OVEM5311 Range OVEM5311*ST Range
OVEMB3618NCP	3.6V 1800mAh Ni-Cd Battery - Parallel	OVEM9411 - 4W
OVEMB3618NCP-BT	3.6V 1800mAh Ni-Cd Battery - Parallel On Bracket	OVEM3610WHIP20
OVEMB3609NCS	3.6V 900mAh Ni-Cd Battery - Serial	OVEM2311
OVEMB3612NCS	3.6V 1200mAh Ni-Cd Battery - Serial	OVEM1311 OVEM1311ST
OVEMB3618NCS	3.6V 1800mAh Ni-Cd Battery - Serial	OVEM7310 OVEM7310ST OVEM8310 OVEM8310ST
OVEMB3620NCS-SC1	3.6V 2000mAh Ni-Cd Battery - 1 + 2 Serial	OVEM12210WHST
OVEMB3620NCS-SC2	3.6V 2000mAh Ni-Cd Battery - 3 x 1 Serial	OVEM10210WHST
OVEMB3630NCS	3.6V 3000mAh Ni-Cd Battery - Serial	OVEM3610WH OVEM3610WHST
OVEMB4835NCS	4.8V 3500mAh Ni-Cd Battery - Serial	OVEM7510 OVEM7510ST OVEM8510 OVEM8510ST



Accessories

WARRANTY
2
YEAR



Ernex Replacement Legends



OVEMSP005D

Ernex LED Box Exit Sign Legend - Down



OVEMSP005L

Ernex LED Box Exit Sign Legend - Left



OVEMSP005R

Ernex LED Box Exit Sign Legend - Right



OVEMSP005U

Ernex LED Box Exit Sign Legend - Up



PRODUCT APPROVALS

BS EN ISO 7010



Calvex Replacement Legends



OVEMSP006D

Calvex LED Box Exit Sign Legend - Down



OVEMSP006L

Calvex LED Box Exit Sign Legend - Left



OVEMSP006R

Calvex LED Box Exit Sign Legend - Right



OVEMSP006U

Calvex LED Box Exit Sign Legend - Up



PRODUCT APPROVALS

BS EN ISO 7010



Hanex & Vanex Replacement Legends

WARRANTY
4
YEAR

OVEMSP007D

Hanex & Vanex LED Box Exit Sign Legend - Down



OVEMSP007L

Hanex & Vanex LED Box Exit Sign Legend - Left



OVEMSP007R

Hanex & Vanex LED Box Exit Sign Legend - Right



OVEMSP007U

Hanex & Vanex LED Box Exit Sign Legend - Up



PRODUCT APPROVALS

BS EN ISO 7010



Emergency Conversion Solution

AVAILABLE FINISHES

WARRANTY
5
YEAR
IP20



PRODUCT INFO

Wattage (W)	4
Voltage (AC)	220-240
Frequency (Hz)	50/60
Operating Temp (°C)	0 to +50

CODE

OEP4
OEP4-ST

DESCRIPTION

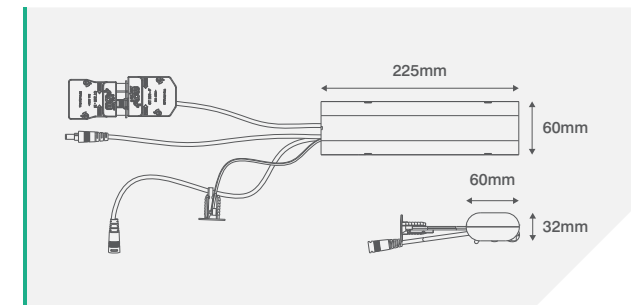
Emergency Conversion Solution For LED Panels
Emergency Self-Test Conversion Solution For LED Panels

REPLACEMENT BATTERY

OEB6432L 6.4V 3200mAh Lithium (LiFePO4) Battery See page 452

COMPATIBLE PRODUCTS

OVIA LED panels & AluPanel (excluding 24W) fittings



PRODUCT APPROVALS

BS EN 61347-1; BS EN 61347-2-7; BS EN 55015; BS EN 61000-3-2; BS EN 61000-3-3; BS EN 61547

CT203C - 4 Pole Connector with Fast-Fit Cord Grip





EMERGENCY

EMERGENCY

Accessories

EMERGENCY

CODE	DESCRIPTION	AVAILABLE FINISHES
OVEMSP002	Wall Bracket For Exit Signs	<div style="border: 1px solid gray; border-radius: 50%; width: 40px; height: 40px; display: flex; align-items: center; justify-content: center;"> WHITE </div>
 		<p>WARRANTY</p> <div style="border: 1px solid gray; border-radius: 50%; width: 40px; height: 40px; display: flex; align-items: center; justify-content: center;"> 1 YEAR </div>
<p>Suitable for OVEM4211, OVEM4211ST (Suspended Signs) & OVEM6211, OVEM6211ST (Wall/Ceiling Signs)</p>		

CODE	DESCRIPTION	WARRANTY
OVEMSP003	Emergency Bulkhead Replacement Legends	<div style="border: 1px solid gray; border-radius: 50%; width: 40px; height: 40px; display: flex; align-items: center; justify-content: center;"> 1 YEAR </div>
 		
<p>Suitable for Bulkheads, OVEM1311, OVEM1311ST and OVEM2311</p>		

CODE	DESCRIPTION	AVAILABLE FINISHES
OVEMSP004	Emergency Bulkhead Flush Mounting Kit	<div style="border: 1px solid gray; border-radius: 50%; width: 40px; height: 40px; display: flex; align-items: center; justify-content: center;"> WHITE </div>
 <div style="border: 1px dashed gray; border-radius: 50%; padding: 5px; display: inline-block;"> 370mm x135mm Cut-out </div> 		<p>WARRANTY</p> <div style="border: 1px solid gray; border-radius: 50%; width: 40px; height: 40px; display: flex; align-items: center; justify-content: center;"> 1 YEAR </div>
<p>Suitable for Bulkheads, OVEM1311 & OVEM1311ST</p>		

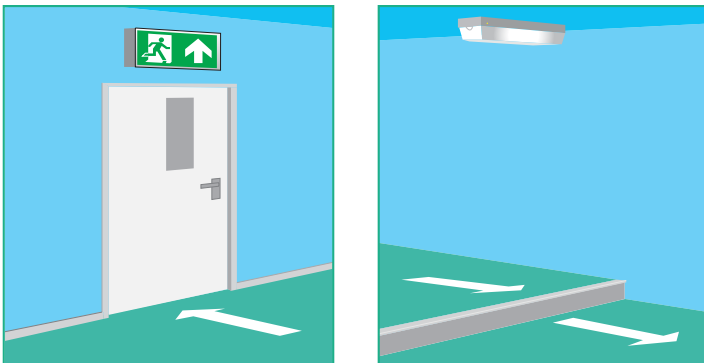
EMERGENCY TECHNICAL SUMMARY



Design Objective - Stage 1

**LOCATE LUMINAIRES
MANDATORY POINTS OF
EMPHASIS**

Initial design is conducted by situating luminaires to reveal specific hazards and highlight safety equipment and signs, in addition to providing illumination to assist safe travel along the escape route. This should be performed regardless of whether it is an emergency escape route or an open (anti-panic) area. Only when this is accomplished should the type of luminaire or its light output be considered. BS EN 1838: 2013 requires that the luminaires sited at points of emphasis must comply with BS EN 60 598-2-22. Specific locations where a luminaire must be provided are;

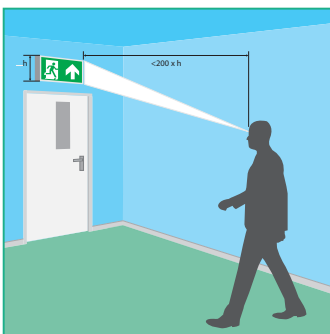


Design Objective - Stage 2

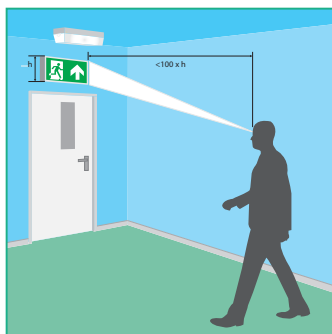
**MAXIMUM VIEWING
DISTANCES AND
ILLUMINATION**

For all formats of safety signs, the maximum viewing distances and luminance conditions are given in EN 1838: 2013. Signs can be either internally illuminated, such as exit boxes or edge lit luminaires with a screened sign that have a controlled illuminance or painted signs. These include photoluminescent signs, but to be acceptable they must have an external lighting illuminating them in normal condition to 100 lux and 5 lux on any part of the face under mains failure condition. Maximum viewing distances are;

Internally illuminated signs -
200 x the panel height



Externally illuminated signs -
100 x the panel height



Code of Practice for The Emergency Lighting of Premises

The Base Guidance Document BS 5266 gives general rules and guidance on the provision and operation of emergency lighting in most premises other than dwelling houses;

BS 5266-1	Code of practice for emergency lighting of premises.
BS 5266-2	Code of practice for electrical low mounted way guidance systems for emergency use.
BS 5266-4	Code of practice for design, installation, maintenance and use of optical fibre systems.
BS 5266-5	Specification for component parts of optical fibre systems.
BS 5266-6	Code of practice for non-electrical low mounted way guidance systems for emergency use.



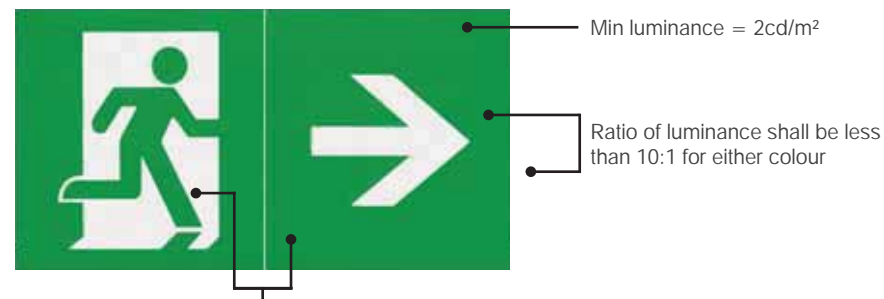
BS 5266 gives recommendations and guidance on the factors that need to be considered in the design of, and the installation and wiring of, electrical emergency escape lighting systems. This provides the lighting performance needed for safe movement of people in the event of the supply to normal lighting failing. It also gives recommendations for lighting in areas with fixed seating. For this, it can be seen that you should ensure following provisions are fulfilled;

- Indicate clearly the escape routes.
- Provide illumination along such routes to allow safe movement towards and through the exits provided.
- Ensure that fire alarm call points and fire fighting equipment provided along escape routes can be readily located.
- To permit operations concerned with safety measures.
- To ensure that any area requiring special consideration as identified by the risk assessment have the necessary level of emergency illumination.

BS 5266 recommends that discussions should be held prior to commencing the design, to establish the areas covered, the method of operation, the testing regime and the most suitable type of system. These discussions should include the owner or occupier of the premises, the system designer, the installer and the supplier of the equipment. At this stage, the provision of plans should be made available to identify;

- Escape routes
- Open areas
- High risk task areas
- Safety equipment, including fire safety equipment, safety signs and any other aspects identified by risk assessment
- Details of normal lighting and its control system

The sign must conform to the colours of ISO 3864, which defines that exit and first aid signs must be white with green as the contrast colour. The ratio of luminance of the white colour to the green colour must be between 5:1 and 15:1. The minimum luminance of any 10mm patch area on the sign must be greater than 2cd/m² and the ratio of maximum to minimum luminance shall be less than 10:1 for either colour.



Contrast of the colours must be between 5:1 and 15:1

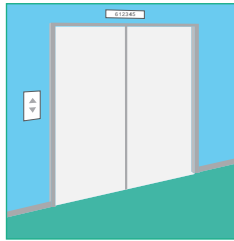
Design Objective - Stage 3

LOCATE LUMINAIRES IN ESSENTIAL AREAS

These locations are not part of the escape route, however because of their risk, they require protection by emergency lighting. Some of these areas are specifically defined in BS 5266-1: 2016, others are likely to be hazard areas defined by the risk assessment.

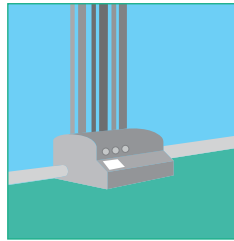
LIFT CARS

Although only in expectational circumstances will they be part of the escape route, they do present a problem in that the public may be trapped in them in the event of a supply failure.



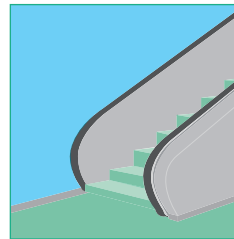
MOTOR GENERATOR, CONTROL OR PLANT ROOMS

Require battery supplied emergency lighting to assist any maintenance or operating personnel in the event of failure.



ESCALATORS

To enable users to get off them safely.



TOILETS

All toilets for the disabled and facilities exceeding 8m² floor area or without borrowed lights.



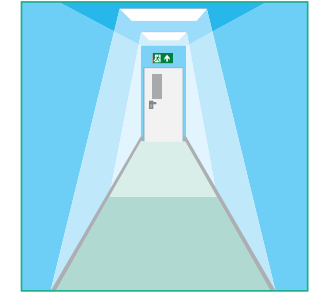
Other areas to consider:

- Kitchens
- Fire Equipment
- First Aid & Treatment Rooms
- Covered Car Parks
- Refuge areas for disabled people
- Panic Bars and Pads

Design Objective - Stage 4

ESCAPE ROUTE LIGHTING & LIGHT LEVEL REQUIREMENTS

When the points of emphasis have been covered, it is essential to provide any additional luminaires to ensure that minimum illuminance levels are met to enable the routes to be used safely. In addition, every compartment on the escape route must have at least two luminaires to provide some light in the event of luminaire failure.

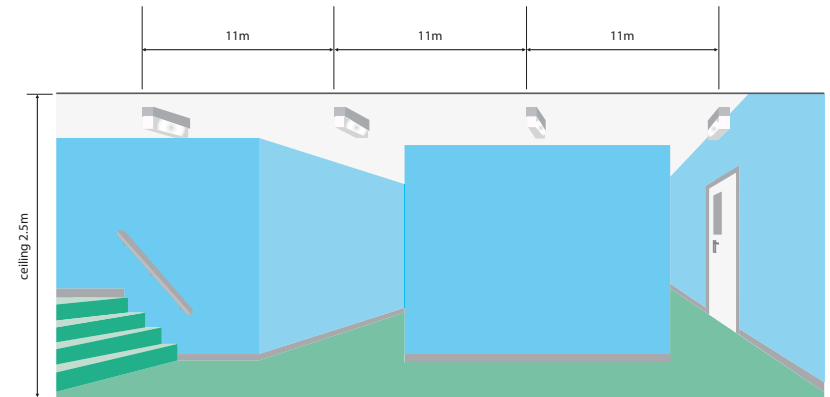


BS EN 1838: 2013, 4.2 calls for a minimum of 1 lux anywhere on the centre line of the escape route for normal risks. A uniformity ratio of 40:1 maximum to minimum must not be exceeded. This illuminance must be provided for the full duration and life of the system. 50% of the illuminance must be available within 5 seconds and the full value within 60 seconds of supply failure.

PHOTOMETRIC DESIGN - EMERGENCY ESCAPE ROUTES

The use of authenticated spacing tables or a suitable computer program provides the information to determine whether luminaires are needed in addition to those for the points of emphasis, to provide the minimum required level of illumination on the escape routes. To ensure that the design will meet the required levels at all times, the data is de-rated, as required by the standard to cover the following factors:

- Reduction in light as the battery voltage reduces during discharge
- Ageing of lamps in maintained circuits
- The effect of dirt



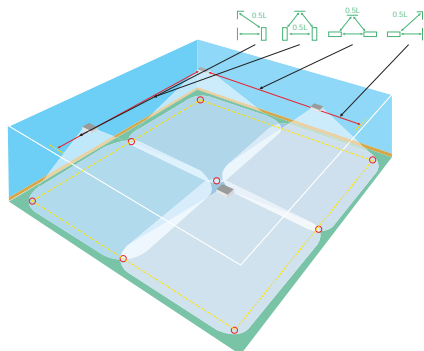
Mounting Height	Axial/Wall	Axial/Axial	Transverse/Axial	Transverse/Transverse	Transverse/Wall
2.0m	2.2	6.0	6.0	6.0	2.1
2.5m	2.3	6.3	6.0	5.6	2.4
3.0m	2.2	6.4	6.3	6.2	2.5

TECHNICAL SUMMARY

TECHNICAL SUMMARY

Design Objective - Stage 5

Areas larger than 60m² than, open areas with an escape route passing through them, or hazards identified by the building risk assessment all require emergency lighting. The current standard is easy to design for and to verify, promoting systems that provide good uniformity rather than ones that use a few large output luminaires.



OPEN (ANTI-PANIC) CORE AREAS

BS EN 1838: 2013, 4.3 calls for 0.5 lux minimum of the empty core area, which excludes a border of 0.5m of the perimeter area. Spacing tables or a suitable computer program provide simple and accurate data that can easily be used. The spacing tables for 0.5 lux are de-rated on the same basis as those for escape routes. They can also be used as a guide for initial selection of the location of luminaires when using a computer program.

0.5 metre border (core area excludes a border of 0.5m of the perimeter of the area)

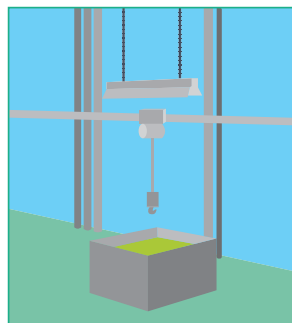
Minimum points - at which 0.5 lux is obtained

Design Objective - Stage 6

The risk assessment carried out will have identified a number of locations needing special consideration. These may be areas in which plant and production lines are deemed to have a high risk or control rooms managing dangerous processes. In addition to these identified areas, a selection of other typical areas are detailed in BS 5266-1: 2016.

BS EN 1838: 2013 defines that in areas of high risk, the maintained illuminance on the reference plane shall be not less than 10% of the required maintained illuminance for that task, however it shall not be less than 15 lux.

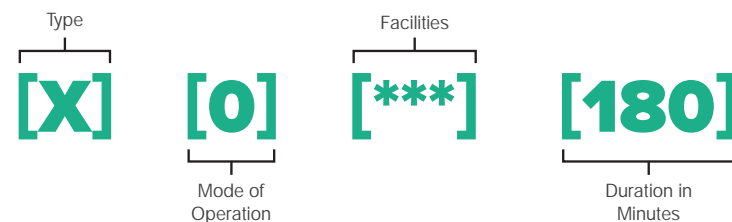
In order to reach this enhanced level of emergency illumination, it is important to consider all options which may include converted luminaires, either operated from integral batteries or the use of luminaires supplied from a central emergency unit. These versions in most instances would have higher Ballast Lumen Factors (BLF). It is also important to consider the emergency response time which may require that the emergency luminaires are operated in maintained mode, or possibly require the use of tungsten projector units. If these are used, it is important to maintain a reasonable level of uniformity.



HIGH RISK TASK AREA LIGHTING

Emergency Lighting Classifications Header Description

1) TYPE	X - Self-Contained Y - Central Battery
2) MODE OF OPERATION	0 - Non-Maintained 1 - Maintained 2 - Combined Non-Maintained 3 - Combined Maintained
3) FACILITIES	A - Including test device B - Including remote test device C - Including inhibiting mode D - High risk task luminaire E - Non-replaceable lamps or battery F - Automatic test gear G - Internally illuminated safety sign
4) DURATION IN MINUTES	10, 60, 120 or 180



OEN3
3W LED IP65 Maintained 3HR
Emergency Bulkhead
3.6V 1200mAh Ni-Cad Type U
220-240V AC 50Hz

OVIA
NOVEM

BS EN 60598-2-22
Batch Code:

TYPE	MODE	FACILITIES	DURATION
X	1	***	180

Product Warranty & System Standards

All Emergency Lighting has been third party LVD & EMC tested and approved to;

BS EN 60598-2-22	Luminaires. Particular requirements Luminaires for emergency lighting
BS EN 60598-2-22	Luminaires. General requirements and tests
BS EN 61058-1	Switches for appliances. General requirements
BS EN 55015	Limits and methods of measurement of radio disturbance characteristics of electrical lighting and similar equipment
BS EN 61000-3-2	Electromagnetic compatibility (EMC). Limits. Limits for harmonic current emissions (equipment input current < 16A per phase)
BS EN 61000-3-3	Electromagnetic compatibility (EMC). Limits. Limitation of voltage changes, voltage fluctuations and flicker in public low-voltage supply systems, for equipment with rated current ≤ 16 A per phase and not subject to conditional connection.
BS EN 61547	Equipment for general lighting purposes. EMC immunity requirements.

The following two system standards specify the illumination to be provided by emergency lighting & the minimum provision and testing of emergency lighting for different premises;

BS EN 1838	Lighting applications. Emergency lighting.
BS EN 50172	Emergency escape lighting systems.

3W IP65 Hinged Bulkhead With Legend



Mounting Height	Axial/Wall	Axial/Axial	Transverse/Axial	Transverse/Transverse	Transverse/Wall
2.0m	2.2	6.0	6.0	6.0	2.1
2.5m	2.3	6.3	6.0	5.6	2.4
3.0m	2.2	6.4	6.3	6.2	2.5

4W Flush Mounted Bulkhead



Mounting Height	Axial/Wall	Axial/Axial	Transverse/Axial	Transverse/Transverse	Transverse/Wall
2.0m	2.4	6.3	6.3	6.3	2.4
2.5m	2.5	6.7	6.7	6.7	2.5
3.0m	2.5	6.9	6.9	6.9	2.4

3W Emergency LED Maintained Bulkhead - IP65



Mounting Height	Axial/Wall	Axial/Axial	Transverse/Axial	Transverse/Transverse	Transverse/Wall
2.0m	3	7	6	5.5	2
2.5m	3	8	7	6	2.5
3.0m	3.2	8.8	7.8	6.8	2.6

4W Maintained Flush Bulkhead



Mounting Height	Axial/Wall	Axial/Axial	Transverse/Axial	Transverse/Transverse	Transverse/Wall
2.0m	2.8	6.8	6.8	6.8	2.8
2.5m	3	7.9	7.9	7.9	3
3.0m	3.3	8.1	8.1	8.1	3.3

2.8W Self-Test Round Surface Downlight (3 Lens) - White

CL
version



Mounting Height	Axial/Wall	Axial/Axial	Transverse/Axial	Transverse/Transverse	Transverse/Wall
2.0m	5.5	11	11	11	5.5
2.5m	6.0	13	13	13	6.0
3.0m	7.0	15	15	15	7.0

2.8W Self-Test Round Surface Downlight (3 Lens) - White

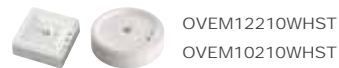
CWL
version



Mounting Height	Axial/Wall	Axial/Axial	Transverse/Axial	Transverse/Transverse	Transverse/Wall
2.0m	2.5	5.0	5.0	5.0	2.5
2.5m	2.5	5.5	5.5	5.5	2.5
3.0m	3.0	6.0	6.0	6.0	2.5

2.8W Self-Test Round Surface Downlight (3 Lens) - White

OAL
version



Mounting Height	Axial/Wall	Axial/Axial	Transverse/Axial	Transverse/Transverse	Transverse/Wall
2.0m	3.0	8.0	8.0	8.0	3.0
2.5m	3.1	8.5	8.5	8.5	3.1
3.0m	3.0	8.7	8.7	8.7	3.0

5W Corridor Downlight - White



Mounting Height	Axial/Wall	Axial/Axial	Transverse/Axial	Transverse/Transverse	Transverse/Wall
2.0m	3.6	8.4	7.4	6.3	2.4
2.5m	4.2	9.5	8.0	6.5	2.6
3.0m	4.7	10.7	8.8	6.9	2.7

3W Emergency LED Non-Maintained Open Area Downlights



Mounting Height	Axial/Wall	Axial/Axial	Transverse/Axial	Transverse/Transverse	Transverse/Wall
2.0m	2.5	5	5	5	2.5
2.5m	2.7	5.4	5.4	5.4	2.7
3.0m	2.8	5.5	5.5	5.5	2.8

3W Emergency LED Non-Maintained Corridor Downlights



Mounting Height	Axial/Wall	Axial/Axial	Transverse/Axial	Transverse/Transverse	Transverse/Wall
2.0m	1.5	7.6	8.5	9	4
2.5m	1.6	4.3	7.5	10.5	5
3.0m	1.8	4.2	8.2	12.2	5.3

5W Emergency LED Non-Maintained
Open Area Downlights

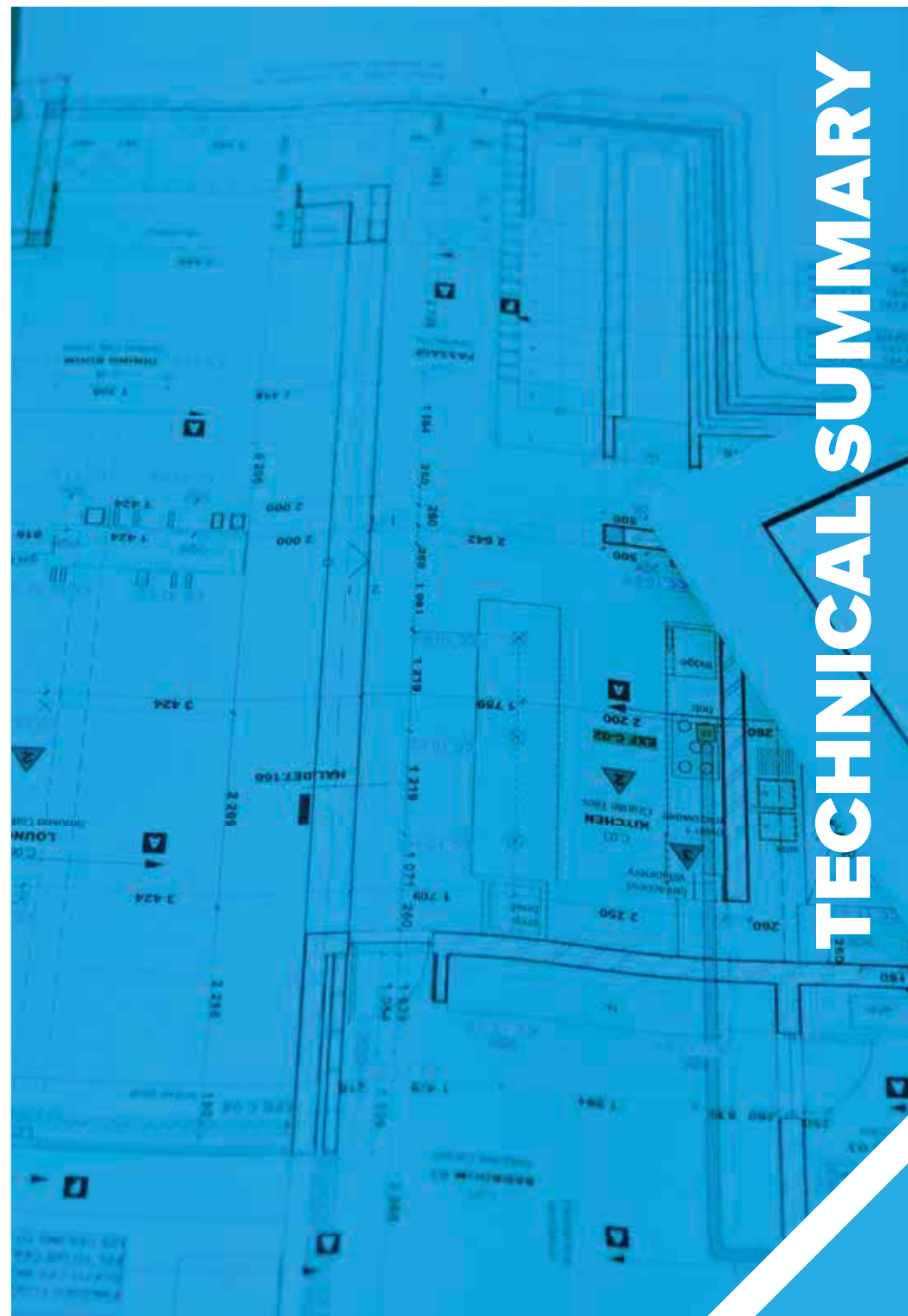


Mounting Height					
	Axial/ Wall	Axial/ Axial	Transverse/ Axial	Transverse/ Transverse	Transverse/ Wall
2.0m	2.5	5.5	5.5	5.5	2.5
2.5m	2.5	6	6	6	2.5
3.0m	3	6.5	6.5	6.5	3

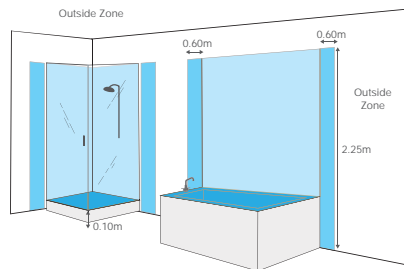
5W Emergency LED Non-Maintained
Open Area Downlights



Mounting Height					
	Axial/ Wall	Axial/ Axial	Transverse/ Axial	Transverse/ Transverse	Transverse/ Wall
2.0m	3.5	8.5	7.5	6.5	2.5
2.5m	4	9.5	8	6.5	2.5
3.0m	5	10.8	9	7	2.8



(AC) ALTERNATING CURRENT	AC current is the format that Mains electricity is supplied in. Alternating Current is the movement or flow of electric charge that periodically changes direction.
ACCENT LIGHTING	Accent lighting is used to highlight particular areas or artefacts.
AISI316L STAINLESS STEEL	316L is a low carbon content grade of Stainless Steel, that has excellent corrosion resistance properties, also known as Marine Grade due to its corrosion resistance. All Stainless Steel requires a degree of maintenance to ensure its appearance does not tarnish over time.
AMBIENT LIGHTING	The level of background light, which is usually low and supplemented by Task or Accent lighting.
AMBIENT TEMPERATURE	The temperature of the air that surrounds the fixture in the room, ambient temperature is very important when selecting a fixture especially in extreme temperature environments.
ANTI-LIGATURE	An anti-ligature luminaire or appliance is one that is specifically designed to be free from points to which a cord or cord like object could be attached, tied to or looped around.
ASYMMETRIC DISTRIBUTION	A non-symmetric distribution of light, for example the luminous intensity (light output) may be more pronounced in one direction, this is commonly found on floodlights to allow them to be aimed downwards, keeping unwanted upward light spillage to a minimum.
AZIMUTH	Orientation angle in the horizontal plane, most commonly referred to in floodlighting schemes.
BATHROOM ZONES	There are a number of special requirements for fitting lights in bathrooms and to clarify these requirements, certain Zones have been created. Within each of these Zones only fittings with certain minimum IP ratings can be installed. The basic recommendations are set out below. Bathroom luminaire installations must comply with legislation; please refer to the latest building regulations. *NOTE – THE AREA UNDER THE BATH IS CLASSED AS AN OUTSIDE ZONE PROVIDING THERE IS A BATH PANEL IN SITU WHICH CAN ONLY BE REMOVED WITH AID OF A TOOL. ZONE 0: MINIMUM REQUIREMENT IPX7 Zone 0 is the interior of the bath tub or shower basin. Only Low voltage (SELV) fittings are permitted with the transformer located outside all zones.* *unless transformer is IPX7 too. ZONE 1: MINIMUM REQUIREMENT IPX4 Zone 1 is the area around the bath or shower basin up to a height of 2.25m above floor levels and at a radius of 1.2m from the water outlet. If there is a likelihood of water jets being used for cleaning purposes, then this becomes a minimum requirement of IPX5. ZONE 2: MINIMUM REQUIREMENT IPX4 Zone 2 is limited by the vertical planes external to zone 1 and parallel vertical planes(s) 0.60m external to zone 1. If there is a likelihood of water jets being used for cleaning purposes, then this becomes a minimum requirement of IPX5. For showers without a basin, there is no zone 2 but an increased zone 1. IMPORTANT Protection for all electrical fixtures within the bathroom and shower should be provided by the use of an RCD with a rated residual current not exceeding 30mA and an operating time not exceeding 40ms.



Zone 0 - Minimum IPX7 can be used
 Zone 1 - Minimum IPX4 can be used
 Zone 2 - Minimum IPX4 can be used
 Outside Zone - Minimum IPX2 can be used

BALLAST	The ballast is a device used to operate lamps, while limiting and regulating the lamp current during operation it provides the necessary voltage to the lamp.
BEAM ANGLE	Measurement of how light is distributed.
BINNING (LED)	Binning is the process of methodically sorting and grouping LED's according to measured parameters (normally colour and lumens). Allowing design engineers to systematically specify an LED and the manufacturer to order LED's that function consistently. Binning also makes it possible to re-order LED's that match the original.
BRIGHTNESS	What the eye actually sees, not to be confused with luminance, which is what a light meter reads.

British Standards Institute, the UK National Standards Body - www.bsigroup.com

Key Standards applicable include
BS 476 part 21 Fire test for building Materials
 BS 5225 Photometric Data for Luminaires
 BS 5266 Code of practice for Emergency Lighting
 BS7671 Requirements for Electrical Installations (Wiring Regulations)
BS EN 60570 Track systems for Luminaires
 BS EN 60598-1 Luminaires - General requirements and tests
BS EN 60598-2-2 Luminaires – Specific requirements, Recessed Luminaires
BS EN 60598-2-5 Luminaires – Specific requirements, Floodlights
BS EN 60598-2-6 Luminaires – Specific requirements, In-built Transformers
BS EN 60598-2-22 Luminaires – Specific requirements, Emergency Lighting
 BS EN 61047 Electronic Transformers

BSI	Legal requirements for the installer to abide by when installing equipment into a building. There are standards for Domestic and Non-Domestic premises and there are variations in the different countries of the UK. With specific regards to Lighting; Part L covers the requirements for lighting a building with specific sections covering commercial and domestic applications. Another set of useful documents to aid in compliance to these regulations are the Domestic and Commercial Building Compliance guides.
BUILDING REGULATIONS	
CANDELA (CD)	The candela is the SI base unit for luminous intensity, used to measure the brightness of light sources.
CAPACITOR	Often used for power factor correction and lamp regulation, a capacitor is a component that stores electrical energy.
CCT	Correlated Colour Temperature defines the colour appearance of a white LED. CCT is defined in Kelvin.
CE	European Community conformity mark. CE denotes that the item conforms with the requirements of relevant EU Directives.
CIBSE	The Chartered Institute of Building Service Engineers. www.cibse.org. The Society of Light and Lighting (a division of CIBSE), publishes many Lighting Guides widely used as references for the choice of luminaire and recommended Illuminance level most suitable for a specific area.
CLASS I	 Luminaires in this class are electrically insulated and are provided with a connection with earth.
CLASS II	 Luminaires in this class are designed and constructed so that protection against electric shock does not rely on basic insulation only. This can be achieved by means of reinforced or double insulation. No provision for Earthing is provided.
CLASS III	 Protection against electric shock relies on the supply of Safety Extra Low Voltage (SELV) and in which voltages higher than those of SELV are not generated (Max.50V AC or below).
COLOUR RENDERING INDEX (CRI / CIE RA)	The ability of a light source to accurately reveal the colours of an object(s) is measured using a system called the colour rendering index (CRI). It is given as an integer up to 100; the higher the number the better. 100 being considered as presenting colours in a manner consistent with a natural light source such as daylight. Halogen lamps typically have a CRI of 100 as they closely mimic daylight.
CCT - CORRELATED COLOUR TEMPERATURE	Typically shortened to "Colour Temperature" measures the apparent colour of a white light source in Kelvin (K). Typically in lighting, values range between 2700K - 6500K. Although it might seem counter-intuitive; lower figures denote "warmer" colour temperatures and higher figures denote "cooler" colour temperatures. Ovia® defines Warm White as 2700K-3000K, Cool White as 4000K & Daylight as 6500K. Certain products in the Ovia® range feature a switch for altering the colour temperature (CCT) of the product. This feature allows the installer to select the colour temperature of the product to suit different installation requirements. Where this feature exists on a product you will see this term.
CORRIDOR FUNCTION	Corridor Function is a setting for operation with a MS/PIR which allows the light output to be reduced to approx 10/15% when an area is left unoccupied and increases to full output when the MS/PIR is activated
CONTINUED PROFESSIONAL DEVELOPMENT 'CPD'	Ovia® has several training courses that are CPD Certified to complement the Continuing Professional Development policies of professional institutes and academic bodies.
DATA SHEETS	Available for Ovia® products to enable Operation and Maintenance manuals to be completed.
(DC) DIRECT CURRENT	As opposed to AC; DC current flows in a single direction. Current and voltage may increase & decrease but the direction of movement of electrons stays the same. LED's inherently must run on a DC supply hence a transformer of some kind is always required.
DIMMERS & DIMMING	The process of decreasing and increasing the level of light output by a luminaire or light source. Most luminaires that are required to be dimmed will need a special control gear for this operation and typically additional circuit wiring. Each dimming method, whether mains, switch-dim or 1-10V dimming require different, specific control gear.
DIMMING LEADING EDGE (TRIAC DIMMER)	In Mains dimming, leading-edge dimmers cut the first half of the wave to restrict the flow of current. These dimmers typically have a high minimum load and were originally used to dim incandescent and halogen lamps. As such, issues with dimming LED using these types of dimmers can be common.
DIMMING MAINS	The process of manipulating mains voltage to variably restrict the flow of electricity in order to decrease or increase light levels, respectively.

DIMMING SWITCH DIM

Operation for ON / OFF and dimming by means of a push-to make (retractive) switch, and is the simplest form of dimming. A brief operation of the switch (<0.6sec), will switch ON or OFF. When the push to make switch is held, the ballast is dimmed. On a further push, the ballast is dimmed in the opposite direction.

DIMMING TRAILING EDGE

Conversely to leading-edge dimmers, trailing-edge dimmers restrict current by cutting the second half of the wave. They generally have a much lower minimum load and are typically better-suited to LED loads.

DIMMING 1-10V

1-10V dimming (similarly 0-10V dimming) is achieved with a control gear which features a separate and specific dimming control connection to which a 1-10V dimmer can be connected. This method generally requires the use of a separate switch in order to fully turn off the luminaire.

DALI DRIVER - WIRING INSTRUCTIONS

- The driver output is pre-wired with a female DC connector which enables direct connection to the Ovia® LED panels.
- The DALI control line voltage range is 9.5V to 22.5V with the cable distance being dependent on the cable size used, see Table A below.
- Up to 64 drivers can be connected to one DALI control line.
- The two DALI control lines are polarity reversible.

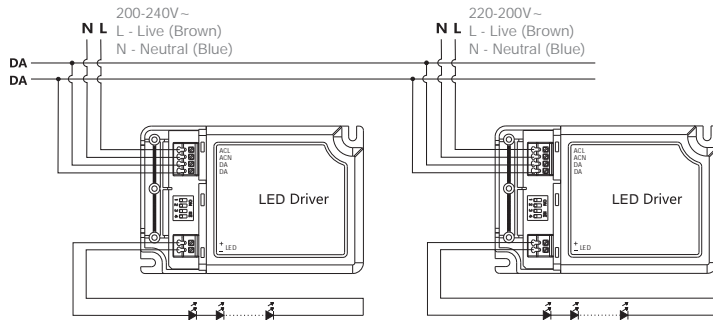
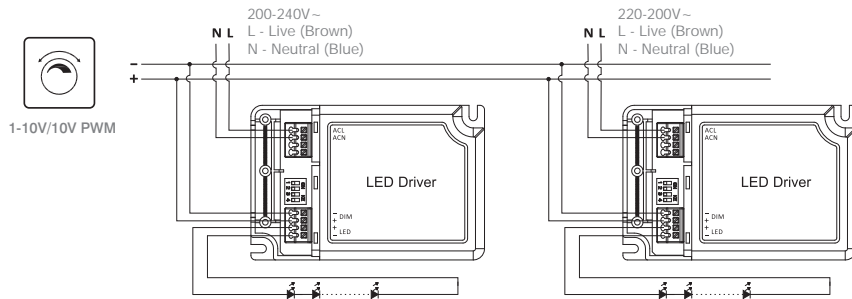


TABLE A

2 x 0.50mm ²	100M Max.
2 x 0.75mm ²	150M Max.
2 x 1.00mm ²	200M Max.
2 x 1.50mm ²	300M Max.

DALI DRIVER - WIRING INSTRUCTIONS (1-10V/10V PWM)

- The number of drives and the length of wire connections are determined by the following factors:
a.) Current output capacity of the dimmer. b) The interface of the driver consumes current, this product is less than 1mA. c.) The size of the connection wire, and is recommended to use less than 0.75mm². d.) Install environment interference, avoid wiring with high voltage or interference source.
- It is recommended to use a dimmer with active, isolated and strong output current capacity. This product cannot use a non-isolation dimmer.
- Synchronisation up to 16 drivers.
- Maximum cable length between each unit: 20 meters.



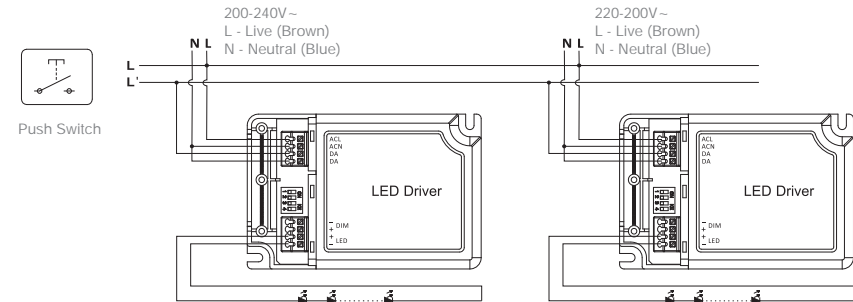
1-10V/10V PWM

- Turning On or Off: press the PUSH switch for 0.2-1s (Short Press)
- Dimming: press and hold the PUSH switch for 1-5s (Long Press)
- Power On Status: after power On, the light will light up the memory brightness it was last previously set (not Off status)

DALI DRIVER - WIRING INSTRUCTIONS (SWITCH/PUSH DIMMING)

Multiple Lights Synchronise Control Operation

- Step 1: long press the PUSH switch, confirm each light is on.
- Step 2: short press the PUSH switch, confirm each light is off.
- Step 3: long press the PUSH switch, confirm each light is from darkest to brightest and all the lights are synchronous.



DIRECT LIGHTING

Lighting in which the greater part of the luminous flux from the luminaires reaches the surface (usually the working plane) directly, i.e. without reflection from surrounding surfaces.

DIRECTIONAL LIGHTING

Lighting a display object predominately from one direction.

DLOR

Downward Light Output Ratio is the ratio of the total light output of a luminaire below the horizontal.

DOUBLE INSULATION

Also referred to as Class II, double Insulation comprises both basic insulation and supplementary insulation.

EDGE LIT

This means that the LED chips are positioned vertically around the perimeter of the product. Providing an excellent uniform illuminated panel in a fixture as slim as 8mm.

EFFICIENCY

Ratio of power supplied to wattage dissipated.

EFFICACY

A metric term used to compare light output to energy consumption. Luminous Efficacy is measured in lumens per watt.

EMC

Electromagnetic Compatibility. Electrical items produce unintentional interference so EMC ensures these levels are within the required guidelines and should not cause unwanted interference with other equipment.

EMERGENCY LIGHTING

Lighting provided for use in emergency situations when the main lighting installation fails, enabling safe exit from a building.

EMERGENCY LIGHTING TEST

Testing an Emergency Lighting Installation should undergo regular periodic testing to ensure the luminaires are correctly functioning and to maintain the condition of the batteries. The testing should be recorded in a log book and follow this schedule...

- Daily – visual check that the charge indicator LED is illuminated
- Monthly – a functional test that the luminaire operates when mains supply is disconnected
- Annually – as monthly test but for the full rated duration of the luminaire (3hrs).

ENERGY LABEL

Lighting products, as well as other electrical appliances, come with energy labels and information printed on the product. The rating system ranges from A++ (the most efficient) to E (the least efficient).

ESCAPE ROUTE LIGHTING

Emergency lighting is illuminated in the instance of a mains lighting failure, provided on a defined route to ensure means of escape from a designated point in a building to the exit.

FIRE-RATED

In Lighting, a Fire-Rated luminaire is one which has been specifically designed to uphold the fire-rating of the surface it is installed into. Generally of recessed type such as a downlight, these luminaires are designed to restrict the passage of flames and hot air through a perforation in the ceiling. Fire-Ratings of downlights are acquired & stated in increments of 30 minutes. A fire-rated luminaire should be chosen to be in-line with that of the installation surface itself.

FLICKER

Light modulation at lower frequencies (about 50 Hz or less) which is visible to most people, is called flicker. The eye is particularly sensitive to flicker and it is especially detectable at the edges of the visual system's field of view. Flicker can, depending on individual sensitivity, be a source of both discomfort and fatigue. It may even cause epileptic seizures in some people. Therefore it needs to be avoided.

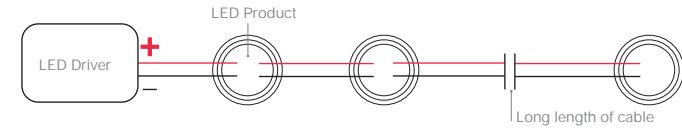
FLOW™	Flow™ Connectors make wiring a lighting circuit easy. Quick and easy to install as well as to remove and replace for the purpose of circuit testing.																																
FLUX	In Lighting: Flux or Luminous Flux, measured in lumens, is the amount of light produced by a light source or received by a surface.																																
FREQUENCY (HZ)	In lighting and electrics; the rate of alternation in an AC current, expressed in cycles per second or hertz (Hz).																																
GENERAL LIGHTING	Lighting that is designed to illuminate the whole of an area uniformly without provision for special local requirements.																																
GLARE	Refers to the unwanted dazzling effect of bright light. The severity of glare can be anywhere from causing discomfort to the inability to perform tasks. Some luminaires include opal diffusers or reflectors to provide an anti-glare function.																																
HAZARDOUS AREA	An environment where a risk of fire or explosion exists. Commonly referred to as Zone 1, Zone 2 etc. (Not to be confused with the Zones of space in bathroom areas).																																
HERTZ (HZ)	Cycles (frequency) per second.																																
HIGH RISK TASK AREA	A requirement within Emergency Escape Lighting, ensuring the safety of people involved in a potentially dangerous process or situation and to enable proper shut down procedures for the safety of the operator and all occupants of the premises.																																
HIGH POWER LED	An LED that is driven at a current of 350mA or higher.																																
ILLUMINANCE	This can be calculated or measured with a light meter, illuminance is a photometric term that quantifies the light on a surface or plane, it is expressed in lumens per m ² (lux).																																
ILLUMINATION	The density of luminous flux on a surface, this parameter shows how bright the surface point appears to the human eye.																																
INDIRECT LIGHTING	Some luminaires by their design offer indirect lighting, it is a system where light is reflected from a primary surface, before reaching the working/task plane.																																
IP RATINGS CLASSIFICATION OF INGRESS PROTECTION	<p>IP followed by two numerals indicates the degree of protection. The first numeral indicates the degree of protection against the ingress of solid objects, while the second numeral refers to the degree of protection against the ingress of water.</p> <table border="1"> <thead> <tr> <th>Protection Against Solid Objects</th> <th>Protection Against Ingress of Water</th> </tr> </thead> <tbody> <tr> <td>IP20 Greater than 12mm</td> <td>Non-protected</td> </tr> <tr> <td>IP21 Greater than 12mm</td> <td>Dripping water</td> </tr> <tr> <td>IP22 Greater than 12mm</td> <td>Dripping water (up to 15° angle)</td> </tr> <tr> <td>IP23 Greater than 12mm</td> <td>Spraying water (up to 60° angle)</td> </tr> <tr> <td>IP40 Greater than 1mm</td> <td>Non-protected</td> </tr> <tr> <td>IP43 Greater than 1mm</td> <td>Spraying water (up to 60° angle)</td> </tr> <tr> <td>IP44 Greater than 1mm</td> <td>Splashing water</td> </tr> <tr> <td>IP54 Dust-protected</td> <td>Splashing water</td> </tr> <tr> <td>IP55 Dust-protected</td> <td>Water jets</td> </tr> <tr> <td>IP64 Dust-tight</td> <td>Splashing water</td> </tr> <tr> <td>IP65 Dust-tight</td> <td>Water jets</td> </tr> <tr> <td>IP66 Dust-tight</td> <td>Powerful water jets</td> </tr> <tr> <td>IP67 Dust-tight</td> <td>Water immersion</td> </tr> <tr> <td>IP68 Dust-tight</td> <td>Submersion to declared depth</td> </tr> <tr> <td>IP69 Dust-tight</td> <td>Powerful high temperature water jets</td> </tr> </tbody> </table>	Protection Against Solid Objects	Protection Against Ingress of Water	IP20 Greater than 12mm	Non-protected	IP21 Greater than 12mm	Dripping water	IP22 Greater than 12mm	Dripping water (up to 15° angle)	IP23 Greater than 12mm	Spraying water (up to 60° angle)	IP40 Greater than 1mm	Non-protected	IP43 Greater than 1mm	Spraying water (up to 60° angle)	IP44 Greater than 1mm	Splashing water	IP54 Dust-protected	Splashing water	IP55 Dust-protected	Water jets	IP64 Dust-tight	Splashing water	IP65 Dust-tight	Water jets	IP66 Dust-tight	Powerful water jets	IP67 Dust-tight	Water immersion	IP68 Dust-tight	Submersion to declared depth	IP69 Dust-tight	Powerful high temperature water jets
Protection Against Solid Objects	Protection Against Ingress of Water																																
IP20 Greater than 12mm	Non-protected																																
IP21 Greater than 12mm	Dripping water																																
IP22 Greater than 12mm	Dripping water (up to 15° angle)																																
IP23 Greater than 12mm	Spraying water (up to 60° angle)																																
IP40 Greater than 1mm	Non-protected																																
IP43 Greater than 1mm	Spraying water (up to 60° angle)																																
IP44 Greater than 1mm	Splashing water																																
IP54 Dust-protected	Splashing water																																
IP55 Dust-protected	Water jets																																
IP64 Dust-tight	Splashing water																																
IP65 Dust-tight	Water jets																																
IP66 Dust-tight	Powerful water jets																																
IP67 Dust-tight	Water immersion																																
IP68 Dust-tight	Submersion to declared depth																																
IP69 Dust-tight	Powerful high temperature water jets																																
INITIAL LUMENS	Lumen output of a light source once it has stabilised but before it begins to depreciate. For LED's this begins at around 100 hours of operation from manufacture.																																
INPUT VOLTAGE	Voltage provided to a ballast/luminaire by the power supply.																																
INRUSH CURRENT	A typically very high but short-lived current produced when initially activating an electric circuit.																																
ISOLUX DIAGRAM	A diagram showing contours of equal illuminance. Can be used to determine the direct illuminance on a plane.																																
KELVIN	The SI unit for the measurement of temperature. In Lighting it is used to describe the colour temperature (CCT) of a light source.																																
KWH	The kilowatt-hour (symbolised kWh) is a unit of energy equivalent to one kilowatt of power expended for one hour of time. This figure is required to complete energy comparison calculations.																																
LAMP	A device which converts electrical energy into light.																																
LED	Light-emitting Diode. An LED is a solid-state semiconductor device that converts electrical energy directly into light.																																

LED DRIVER / CONVERTER

A device that accepts an input voltage and current and translates/transforms it to a different predetermined and controlled voltage and current. The resulting output then used to power or "drive" an LED circuit.

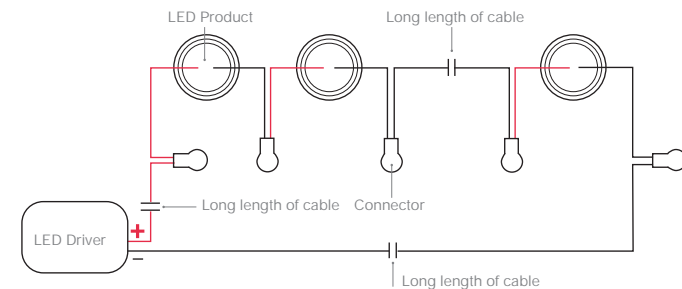
LED PARALLEL WIRING

Parallel wiring means that each component has the same supply voltage and all fittings on the circuit will have the same voltage across the luminaire terminals. The battery current (Amps) is divided by the number of luminaires on the circuit. If one luminaire fails then the remaining fittings on that circuit will stay lit.



LED SERIES WIRING

Series wiring means that each component has the same current and the battery voltage is divided by the number of luminaires on the circuit. If one luminaire fails then the remaining fittings on that circuit will not stay lit. Please note that incorrect wiring of an LED can result in irreparable damage to the LED and associated power supplies.



LED WHITE

Previously, the only way to produce white LED light was by the additive colour mixing of the three basic colours using so-called multi LED, i.e., three semiconductor chips (red, green and blue LED) had to be combined. Today, manufacturers can produce white LED light with only a single chip. In luminescence conversion, only a blue LED is used, whose light stimulates a luminescent substance that emits yellow light, the system produces the colour white. Depending on the composition of the luminescent substance, various white tones can be achieved such as warm white, cool white etc.

LIA



Ovia® Lighting is an accredited member of this leading UK trade organisation. All Ovia® manufacturing facilities are audited on an annual basis to ensure compliance and quality. www.thelia.org.uk

LIGHTING DESIGN

Ovia® offer a lighting design service provided by a team of vastly experienced and industry qualified staff. A simple to complete form is available to ensure designs are prepared with all of the correct criteria taken into consideration. Contact us for more information.

LIGHT METER

Lux meter or exposure meter. A device use for the measurement of light intensity. This should have a cosine corrected sensor, usually a convex shape, to measure light falling on to it from all directions and a digital readout for accuracy.

LIGHT SPILLAGE/TRESPASS

Unwanted or nuisance light which is spilled beyond the boundary of the illuminated property or area.

LM/W

Lm/W (Lumens per Watt) is the measurement of the effectiveness of a lighting system to convert power to light. Also known as the "Efficacy" of the system. There are two key elements to Efficacy; Lumens per watt (generally pertaining to the efficacy of a lamp or light source) and Luminaire Lumens per watt (the efficacy of the whole luminaire). The difference between the two terms occurs where a lamp or light source may differ once it is housed in a luminaire. For example if a 100W lamp outputs 2000Lm it has an efficacy of 20Lm/W. However if that lamp was housed in a luminaire which restricted the output of that lamp to 1000Lm (effectively giving it an LOR of 0.5) the Luminaire lumens per watt becomes 10Lm/W. In calculations, particularly in reference to Part-L calculations, the term may be written as Lumens per circuit watt or Luminaire lumens per circuit watt.

LOR

Light Output Ratio. The ratio of the total light output of a luminaire under stated conditions to that of the lamp or lamps under reference conditions. The higher the figure, the more efficient the luminaire is. LOR may consist of any ratio of DLOR and/or ULOR.

LUMEN

Standard unit of luminous flux. Describes the quantity of light emitted by a light source or received by a surface.

LUMEN DEPRECIATION

Figures published refer to the L50, L70 or L80 classification system where the number relates to the percentage of light output. So a 30,000hr L70 LED would be expected to have 70% of its rated output at 30,000hrs.

LUMINANCE	The physical measure of brightness measured by the luminous intensity of the light emitted or reflected in a given direction from a surface element divided by the area of the element in the same direction. The SI unit of luminance is the candela per square metre (Cd/m ²) It is very difficult to determine other than with a luminance meter.
LUMINOUS EFFICIENCY	The ratio of the luminous flux emitted by a lamp to the power consumed by the lamp. When the power consumed by the control gear is taken into account this term is sometimes known as lamp circuit luminous efficacy and is expressed in lumens/circuit watts.
LUX	The metric unit of measure for illuminance of a surface. One lux is equal to one lumen per metre-squared.
LVD	Low Voltage Directive ensures that electrical equipment within certain voltage limits provides a high level of protection for European citizens, and benefits fully from the Single Market.
MAINTAINED LUMINAIRE	A luminaire containing one or more lamps all of which operate from the normal supply or from the emergency supply when required.
MFD	3 in 1 Multi-function Dimmable constant current LED driver that can be incorporated into a 1-10V, Switch Dim or DALI control system. It also has universal load settings so that a single driver will be compatible with a range of fittings.
MICROWAVE SENSOR (MS)	Microwave Sensor (MS) Sophisticated presence detector that uses low power Microwave signals which are then reflected by moving persons and measured using the "Doppler effect" method. Special consideration should be given to using microwave sensor outdoors.
3EM	Maintained 3 hour, Mode and duration (minimum with fully charged batteries) of an Emergency luminaire. To ensure the full duration is achieved, Emergency luminaires must be correctly maintained to condition the batteries.
NIGHT LIGHT (NL)	A light source used only to provide low levels of illumination at night, for security or safe movement of persons. This may either be a standalone luminaire or an option incorporated within a luminaire used for general lighting. Low wattage compact fluorescent lamps are ideal for this application.
NICD	The nickel-cadmium battery (NiCd battery or NiCad battery) is a type of rechargeable battery using nickel oxide hydroxide and metallic cadmium as electrodes. The abbreviation Ni-Cd is derived from the chemical symbols of nickel (Ni) and cadmium (Cd).
NIMH LITHIUM	A nickel-metal hydride battery, abbreviated NiMH or Ni-MH, is a type of rechargeable battery. Its chemical reactions are somewhat similar to the largely obsolete nickel-cadmium cell (NiCd). NiMH use positive electrodes of nickel oxyhydroxide (NiOOH), like the NiCd, but the negative electrodes use a hydrogen-absorbing alloy instead of cadmium, being in essence a practical application of nickel-hydrogen battery chemistry. A NiMH battery can have two to three times the capacity of an equivalent size NiCd, and their energy density approaches that of a lithium-ion cell.
NON-MAINTAINED LUMINAIRE	Luminaire is off when the mains power is available to charge the batteries. Upon supply failure the luminaire is energised from the battery pack.
OPEN (ANTI-PANIC) AREA LIGHTING	A part of Emergency Escape Lighting provided to avoid panic and provides illumination-allowing people to reach a place where an escape route can be identified.
OPERATING FREQUENCY (HZ)	Refers to the frequency at which the output of a lamp or LED source operates per second. Measured in Hertz (Hz), Electronic or high frequency control gear will increase the operating frequency into an operating frequency that the human eye cannot detect.
PIR	Passive Infrared (Detectors) are a type of occupancy sensor. PIR's switch upon detection of heat / movement in the surrounding environment. The PIR's are suitable for LED lamps / luminaires. LED lamps / luminaires can be switched at any frequency but provision must be taken for the in-rush current of the LED control gear. HF compact fluorescent luminaires should not be controlled by PIR's unless they have a minimum switching cycle of 20 minutes.
PHOTOCELL	A light-sensing device used to control luminaires and dimmers in response to detected light levels.
PHASE CUT OFF / RESISTIVE DIMMERS	Devices used to vary the brightness of a light. By decreasing or increasing the RMS voltage Resistive Dimmers and, hence, the mean power to the lamp, it is possible to vary the intensity of the light output. Although variable-voltage devices are used for various purposes, the term dimmer is generally reserved for those intended to control light output from resistive incandescent, halogen, and (more recently) compact fluorescent lights (CFLs) and light-emitting diodes (LEDs). More specialised equipment is needed to dim fluorescent, mercury vapour, solid state and other arc lighting.
PHOTOMETRICS	Photometrics is a term that expresses the result of scientifically tested Ovia® Lighting products to produce information that can be used in lighting design packages such as Relux. Please visit our website for more information.
RA	See Colour Rendering Index.
REACH	Registration, Evaluation, Authorisation & restriction of Chemicals. Directive 1907/2006/EU covers the use of hazardous chemicals used in the manufacturing process and supply of products.
RED	Radio Equipment Directive (RED) 2014/53/EU. The Radio Equipment Directive (RED) was published in the Official Journal of the European Union on 22nd May 2014.
RELUX	The Ovia® Lighting design department utilises Relux as the standard lighting design package and visual presentation tool. The extensive Ovia lighting directory of products and all its photometric data is embedded in Relux and can be accessed free of charge. IES or LDT files for each Ovia® product are also downloadable from oviaUK.com or ovia.ie .

ROHS	 Restriction of Hazardous Substances (2011/65/EU) is an evolution of the original directive (2002/95/EC) maintaining consistency across all European member states. Effective as of January 2013 to restrict additional hazardous substances in products, preventing damage to the environment. Directive 2015/863 has recently been added with four additional phthalates.
SELF-CONTAINED	The most common type of Emergency lighting luminaire, where all of the components are within one luminaire. This can include gear boxes connected directly to individual luminaires but outside the main luminaire housing.
SELF TEST EMERGENCY	The Self-Test circuit utilises an accurate internal clock which is programmed to interrupt the permanent mains supply at set intervals thus initiating emergency lighting tests. The Self Test units are supplied pre-programmed to initiate short duration tests once every month and a full duration test once every 12 months (as recommended in BS5266 and EN50172).
SELV	Safety Extra Low Voltage or Separated. An extra-low voltage system, which is electrically separated from Earth and from other systems in such a way that a single fault cannot give rise to the risk of electric shock.
STROBOSCOPIC EFFECT	Lamps that operate from an alternating electrical supply may produce oscillations in light output. When the magnitude of these oscillations is great, machinery will appear to be stationary or moving in a different manner. This is called the stroboscopic effect. It is not commonly seen in modern lighting systems, but where it does occur it can be dangerous; so appropriate action should be taken to avoid it.
SYMMETRICAL DISTRIBUTION	Symmetric distribution of light. In many cases, the luminous intensity (light output) is distributed exactly the same either side of the lighting plane. Commonly found on floodlights, downlights and projectors.
TASK LIGHTING	Localised lighting intended for a specific task, examples include bed head reading lights, desk lamps and inspection bench lighting.
TC°	Rated value of the equipment's maximum operating temperature. Typically marked on control gear components.
THERMAL CUT-OUT	A protection from overheating due to abnormal lamp conditions (rectifier effect, short circuit or overload), with automatic restart after cooling. If a lamp is in a cycle of, runs for a duration, turns off, then restarts and runs for the duration again, it is likely that a thermal cut-out is operating.
THERMAL PERFORMANCE	This term refers to the design / thermal management of a luminaire.
TP(A), TP(B)	The Building Regulations Approved Document B2 (buildings other than dwelling houses) places restrictions on the use of certain thermoplastic materials when they are used as lighting diffusers and form part of a ceiling. TP(a) rated materials may be used almost without restriction, restrictions exist on the use of TP(b) rated materials.
TRANSFORMER	A device by which the voltage of alternating current is changed. Traditional transformers are constructed by copper wire wound around an iron core. Electronic transformers are also commonly found. Typically used for supplying low voltage lamps, most transformers can be dimmed. The success of dimming depends on many factors including the type of dimmer and transformer used. We recommend that the dimmer supplier is consulted for compatibility.
UKCA	UK Conformity Assessed marking is a certification mark that indicates conformity with the applicable requirements for products sold within Great Britain.
ULOR	Upward Light Output Ratio. The ratio of the total light output of a luminaire above the horizontal.
(UGR) UNIFIED GLARE RATING	Unified Glare Rating is a calculated value for the amount of glare or discomfort produced by a luminaire; its value ranges from 10 to 30, the higher the value the more perceptible the glare effect.
UTILISATION FACTOR	The proportion of the luminous flux emitted by a light source, which reaches the working plane.
UV	Ultra Violet is invisible radiation that is shorter in wavelength and higher in frequency than visible violet light (literally beyond the violet light). Lamps that emit varying degrees of long wave ultraviolet light, which does cause harm or degradation overtime, may require filters to absorb the UV. A 'failed' lamp that does not emit any visible light is still capable of emitting high levels of UV light but is not noticed as the lack of visible light gives the impression that the lamp is not operating. The high levels of UV can then cause damage to materials, particularly plastics, with dis-colouration and crumbling of the material. Therefore failed lamps should always be replaced immediately. Ultraviolet light source can be used to create special lighting effects with fluorescent materials. UV sources can be incandescent, fluorescent, or preferably HID lamps.
VOLTAGE	The electric potential which exists between two components in an electrical circuit. Lamps are rated in terms of wattage at a specific voltage. Operating a lamp at another voltage from that which it is rated may cause the lamp to burn at less than full intensity or to burn out very quickly.
WATT (W)	The unit for measuring electrical power. It defines the rate of energy consumption by an electrical device when it is in operation. The energy cost of operating an electrical device is calculated as its wattage times the hours of use. In single phase circuits, it is related to volts and amps by the formula: Volts x Amps x Power Factor = Watts. (Note: For AC circuits, Power Factor must be included).
WEEE	Compliance with the Waste Electrical and Electronic Equipment Directive. This covers the collection, treatment and recycling of equipment at end of life. When supplied as B2B EEE the producer invokes regulation 12.2 and passes all WEEE obligations to the end user.
ZENITH	The direction directly above the luminaire (180° angle). Term used in floodlighting designs.

TECHNICAL SUMMARY

TECHNICAL SUMMARY

SEARCH BY PRODUCT NAME HERE...

Table with columns: NAME, PAGE, NAME, PAGE, NAME, PAGE. Lists various product models like ADORNA, ALUPANEL, AVORI, etc., with their respective page numbers.

SEARCH BY SKU HERE...

Table with columns: SKU, PAGE, KG, SKU, PAGE, KG, SKU, PAGE, KG. Lists various SKUs like CT1008, CT1016, CT101C, etc., with their page numbers and weights.

SKU PAGE KG

Table with columns: SKU, PAGE, KG. Lists various SKUs like OV10150WHCW, OV10150WHCWPIR, etc., with their page numbers and weights.

SKU PAGE KG

Table with columns: SKU, PAGE, KG. Lists various SKUs like OV2022C6GY, OV2022W6BK, etc., with their page numbers and weights.

SKU PAGE KG

Table with columns: SKU, PAGE, KG. Lists various SKUs like OV6112WW, OV6118CW, etc., with their page numbers and weights.

INDEX

INDEX

SKU	PAGE	KG	SKU	PAGE	KG
OV80181DA	273	2.33	OV82150MW	240	1.7
OV80181EM	272	2.68	OV82150MWCF	240	1.7
OV80181EMDA	273	2.68	OV82150MWEM	241	1.95
OV80181EMSD	273	2.68	OV82150MWEMCF	241	1.95
OV80181MW	272	2.36	OV82150SD	242	1.6
OV80181MWCF	272	2.36	OV82180	244	1.9
OV80181MWEM	272	2.73	OV82180DA	246	1.9
OV80181MWEMCF	272	2.73	OV82180EM	245	2.15
OV80181SD	273	2.33	OV82180EMDA	247	2.15
OV80182	274	2.38	OV82180EMSD	247	2.15
OV80182DA	275	2.383	OV82180MW	244	2
OV80182EM	274	2.72	OV82180MWCF	244	2
OV80182EMDA	275	2.72	OV82180MWEM	245	2.2
OV80182EMSD	275	2.72	OV82180MWEMCF	245	2.2
OV80182MW	274	2.42	OV82180SD	246	1.9
OV80182MWCF	274	2.42	OV841217CTA	204	2.75
OV80182MWEM	274	2.79	OV841217CTADA	206	2.54
OV80182MWEMCF	274	2.79	OV841217CTASD	206	2.54
OV80182SD	275	2.383	OV841217DEMCTADA	207	2.83
OV81121	250	1.35	OV841217EMCTA	205	2.95
OV81121DA	251	1.35	OV841217EMCTADA	207	2.71
OV81121EM	250	1.65	OV841217EMCTASD	207	2.71
OV81121EMDA	251	1.65	OV841217MWCTA	204	2.75
OV81121EMSD	251	1.65	OV841217MWCTADA	205	2.95
OV81121MW	250	1.36	OV841232CTA	208	2.75
OV81121MWCF	250	1.36	OV841232CTADA	210	2.55
OV81121MWEM	250	1.7	OV841232CTASD	210	2.55
OV81121MWEMCF	250	1.7	OV841232DEMCTADA	211	2.95
OV81121SD	251	1.35	OV841232EMCTA	209	2.95
OV81122	252	1.378	OV841232EMCTADA	211	2.83
OV81122DA	251	1.378	OV841232EMCTASD	211	2.83
OV81122EM	252	1.7	OV841232MWCTA	208	2.75
OV81122EMDA	253	1.7	OV841232MWEMCTA	209	2.95
OV81122EMSD	253	1.7	OV841252CTA	212	3.1
OV81122MW	252	1.42	OV841252CTADA	214	3.4
OV81122MWCF	252	1.42	OV841252CTASD	214	3.4
OV81122MWEM	252	1.75	OV841252DEMCTADA	215	3.31
OV81122MWEMCF	252	1.75	OV841252EMCTA	213	3.4
OV81122SD	253	1.78	OV841252EMCTADA	215	3.55
OV81151	254	1.7	OV841252EMCTASD	215	3.31
OV81151DA	255	1.7	OV841252MWCTA	212	3.1
OV81151EM	254	2.05	OV841252MWCTADA	213	3.4
OV81151EMDA	255	2.05	OV841252MWEMCTA	216	3.18
OV81151EMSD	255	2.05	OV841550CTA	218	3.4
OV81151MW	254	1.756	OV841550CTADA	218	3.18
OV81151MWCF	254	1.756	OV841550CTASD	218	3.18
OV81151MWEM	254	2.05	OV841550DEMCTADA	219	3.31
OV81151MWEMCF	254	2.05	OV841550EMCTA	217	3.5
OV81151SD	255	1.7	OV841550EMCTADA	219	3.55
OV81152	256	1.728	OV841550EMCTASD	219	3.37
OV81152DA	257	1.728	OV841550MWCTA	216	3.2
OV81152EM	256	2.05	OV841550MWCTADA	217	3.5
OV81152EMDA	257	2.05	OV841560CTA	220	3.5
OV81152EMSD	257	2.05	OV841560CTADA	222	3.38
OV81152MW	257	1.777	OV841560CTASD	222	3.38
OV81152MWCF	256	1.777	OV841560DEMCTADA	223	3.31
OV81152MWEM	256	2.05	OV841560EMCTA	223	3.49
OV81152MWEMCF	256	2.05	OV841560EMCTASD	223	3.49
OV81152SD	257	1.728	OV841560MWCTA	220	3.5
OV81181	258	2.094	OV841560MWEMCTA	221	3.65
OV81181DA	259	2.094	OV9001BK	163	2.61
OV81181EM	258	2.45	OV9001WH	163	2.61
OV81181EMDA	259	2.45	OV9002BK	163	2.74
OV81181EMSD	259	2.45	OV9002WH	163	2.74
OV81181MW	258	2.15	OV9003BK	163	2.71
OV81181MWCF	258	2.15	OV9003WH	163	2.71
OV81181MWEM	258	2.5	OV9110010	186	0.74
OV81181MWEMCF	258	2.5	OV9110010EM	187	0.85
OV81181SD	259	2.094	OV9110010EMST	187	0.85
OV81182	260	2.1	OV9110010MW	186	0.8
OV81182DA	261	2.1	OV9110010MWEM	187	0.92
OV81182EM	260	2.45	OV9110010MWEMST	187	0.92
OV81182EMDA	261	2.45	OV9110016	188	0.81
OV81182EMSD	261	2.45	OV9110016EM	189	0.87
OV81182MW	260	2.15	OV9110016EMST	189	0.87
OV81182MWCF	260	2.15	OV9110016MW	188	0.84
OV81182MWEM	260	2.45	OV9110016MWEM	189	0.95
OV81182MWEMCF	260	2.45	OV9110016MWEMST	189	0.95
OV81182SD	261	2.1	OV9300BK12	168	0.82
OV82120	236	1.2	OV9300BK12EM	169	0.95
OV82120DA	238	1.2	OV9300BK12EMPC	171	0.95
OV82120EM	237	1.5	OV9300BK12EMST	169	0.91
OV82120EMDA	239	1.5	OV9300BK12MW	168	0.88
OV82120EMSD	239	1.5	OV9300BK12MWEM	169	1.1
OV82120MW	236	1.3	OV9300BK12MWEMPC	171	1.1
OV82120MWCF	236	1.3	OV9300BK12MWEMST	169	0.97
OV82120MWEM	237	1.5	OV9300BK12PC	170	0.82
OV82120MWEMCF	237	1.5	OV9300BK16	172	0.82
OV82120SD	238	1.2	OV9300BK16EM	173	0.95
OV82150	240	1.6	OV9300BK16EMPC	175	0.95
OV82150DA	242	1.6	OV9300BK16EMST	173	0.91
OV82150EM	241	1.9	OV9300BK16MW	172	0.88
OV82150EMDA	243	1.9	OV9300BK16MWEM	173	1.1
OV82150EMSD	243	1.9	OV9300BK16MWEMPC	175	1.1

SKU	PAGE	KG	SKU	PAGE	KG
OV82150MW	240	1.7	OV9300BK16MWEMST	173	0.97
OV82150MWCF	240	1.7	OV9300BK16PC	174	0.82
OV82150MWEM	241	1.95	OV9300WH12	168	0.82
OV82150MWEMCF	241	1.95	OV9300WH12EM	169	0.95
OV82150SD	242	1.6	OV9300WH12EMPC	171	0.95
OV82180	244	1.9	OV9300WH12EMST	169	0.91
OV82180DA	246	1.9	OV9300WH12MW	169	0.88
OV82180EM	245	2.15	OV9300WH12MWEM	169	1.1
OV82180EMDA	247	2.15	OV9300WH12MWEMPC	171	1.1
OV82180EMSD	247	2.15	OV9300WH12MWEMST	169	0.97
OV82180MW	244	2	OV9300WH12PC	170	0.82
OV82180MWCF	244	2	OV9300WH16	172	0.82
OV82180MWEM	245	2.2	OV9300WH16EM	173	0.95
OV82180MWEMCF	245	2.2	OV9300WH16EMPC	175	0.95
OV82180SD	246	1.9	OV9300WH16EMST	173	0.91
OV841217CTA	204	2.75	OV9300WH16MW	172	0.88
OV841217CTADA	206	2.54	OV9300WH16MWEM	173	1.1
OV841217CTASD	206	2.54	OV9300WH16MWEMPC	175	1.1
OV841217DEMCTADA	207	2.83	OV9300WH16MWEMST	173	0.97
OV841217EMCTA	205	2.95	OV9300WH16PC	174	0.82
OV841217EMCTADA	207	2.71	OV9500WH9	164	1.41
OV841217EMCTASD	207	2.71	OV9500WH93EM	164	1.48
OV841217MWCTA	204	2.75	OV9500WH93EMST	164	1.48
OV841217MWCTADA	205	2.95	OV9500WH9MS	165	1.78
OV841232CTA	208	2.75	OV9500WH9MS3EM	165	1.83
OV841232CTADA	210	2.55	OV9500WH9MS3EMST	165	1.83
OV841232CTASD	210	2.55	OV9505WH9	166	1.49
OV841232DEMCTADA	211	2.95	OV9505WH93EM	166	1.54
OV841232EMCTA	209	2.95	OV9505WH93EMST	166	1.54
OV841232EMCTADA	211	2.83	OV9505WH9MS	167	1.84
OV841232EMCTASD	211	2.83	OV9505WH9MS3EM	167	1.89
OV841232MWCTA	208	2.75	OV9505WH9MS3EMST	167	1.89
OV841232MWEMCTA	209	2.95	OV9700WH12	179	1
OV841252CTA	212	3.1	OV9700WH12EM	179	1
OV841252CTADA	214	3.4	OV9700WH12EMMW	179	1.06
OV841252CTASD	214	3.4	OV9700WH12EMMWST	179	1.06
OV841252DEMCTADA	215	3.31	OV9700WH12EMST	179	1
OV841252EMCTA	213	3.4	OV9700WH12MW	178	0.99
OV841252EMCTADA	215	3.55	OV9700WH16	180	0.93
OV841252EMCTASD	215	3.31	OV9700WH16EM	181	1
OV841252MWCTA	212	3.1	OV9700WH16EMMW	181	1.06
OV841252MWCTADA	213	3.4	OV9700WH16EMMWST	181	1.06
OV841550CTA	218	3.18	OV9700WH16EMST	181	1
OV841550CTADA	218	3.4	OV9700WH16MW	180	0.99
OV841550CTASD	218	3.18	OV9800WH	182	1.7
OV841550DEMCTADA	219	3.31	OV9800WHDA	184	1.67
OV841550EMCTA	217	3.5	OV9800WHEM	183	1.77
OV841550EMCTADA	219	3.55	OV9800WHEMDA	185	1.79
OV841550EMCTASD	219	3.37	OV9800WHEMDA	183	1.83
OV841550MWCTA	216	3.2	OV9800WHEMST	185	1.79
OV841550MWCTADA	217	3.5	OV9800WHEMST	183	1.77
OV841560CTA	220	3.5	OV9800WHSD	184	1.67
OV841560CTADA	222	3.38	OV9800WHSD	184	1.67
OV841560CTASD	222	3.38	OV8Z4700AB	55	0.0122
OV841560DEMCTADA	223	3.31	OV8Z4700BK	55	0.0122
OV841560EMCTA	223	3.49	OV8Z4700CH	55	0.0122
OV841560EMCTASD	223	3.49	OV8Z4700GY	55	0.0122
OV841560MWCTA	220	3.5	OV8Z4700GS	55	0.0122
OV841560MWEMCTA	221	3.65	OV8Z4700WH	55	0.0122
OV9001BK	163	2.61	OV8Z4705AB	55	0.0168
OV9001WH	163	2.61	OV8Z4705BK	55	0.0168
OV9002BK	163	2.74	OV8Z4705CH	55	0.0168
OV9002WH	163	2.74	OV8Z4705GY	55	0.0168
OV9003BK	163	2.71	OV8Z4705SC	55	0.0168
OV9003WH	163	2.71	OV8Z4705WH	55	0.0168
OV9110010	186	0.74	OV8Z6412BK	317	0.08
OV9110010EM	187	0.85	OV8Z6412CH	317	0.08
OV9110010EMST	187	0.85	OV8Z6412SC	317	0.08
OV9110010MW	186	0.8	OV8Z6418BK	317	0.1
OV9110010MWEM	187	0.92	OV8Z6418CH	317	0.1
OV9110010MWEMST	187	0.92	OV8Z6418SC	317	0.1
OV9110016	188	0.81	OV8Z6424BK	317	0.16
OV9110016EM	189	0.87	OV8Z6424CH	317	0.16
OV9110016EMST	189	0.87	OV8Z6424SC	317	0.16
OV9110016MW	188	0.84	OV8Z646BK	317	0.06
OV9110016MWEM	189	0.95	OV8Z646CH	317	0.06
OV9110016MWEMST	189	0.95	OV8Z646SC	317	0.06
OV9300BK12	168	0.82	OV8ZMB-AB	50	0.0125
OV9300BK12EM	169	0.95	OV8ZMB-B	50	0.0125
OV9300BK12EMPC	171	0.95	OV8ZMB-CH	50	0.0125
OV9300BK12EMST	169	0.91	OV8ZMB-SC	50	0.0125
OV9300BK12MW	168	0.88	OVCG24V100IP67	104	0.56
OV9300BK12MWEM	169	1.1	OVCG24V120IP20	103	0.27
OV9300BK12MWEMPC	171	1.1	OVCG24V150IP67	104	0.61
OV9300BK12MWEMST	169	0.97	OVCG24V200IP67	104	0.7
OV9300BK12PC	170	0.82	OVCG24V250L	102	0.51
OV9300BK16	172	0.82	OVCG24V30IP20	103	0.15
OV9300BK16EM	173	0.95	OVCG24V30IP20L	102	0.18
OV9300BK16EMPC	175	0.95	OVCG24V60IP20	103	0.156
OV9300BK16EMST	173	0.91	OVCG24V60IP20L	102	0.18
OV9300BK16MW	172				



United Kingdom

Scolmore House, Mariner
Lichfield Road Industrial Estate
Tamworth, Staffordshire
B79 7UL

T: +44 (0)1827 300640
E: sales@oviaUK.com

www.oviaUK.com

Ireland

241 Holly Road
Western Industrial Estate
Dublin 12
D12 NW24

T: 01-912 3462
E: sales@ovia.ie

www.ovia.ie

Middle East

Lake Central Tower,
Office 1803, Business Bay,
Dubai, UAE

T: +971 4589 6552
E: sales@scolmoreme.com

www.scolmoreme.com



SCAN TO VIEW OUR
TRADE PRICELIST

OVMAR1000/05

Errors and Omissions excluded. Specification is subject to change without notice.