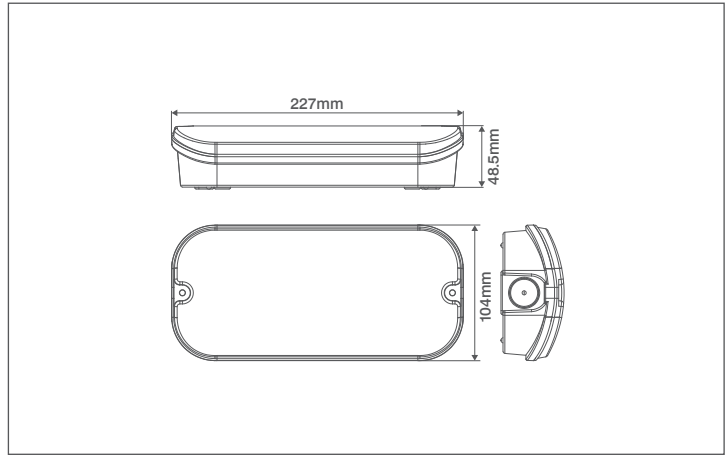


Product Code: OVEM2311

Description: 3W Emergency LED Maintained Hinged Bulkhead - IP65



General Information

Dimensions	215mm (L) x 100mm (H) x 46mm (D)
Materials	Housing: Polycarbonate Diffuser: Polycarbonate
Finish	White
Weight	0.35Kg
Ingress Protection	IP65
Warranty	4 Years

Supply & Power

Input Voltage & Frequency	220-240V~ 50/60Hz
Electrical Safety	Class II (Double Insulated)
Input Power	3W
Operation Mode	Maintained or Non-maintained
Ambient Temperature (Ta)	0°C - +40°C
Critical Temperature	+70°C
Cable Entry	20mm Side Entries

Luminaire Output

Colour Temperature	5500K
LED Lifetime (L70)	30,000 Hours
Beam Angle	110°
Typical Luminous Flux	151lm
Emergency Luminous Flux	107lm

Emergency Information

Emergency Duration	3 hours minimum
Charging Time	24 Hours
Battery Specification	3.6V 900mAh Ni-Cd Battery - Serial

Accessories & Replacement Battery

OVEMB3609NCS	3.6V 900mAh Ni-Cd Battery - Serial
OVEMSP003	Emergency Bulkhead Legends

Escape Route (1 Lux Min.)

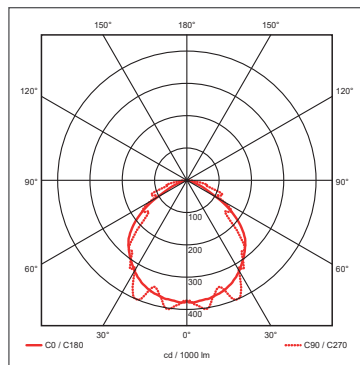
Mounting Height	Axial/Wall	Axial/Axial	Transverse/Axial	Transverse/Transverse	Transverse/Wall
2.0m	2.1	6	6	6	2.1
2.5m	2.3	6.3	6.3	5.6	2.3
3.0m	2.2	6.4	6.3	6.2	2.4

Illuminance values based on a maintenance factor of 0.8
Photometric spacing data 1 Lux (centre to centre in metres on emergency escape routes)

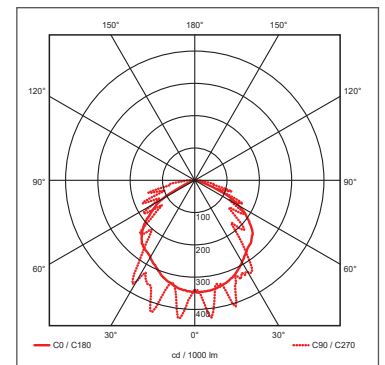
Open Areas

Mounting Height	Axial/Wall	Axial/Axial	Transverse/Axial	Transverse/Transverse	Transverse/Wall
2.0m	2.5	6.5	6.5	5.5	2
2.5m	3	7	7	5.5	2
3.0m	3	7	7	5.6	2.4

Illuminance values based on a maintenance factor of 0.8



Main (AC)



Emergency (DC)

