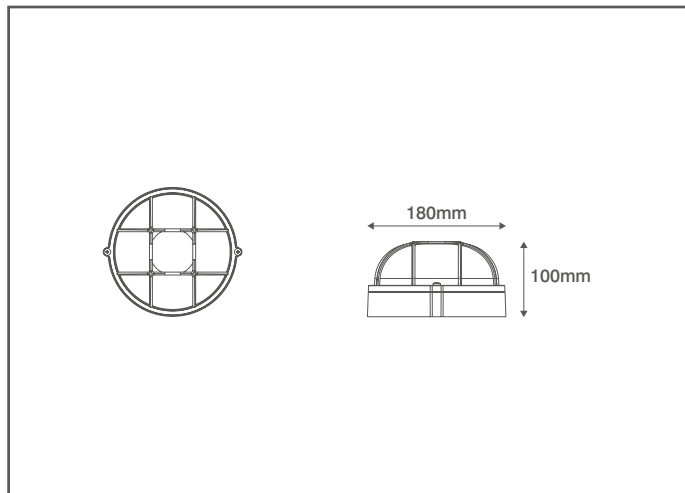


Product Code: OVOL415WH

Description: 60W Max. E27 Round Bulkhead With Guard - IP54 - White



### General Information

Dimensions	180mm Diameter x 100mm (D)
Materials	Housing: Powdercoated Aluminium Diffuser: Glass
Finish	White
Product Weight	1.333Kg
Ingress Protection	IP54
Mounting	Ceiling or Wall
Warranty	1 Year

### Supply & Power

Input Voltage & Frequency	230V~
Electrical Safety	Class I
Input Power	Lamp Dependant
Termination	In to lampholder terminals and earth terminal

### Luminaire Information

Lamp Type	E27 / ES
Lamp Wattage	60W Max.
Suitable Lamp Types	LED, Incandescent & Compact Fluorescent
Output Information	See information supplied with lamp being installed